



Manufactured by:
 Backyard Discovery
 3305 Airport Drive, Pittsburg, KS
 66762 800-856-4445

Basepoint Business Centre: Rivermead Drive, Westlea, Swindon SN5 7EX Phone: 0800-118-2476
 J.P. Coenstraat 7, The Bridge, The Hague, 2595 WP, Netherlands Phone: 08005678990

20x12 NORWOOD CARPORT/GAZEBO

MODEL # : 2207011



Please visit www.backyarddiscovery.com
 For the most up to date assembly manual, to register your product, or to order replacement parts *Para obtener instrucciones en español, visite* www.backyarddiscovery.com



EASY STEP-BY-STEP
 3D INTERACTIVE INSTRUCTIONS
 DOWNLOAD THE FREE APP



INSTALLATION
 SERVICES
 AVAILABLE!*

See inside for details

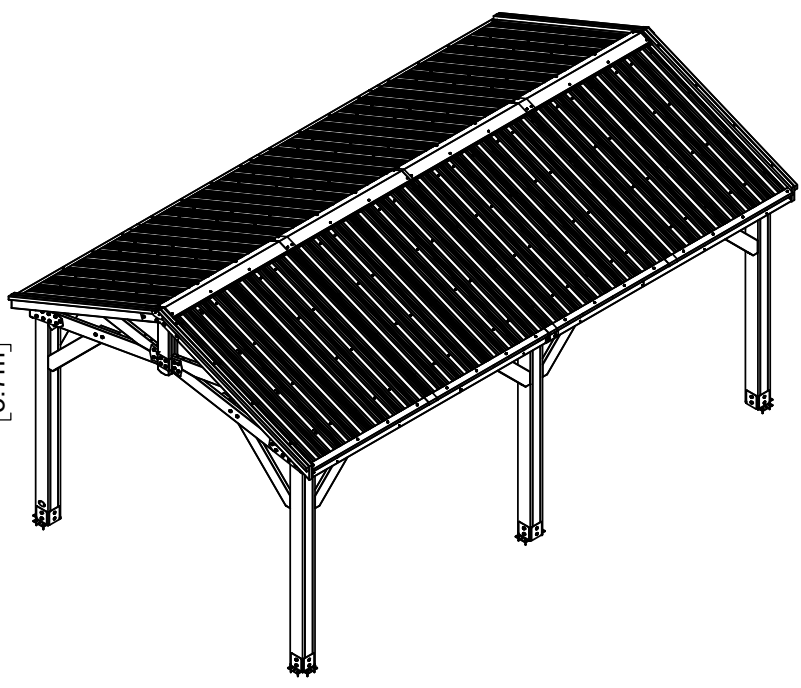
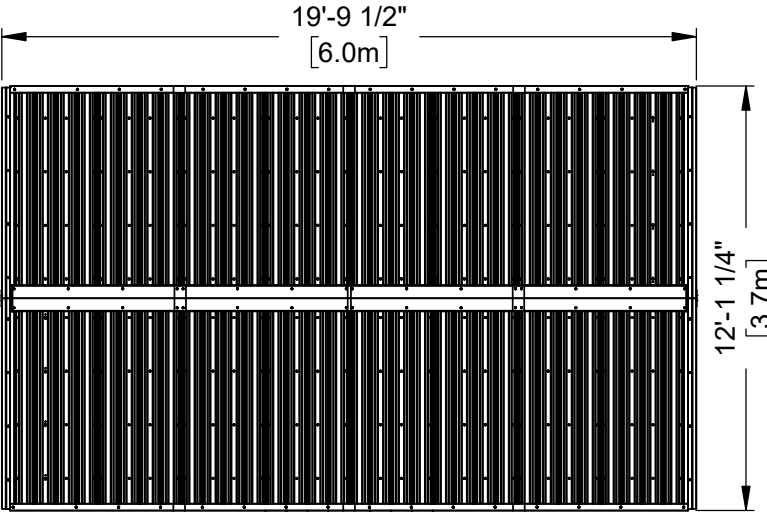
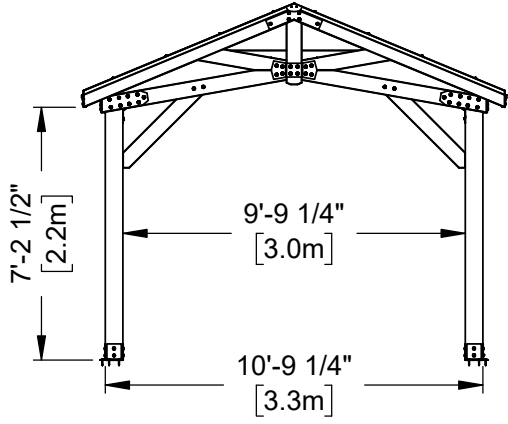
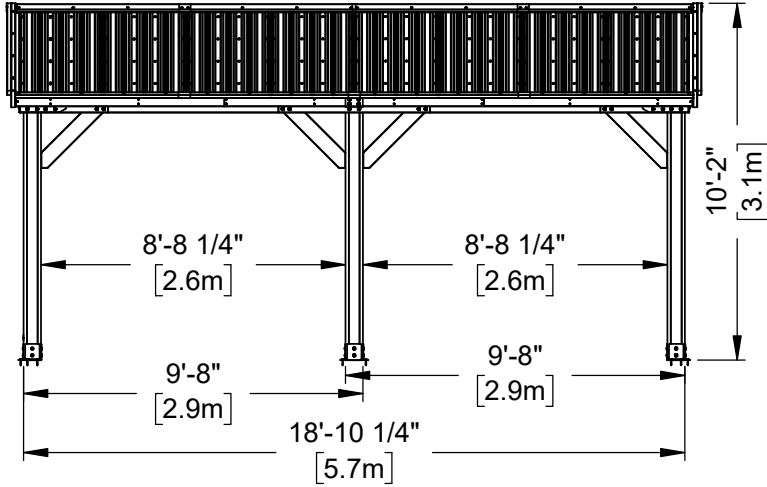
OWNER'S MANUAL - BASIC SETUP DIMENSIONS & ASSEMBLY NOTES

It is critically important that you start with square and level footings, concrete pad or deck to attach your structure

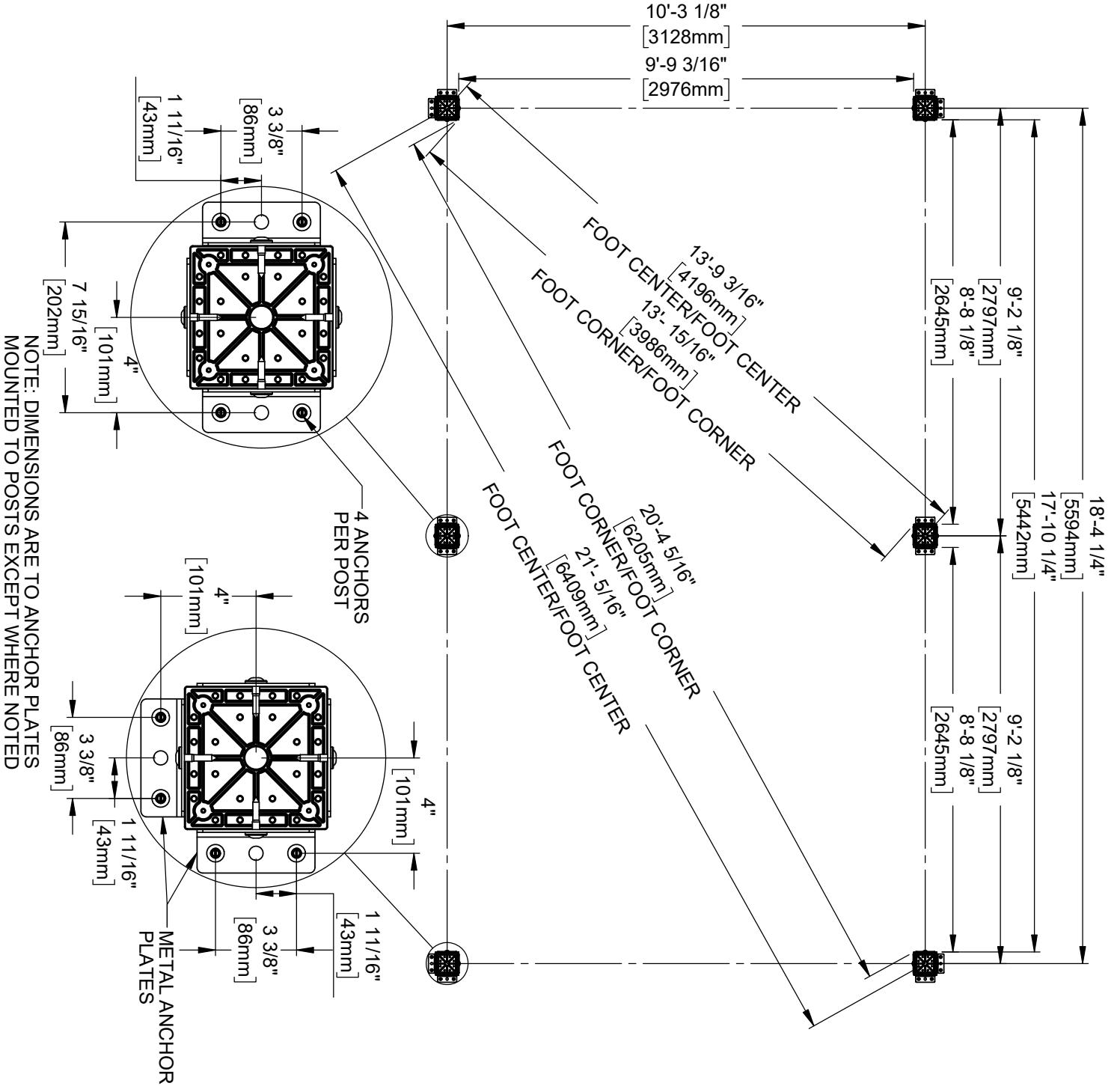
- Pay close attention to the items needed for each step. Make sure you are using the correct hardware for each step. Using incorrect hardware may result in improper assembly
- Remember to double check for underground utilities and overhead electrical lines

Post mounts are provided with your structure which allows you to permanently install your structure to a pre-existing or new wood or concrete surface. See Anchor Instructions for further details and recommendations.

- The hardware to attach the post mounts to the structure is included.
- The hardware to mount the structure permanently to a concrete surface is included.
- The hardware to mount the structure permanently to a wood deck is NOT included and will need to be purchased separately. You must ensure there is ample structural support under the deck before permanently attaching.



OWNER'S MANUAL - ANCHORING LAYOUT



OWNER'S MANUAL - PARTS IDENTIFICATION

WOOD COMPONENTS (NOT TO SCALE)



D01 GABLE BOARD - W4L16415
(x8) 1 3/8"x5 1/4"x24 5/8" (36x134x625)



D02 TOP RAIL - W4L16379
(x4) 1 3/8"x5 1/4"x30 3/8" (36x134x770)



D03 TOP RAIL - W4L16380
(x4) 1 3/8"x5 1/4"x68 7/8" (36x134x1749)



D04 CORBEL - W4L16944
(x8) 1 3/8"x5 1/4"x35 7/8" (36x134x910)



D05 GABLE BOARD - W4L16753
(x4) 1 3/8"x1 1/2"x5 1/4" (36x38x134)



D06 CORBEL - W4L16375
(x3) 1 3/8"x5 1/4"x45 5/8" (36x134x1160)



D07 TOP RAIL - W4L16381
(x2) 1 3/8"x5 1/4"x51 3/4" (36x134x1316)



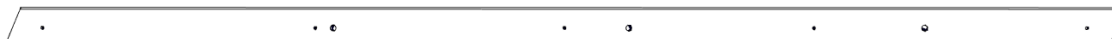
E01 RAFTER - W4L16382
(x8) 1 3/8"x3 3/8"x77 3/8" (36x86x1965)



E08 RAFTER - W4L16755
(x8) 1 3/8"x3 3/8"x77 3/8" (36x86x1965)



E09 ACCESSORY TRUSS - W4L16756
(x8) 1 3/8"x3 3/8"x73 7/8" (36x86x1875)



F01 TRUSS - W4L16414
(x4) 1 3/8"x2 3/8"x75 1/8" (36x60x1907)



F02 TRUSS - W4L16378
(x4) 1 3/8"x2 3/8"x68" (36x60x1727)



H01 FASCIA - W4L16383
(x4) 1"x3 3/8"x68 5/8" (24x86x1742)



H02 FASCIA - W4L16384
(x4) 1"x3 3/8"x38 1/2" (24x86x978)



H03 FASCIA - W4L16385
(x4) 1"x3 3/8"x72 3/4" (24x86x1849)

OWNER'S MANUAL - PARTS IDENTIFICATION

WOOD COMPONENTS (NOT TO SCALE)



H04 FASCIA - W4L16386
(x4) 1"x3 3/8"x44 3/8" (24x86x1128)



H05 SHEATHING BOARD - W4L16392
(x8) 1"x3 3/8"x72 3/4" (24x86x1849)



H06 SHEATHING BOARD - W4L16393
(x8) 1"x3 3/8"x74 3/8" (24x86x1888)



H07 SHEATHING BOARD - W4L16394
(x8) 1"x3 3/8"x42 3/4" (24x86x1085)



H08 SHEATHING BOARD - W4L16395
(x8) 1"x3 3/8"x44 1/4" (24x86x1124)



J01 STIFFENER BOARD - W4L16401
(x4) 1"x2 3/8"x68 5/8" (24x60x1744)



J02 STIFFENER BOARD - W4L16402
(x4) 1"x2 3/8"x47" (24x60x1194)



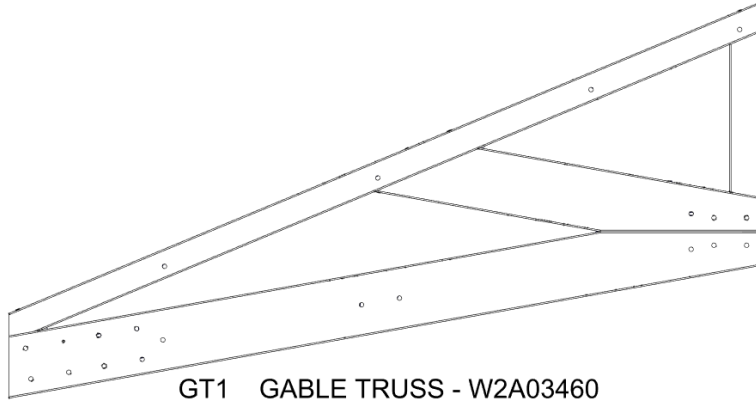
GP1 GABLE PANEL - W2A03379
(x2) 2 13/16"x5 1/4"x80 3/16" (72x134x2037)



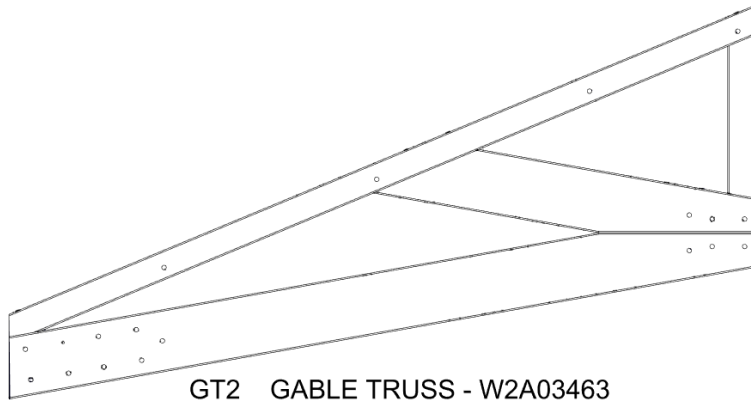
GP2 GABLE PANEL - W2A03380
(x2) 2 13/16"x5 1/4"x80 3/16" (72x134x2037)

OWNER'S MANUAL - PARTS IDENTIFICATION

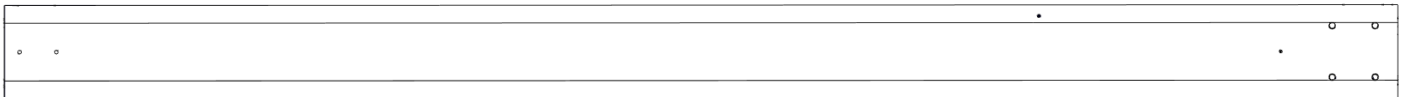
WOOD COMPONENTS (NOT TO SCALE)



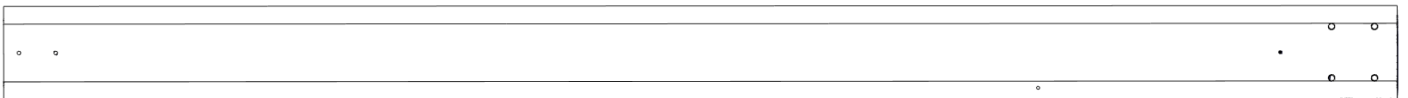
GT1 GABLE TRUSS - W2A03460
(x4) 1 3/8"x34"x64 5/8" (36x864x845)



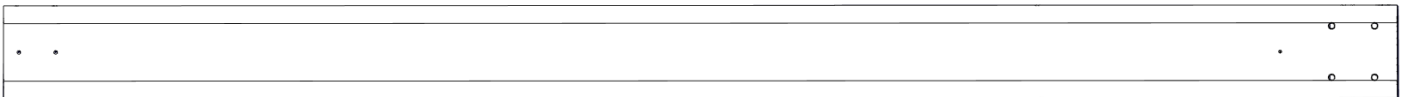
GT2 GABLE TRUSS - W2A03463
(x4) 1 3/8"x34"x64 5/8" (36x864x1678)



P01 POST - W2A03456
(x2) 6"x6"x89 1/2" (152x152x2274)



P02 POST - W2A03457
(x2) 6"x6"x89 1/2" (152x152x2274)



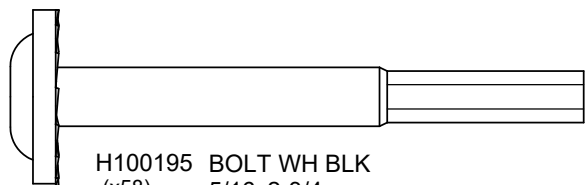
P03 POST - W2A03458
(x2) 6"x6"x89 1/2" (152x152x2274)



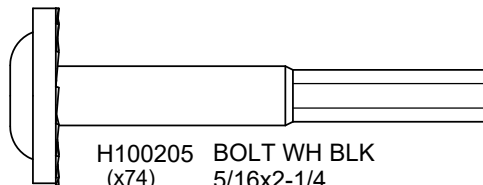
CA01 CORBEL WITH TAG - W2A03461
(x1) 1 3/8"x5 1/4"x45 5/8" (36x134x1160)

OWNER'S MANUAL - PARTS IDENTIFICATION

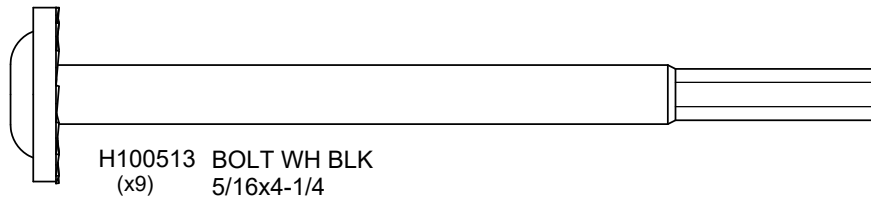
Hardware Components



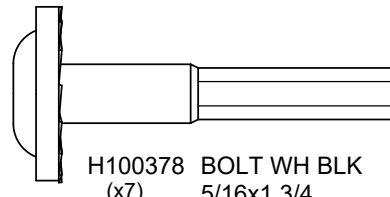
H100195 BOLT WH BLK
(x58) 5/16x2-3/4



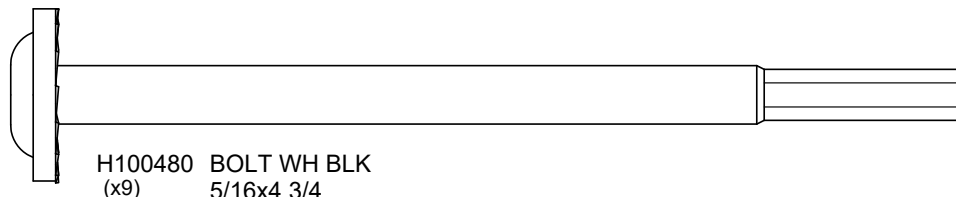
H100205 BOLT WH BLK
(x74) 5/16x2-1/4



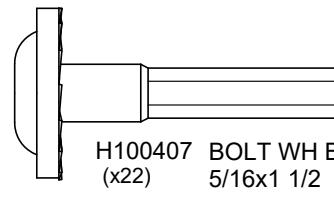
H100513 BOLT WH BLK
(x9) 5/16x4-1/4



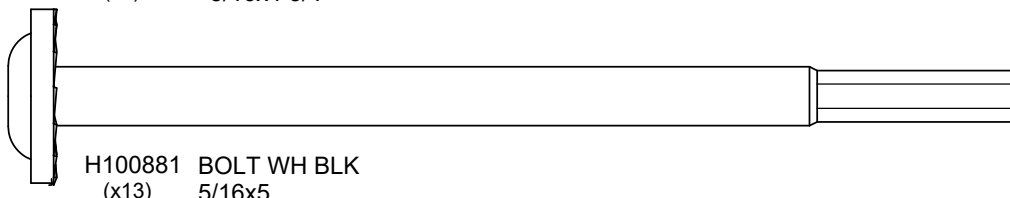
H100378 BOLT WH BLK
(x7) 5/16x1 3/4



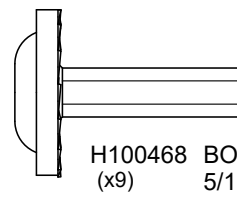
H100480 BOLT WH BLK
(x9) 5/16x4 3/4



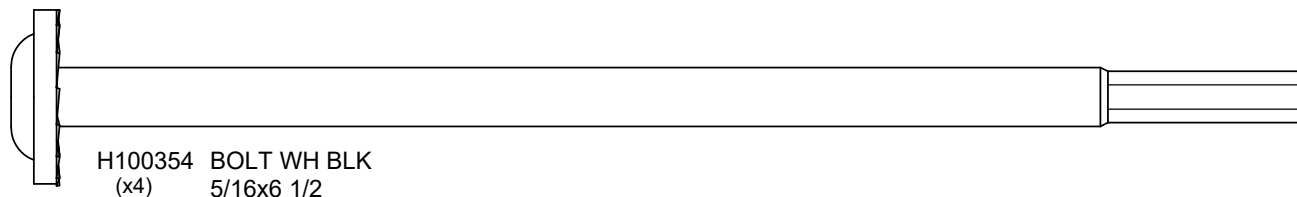
H100407 BOLT WH BLK
(x22) 5/16x1 1/2



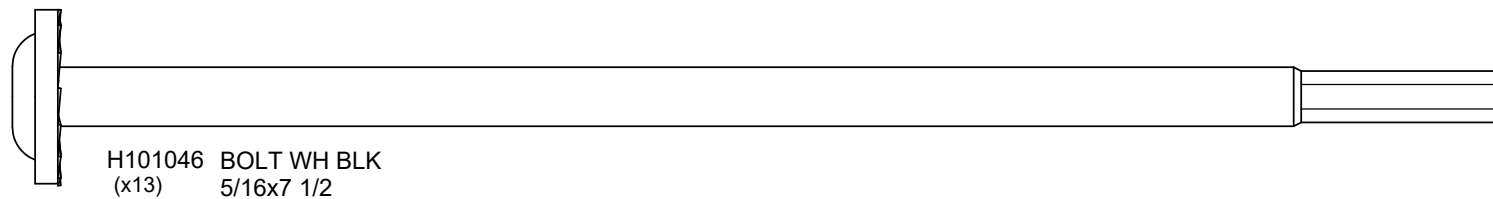
H100881 BOLT WH BLK
(x13) 5/16x5



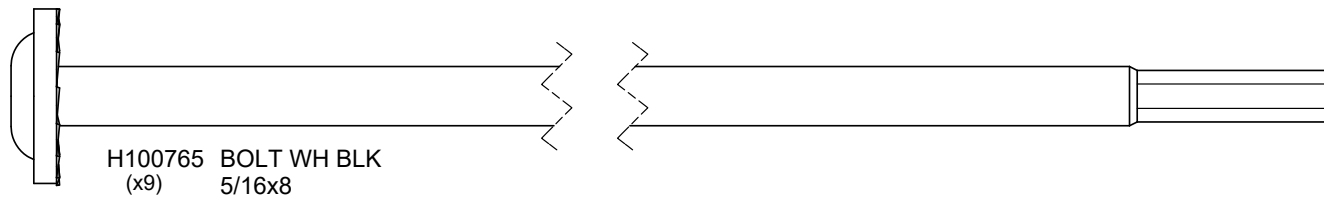
H100468 BOLT WH BLK
(x9) 5/16x1



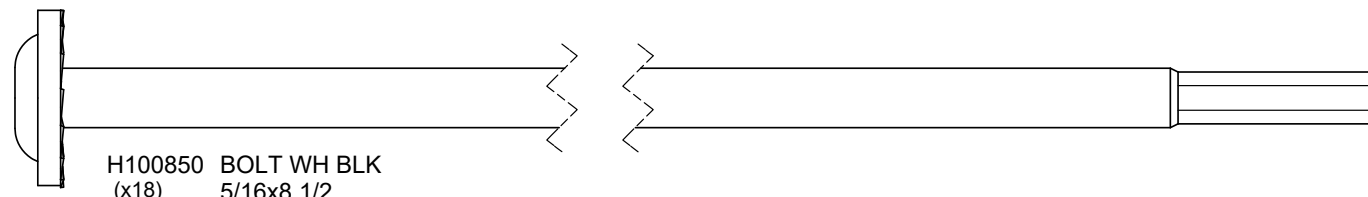
H100354 BOLT WH BLK
(x4) 5/16x6 1/2



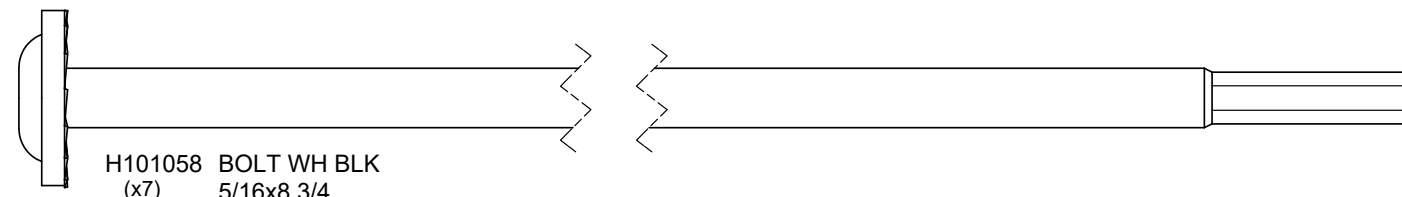
H101046 BOLT WH BLK
(x13) 5/16x7 1/2



H100765 BOLT WH BLK
(x9) 5/16x8



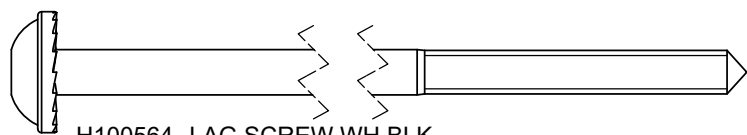
H100850 BOLT WH BLK
(x18) 5/16x8 1/2



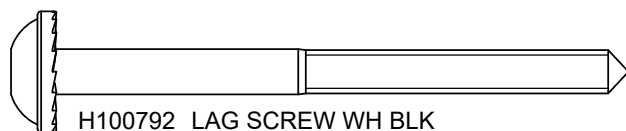
H101058 BOLT WH BLK
(x7) 5/16x8 3/4

OWNER'S MANUAL - PARTS IDENTIFICATION

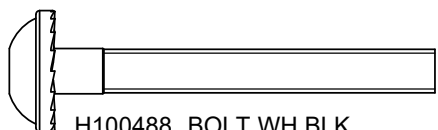
Hardware Components



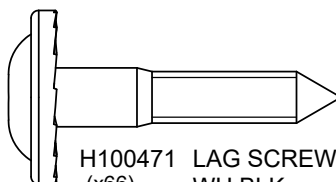
H100564 LAG SCREW WH BLK
(x13) 1/4x4



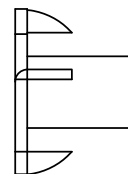
H100792 LAG SCREW WH BLK
(x13) 1/4x3



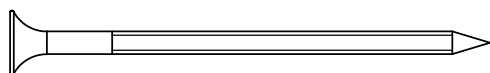
H100488 BOLT WH BLK
(x18) 1/4x2



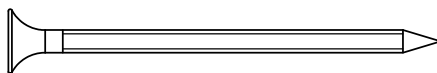
H100471 LAG SCREW
WH BLK
(x66) 5/16x1 1/2



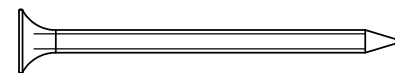
H100379 T-NUT BLK
(x114) 5/16



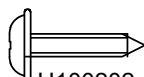
H100201 SCREW PFH BLK
(x22) 8x2-1/2



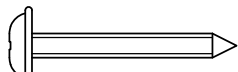
H100483 SCREW PFH BLK
(x9) 8x2 1/4



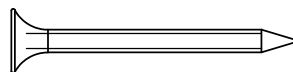
H100391 SCREW PFH BLK
(x200) 8x2



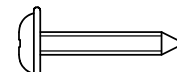
H100202 SCREW PWH BLK
(x2) 8x5/8



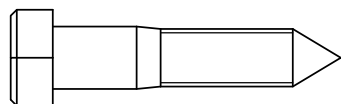
H100797 SCREW PWH BLK
(x35) 8x1



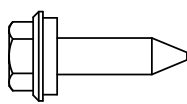
H100200 SCREW PFH BLK
(x30) 8x1 1/2



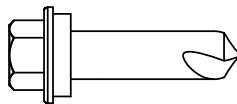
H100392 SCREW PWH BLK
(x52) 8x3/4



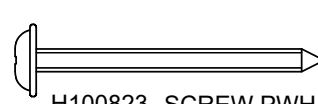
H100659 LAG SCREW BLK
(x7) 5/16x1 1/2



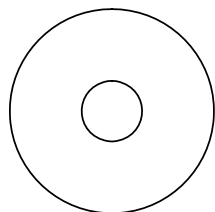
H100833 SCREW
WOODGRIP
(x308) 10x3/4



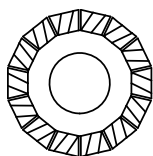
H100759 SCREW
TAPPING
(x35) 1/4x1



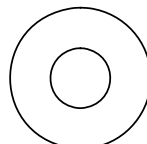
H100823 SCREW PWH BLK
(x17) 8x1-1/2



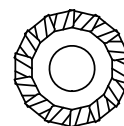
H100478 WASHER FLAT
BLK
(x134) 8x27



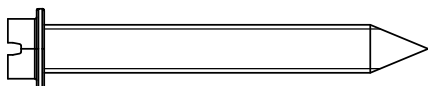
H100198 WASHER LOCK
EXT BLK 8x19
(x108)



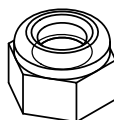
H100630 WASHER FLAT
BLK
(x44) 8x19



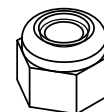
H100405 WASHER LOCK
EXT BLK 6x15
(x26)



H100120 SCREW CONCRETE ANCHOR
(x26) 1/4x2



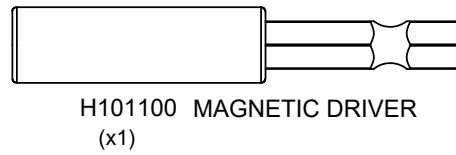
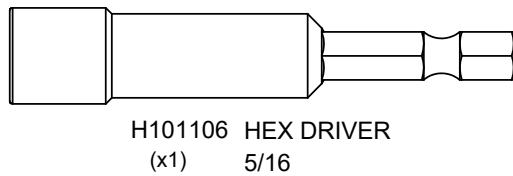
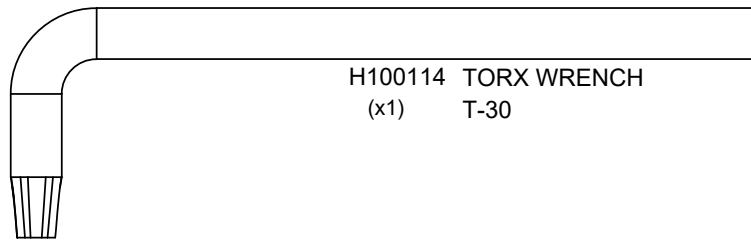
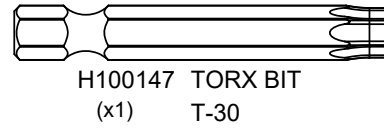
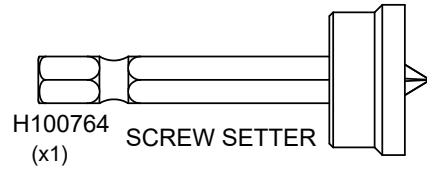
H100479 NUT LOCK BLK
(x126) 5/16



H100653 NUT LOCK BLK
(x18) 1/4

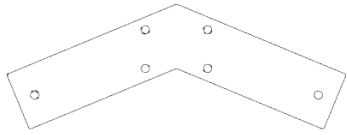
OWNER'S MANUAL - PARTS IDENTIFICATION

Hardware Components

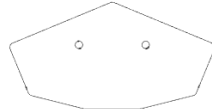


OWNER'S MANUAL - PARTS IDENTIFICATION

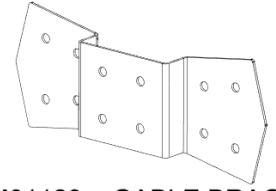
ACCESSORY COMPONENTS (NOT TO SCALE)



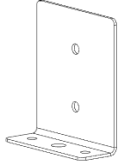
A4M01130 GABLE BRACKET
(x2)



A4M01147 PEAK SEAM BRACKET
(x2)



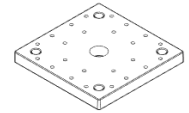
A4M01129 GABLE BRACKET
(x6)



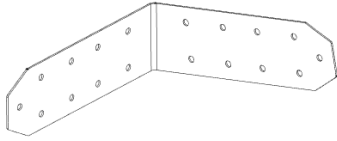
A4M00977 POST ANCHORING PLATE
(x12)



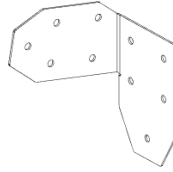
A4M00978 POST PLATE
(x12)



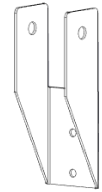
A6P00308 6x6 POST FOOT
(x6)



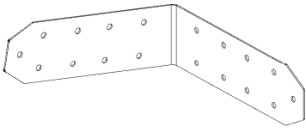
A4M01554 RIGHT OUTSIDE BRACKET
(x2)



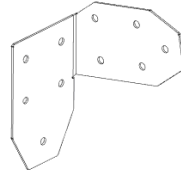
A4M01232 LEFT ANGLE BRACKET
(x2)



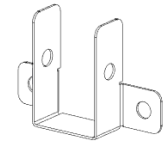
A4M01228 RAFTER BRACKET
(x16)



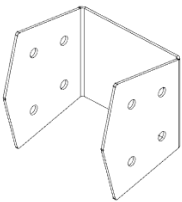
A4M01555 LEFT OUTSIDE BRACKET
(x2)



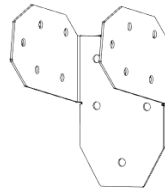
A4M01233 RIGHT ANGLE BRACKET
(x2)



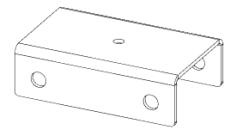
A4M01148 TRUSS BRACKET
(x4)



A4M01510 GABLE TIE BRACKET
(x2)



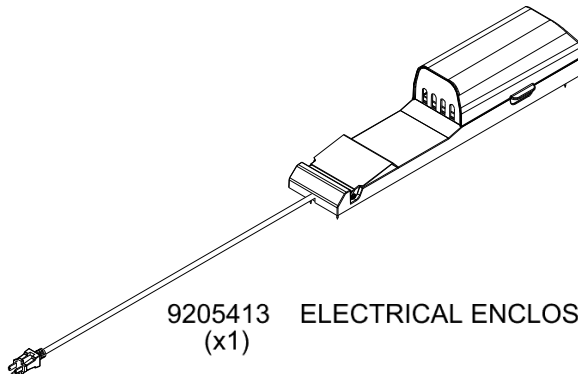
A4M01558 MID POST BRACKET
(x2)



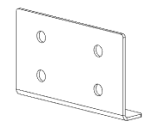
A4M01559 U TIE BRACKET
(x1)



A100241 ID TAG
(x1)



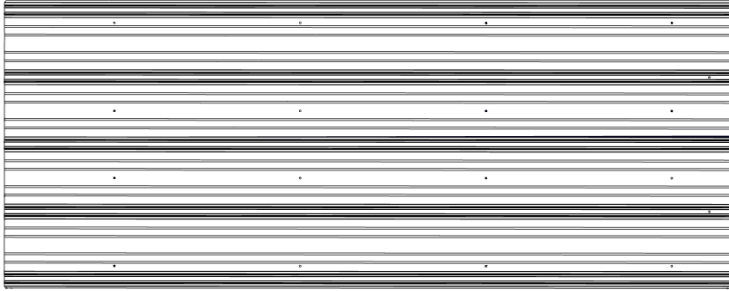
9205413 ELECTRICAL ENCLOSURE
(x1)



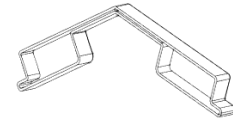
A4M01560 OUTSIDE TIE BRACKET
(x2)

OWNER'S MANUAL - PARTS IDENTIFICATION

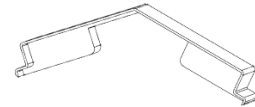
ACCESSORY COMPONENTS (NOT TO SCALE)



A4M01124 29 GA STEEL SHEETING
(x14)



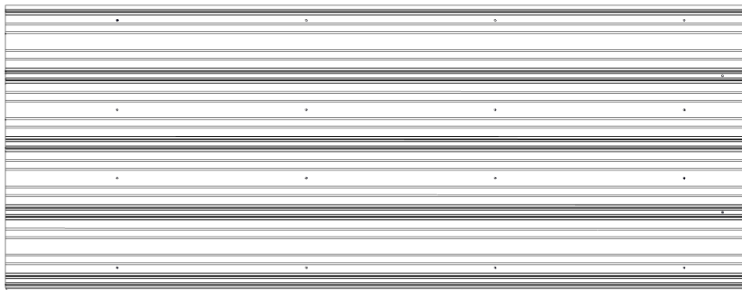
A6P00398 RIDGE CAP PROTECTOR
(x2)



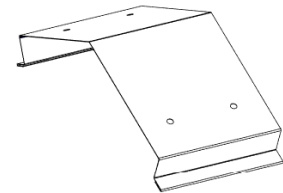
A6P00514 MID RIDGE CAP PROTECTOR
(x1)



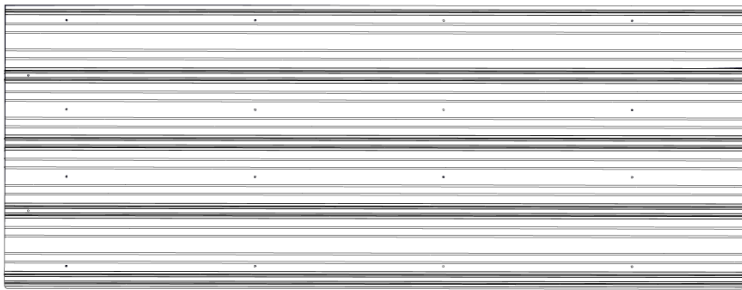
A4M00983 ROOF EDGE TRIM SPLICE
(x6)



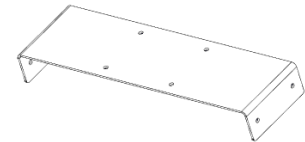
A4M01715 29 GA STEEL SHEETING
(x1)



A4M01127 RIDGE CAP SPLICE
(x2)



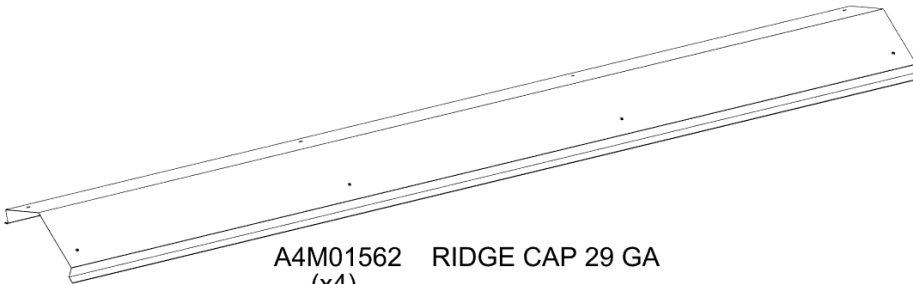
A4M01718 29 GA STEEL SHEETING
(x1)



A4M01594 SHEETING BRACKET
(x4)



A4M01561 ROOF EDGE TRIM
(x8)



A4M01562 RIDGE CAP 29 GA
(x4)



A4M01592 ROOF END TRIM
(x2)



A4M01593 ROOF END TRIM
(x2)

PRE-ASSEMBLY STEP 1 - SORTING PARTS

It is critical for ease of assembly that you take the time to sort and organize the wood and hardware.

WOOD PARTS:

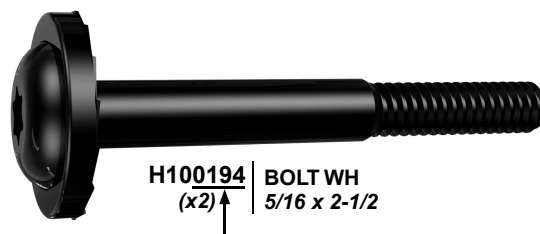
- Organize wood parts by the three-digit, alpha-numeric number stamped on each board (ex. P01).
- If there are multiple boards with the same stamped number, stack those pieces together.
- Stamps can be found on the flat surface of the boards or on the end of the boards.
- Allow yourself plenty of room - the wood pieces can take up a significant amount of space.

NOTE: CARTONS ARE NOT ORGANIZED BY BOARD NUMBER.



HARDWARE PARTS:

- We recommend that you have a separate table to organize the hardware.
- Hardware bags are printed with a seven-digit, alpha-numeric part number.
- You can organize your hardware by part number or group by hardware type (i.e. bolts, nuts, etc.).
- During assembly you only need to reference the last four digits of the number.



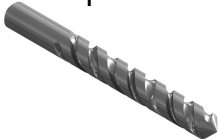
PRE-ASSEMBLY STEP 2 - TOOLS REQUIRED



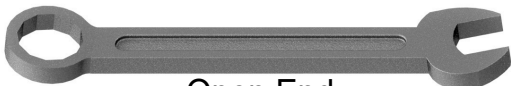
Cordless Drill
or Electric Drill



Drill
Attachments:
Phillips Head



1/8", 3/16", 3/8" &
7/16" Drill Bits



Open End
Wrenches 1/2" &
9/16"



3/8" Drive Ratchet, 1/2" &
7/16" STD Sockets 1/2" & 7/16"
Deep Sockets



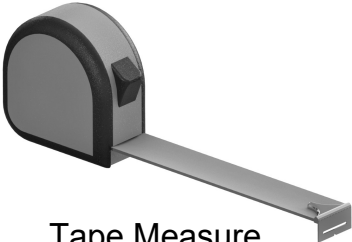
Phillips Screw Driver



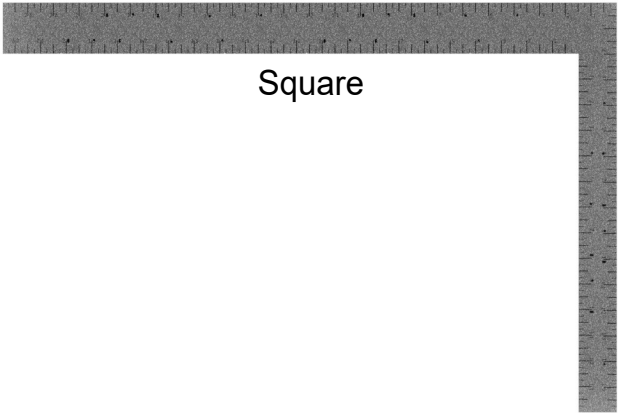
Claw Hammer



Rubber Mallet
- Optional



Tape Measure



Square




Level 24"

PRE-ASSEMBLY STEP 3 - CHOOSE YOUR ASSEMBLY METHOD

There are several types of assembly instructions available to you.

1. Printed Assembly Manual included with your set
2. BILT APP - 3D interactive instructions
3. Combination of the Printed Manual and BILT APP (Note: Step numbers can differ between the two methods)



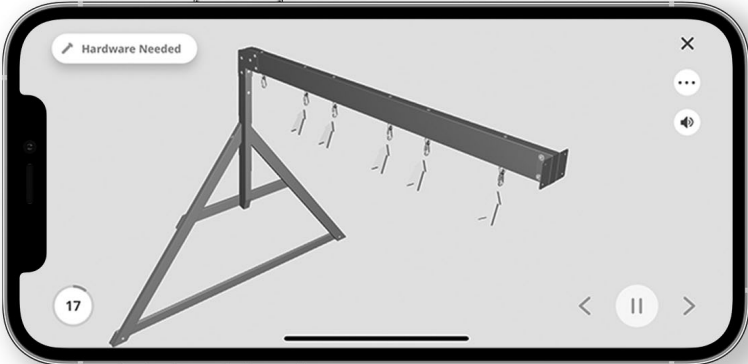
BILT[®]

Scan for easy
3D instructions

Download the BILT app
before you begin

Download on the
App Store

GET IT ON
Google Play



Hardware Needed

17

< || >

The image shows a smartphone screen displaying a 3D assembly instruction. The screen features a 3D model of a metal frame with a horizontal bar and several hanging components. A 'Hardware Needed' button is visible in the top left corner of the app interface. The number '17' is shown in a circle in the bottom left corner, and navigation arrows are in the bottom right corner.

STEP 4 - POST ASSEMBLY

QTY	PART NUMBER	DESCRIPTION
12	H100200	SCREW PFH 8x1 1/2 BLK



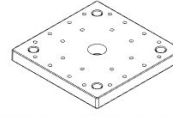
P01 POST - W2A03456
(x1) 6"x6"x89 1/2" (152x152x2274)



P02 POST - W2A03457
(x1) 6"x6"x89 1/2" (152x152x2274)

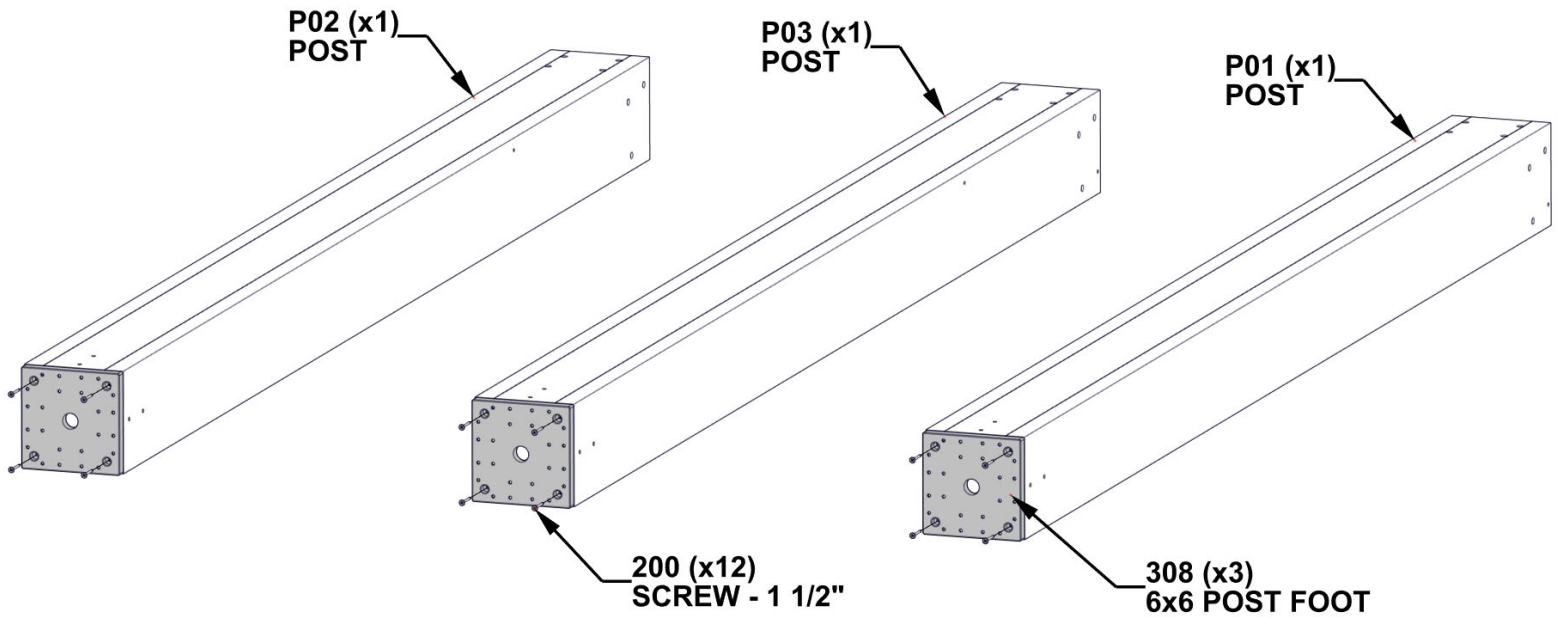


P03 POST - W2A03458
(x1) 6"x6"x89 1/2" (152x152x2274)



A6P00308 6x6 POST FOOT
(x3)

FOR EASE OF ASSEMBLY, WE RECOMMEND USING SAW HORSES FOR STEPS 4 - 17.



ALIGN POST FOOT AND DRILL 1/8" PILOT HOLES FOR THE ATTACHMENT OF HARDWARE.

STEP 5 - END GABLE ASSEMBLY

QTY	PART NUMBER	DESCRIPTION
2	H100483	SCREW PFH 8x2 1/4 BLK

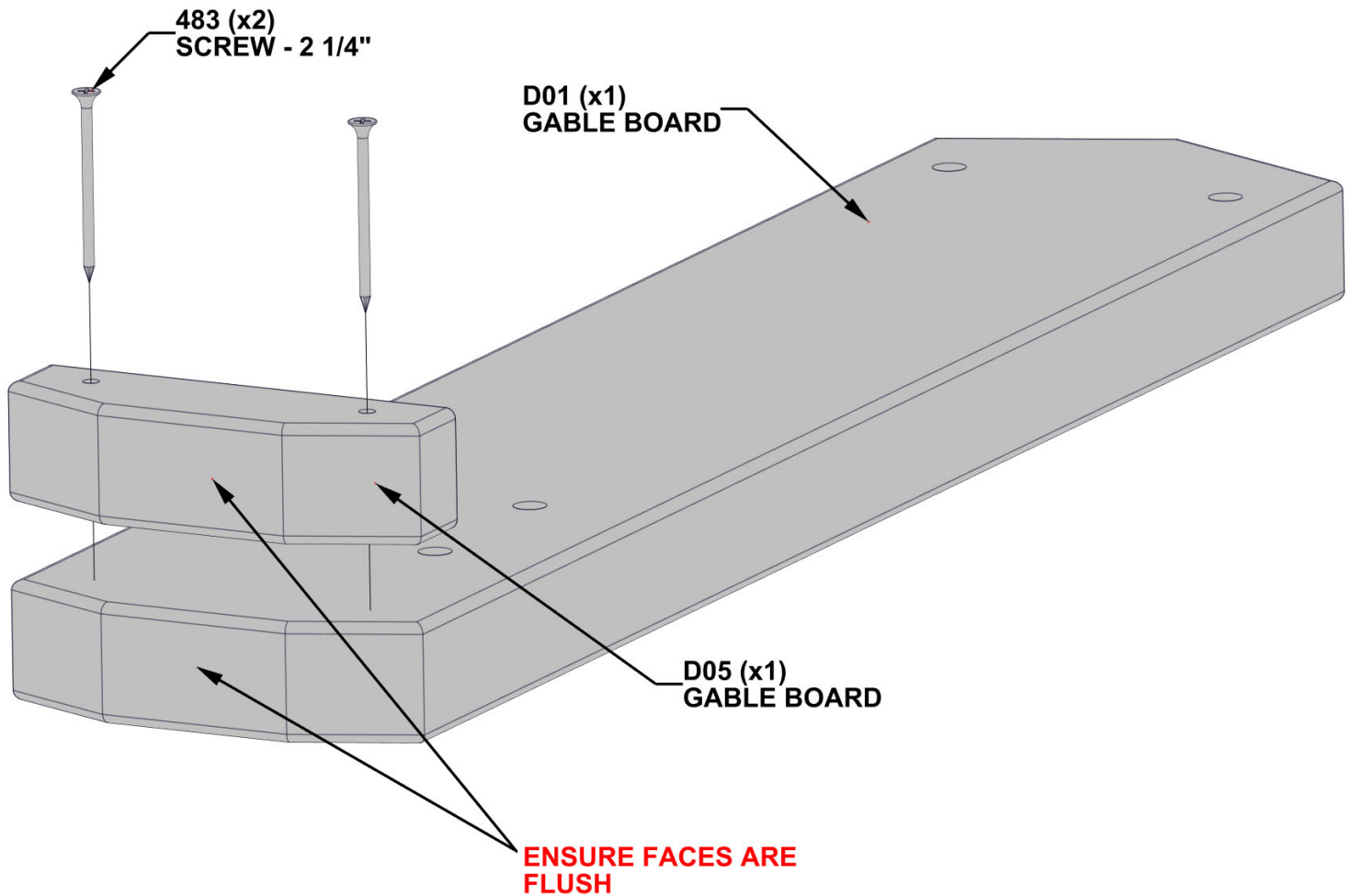


D01 GABLE BOARD - W4L16415
(x1) 1 3/8"x5 1/4"x24 5/8" (36x134x625)



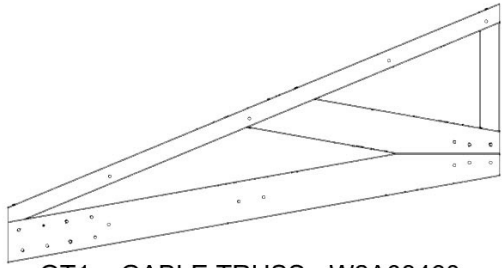
D05 GABLE BOARD - W4L16753
(x1) 1 3/8"x1 1/2"x5 1/4" (36x38x134)

ALIGN D05 WITH D01 ENSURING THAT BOTTOM FACES ARE FLUSH. DRILL 1/8" PILOT HOLES IN D01 USING D05 AS TEMPLATE.



STEP 6 - END GABLE ASSEMBLY

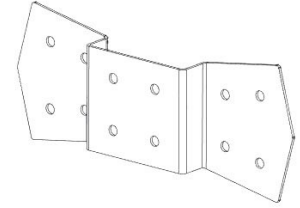
QTY	PART NUMBER	DESCRIPTION
4	H100478	WASHER FLAT 8x27 BLK
4	H100479	NUT LOCK 5/16 BLK
4	H100881	BOLT WH 5/16x5 BLK



GT1 GABLE TRUSS - W2A03460
(x2) 1 3/8"x34"x64 5/8" (36x864x845)

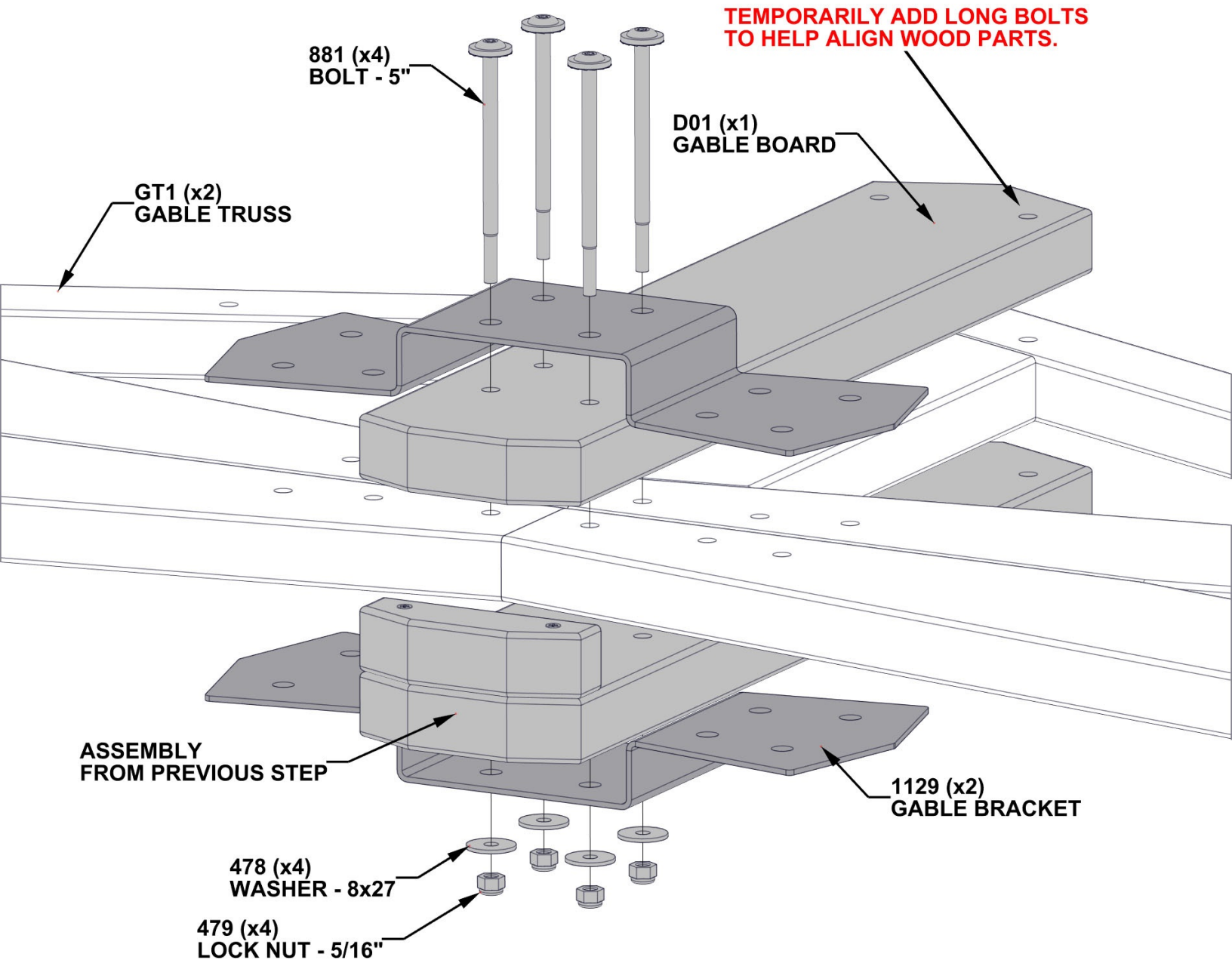


D01 GABLE BOARD - W4L16415
(x1) 1 3/8"x5 1/4"x24 5/8" (36x134x625)



A4M01129 GABLE BRACKET
(x2)

IF NEEDED FOR EASE OF ASSEMBLY, USE METAL BRACKET AS A GUIDE AND DRILL THROUGH USING A 7/16" - (10mm) DRILL BIT, THEN ASSEMBLE.



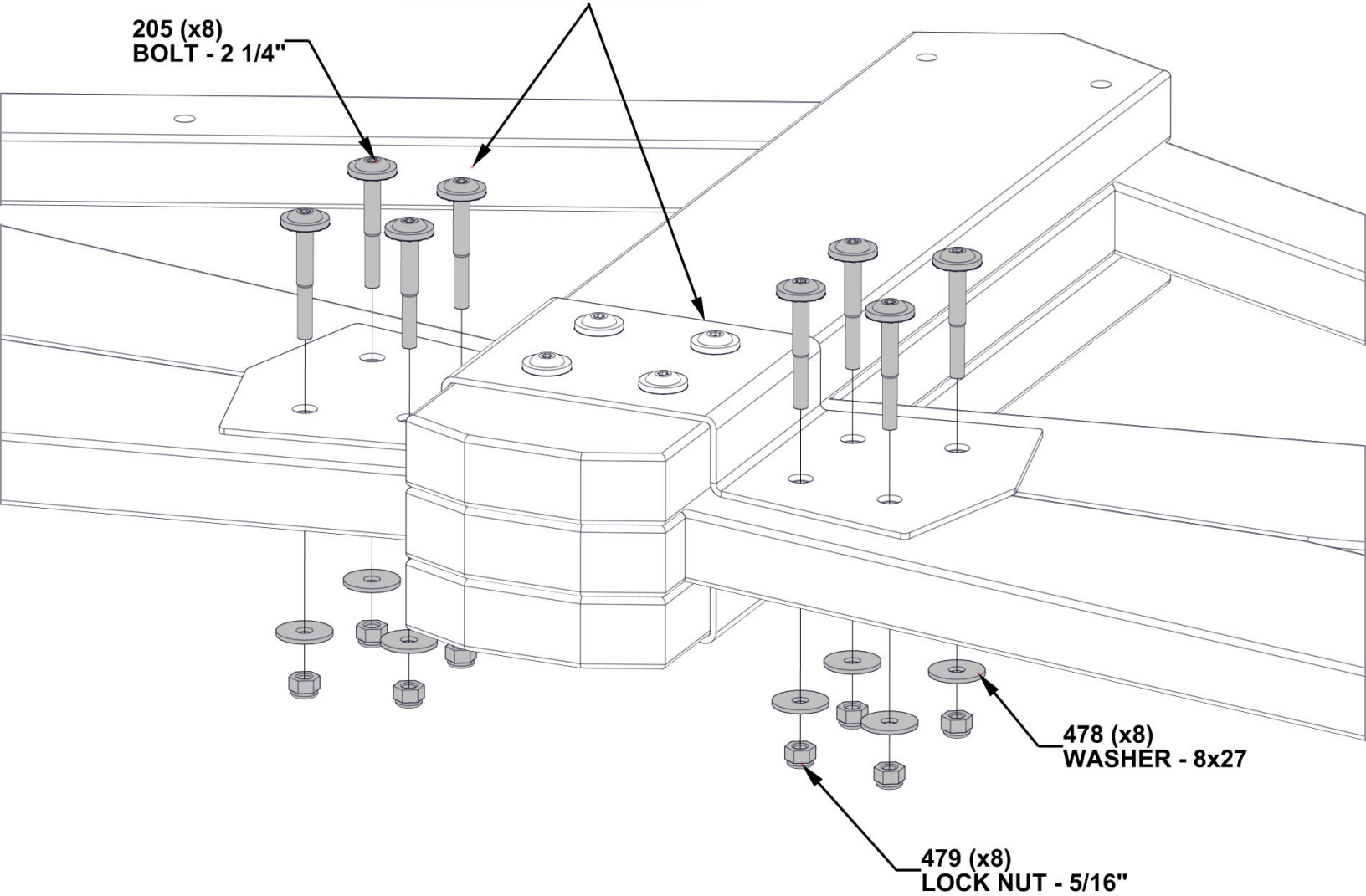
STEP 7 - END GABLE ASSEMBLY

QTY	PART NUMBER	DESCRIPTION
8	H100205	BOLT WH 5/16x2 1/4 BLK
8	H100478	WASHER FLAT 8x27 BLK
8	H100479	NUT LOCK 5/16 BLK

IF NEEDED FOR EASE OF ASSEMBLY, USE METAL BRACKET AS A GUIDE AND DRILL THROUGH USING A 7/16" - (10mm) DRILL BIT, THEN ASSEMBLE.

ENSURE THAT ALL BOLT HEADS ARE ON THE SAME SIDE.

**205 (x8)
BOLT - 2 1/4"**



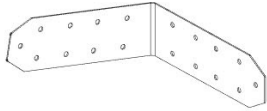
**478 (x8)
WASHER - 8x27**

**479 (x8)
LOCK NUT - 5/16"**

STEP 8A - END GABLE ASSEMBLY

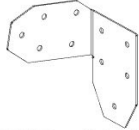
QTY	PART NUMBER	DESCRIPTION
5	H100205	BOLT WH 5/16x2 1/4 BLK
8	H100379	T-NUT 5/16 BLK
5	H100407	BOLT WH 5/16x1 1/2 BLK
1	H100471	LAG SCREW WH 5/16x1 1/2 BLK
10	H100478	WASHER FLAT 8x27 BLK
9	H100479	NUT LOCK 5/16 BLK
1	H100659	LAG SCREW HEX 5/16x1 1/2 BLK
4	H100850	BOLT WH 5/16x8 1/2 BLK
3	H101046	BOLT WH 5/16x7 1/2 BLK

P01 POST - W2A03456
(x1) 6"x6"x89 1/2" (152x152x2274)



A4M01555 LEFT OUTSIDE BRACKET
(x1)

D02 TOP RAIL - W4L16379
(x1) 1 3/8"x5 1/4"x30 3/8" (36x134x770)

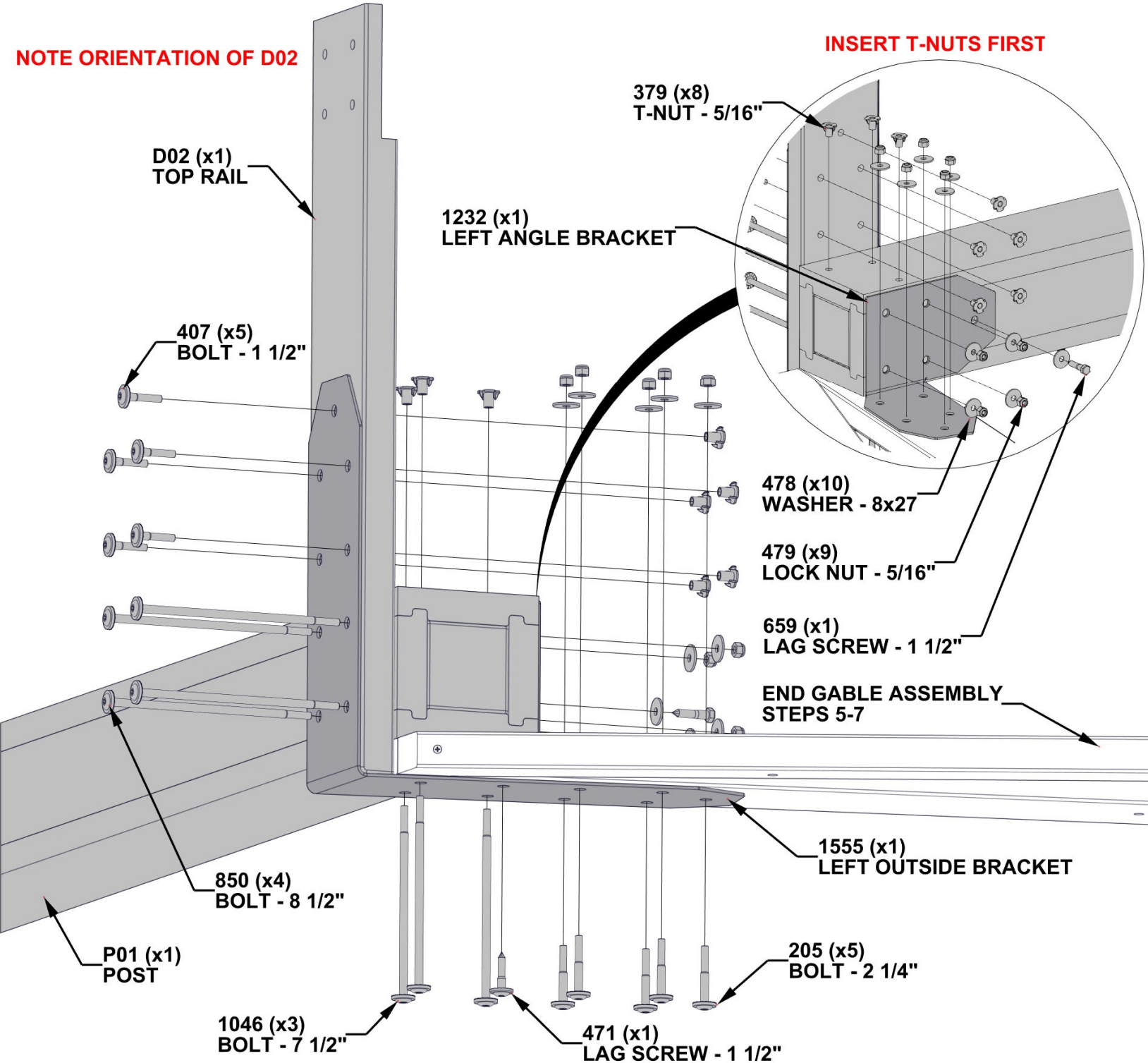


A4M01232 LEFT ANGLE BRACKET
(x1)

WHEN ORIENTING END GABLE ASSEMBLY, ENSURE THAT THE SIDE WITH BOLT HEADS FACES OUT.

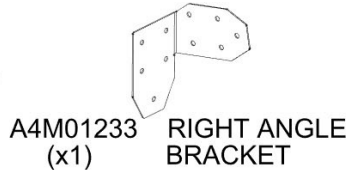
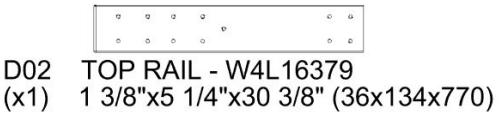
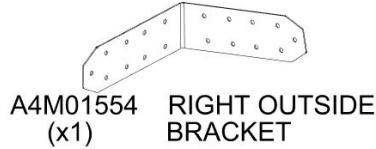
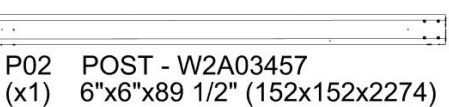
NOTE ORIENTATION OF D02

INSERT T-NUTS FIRST



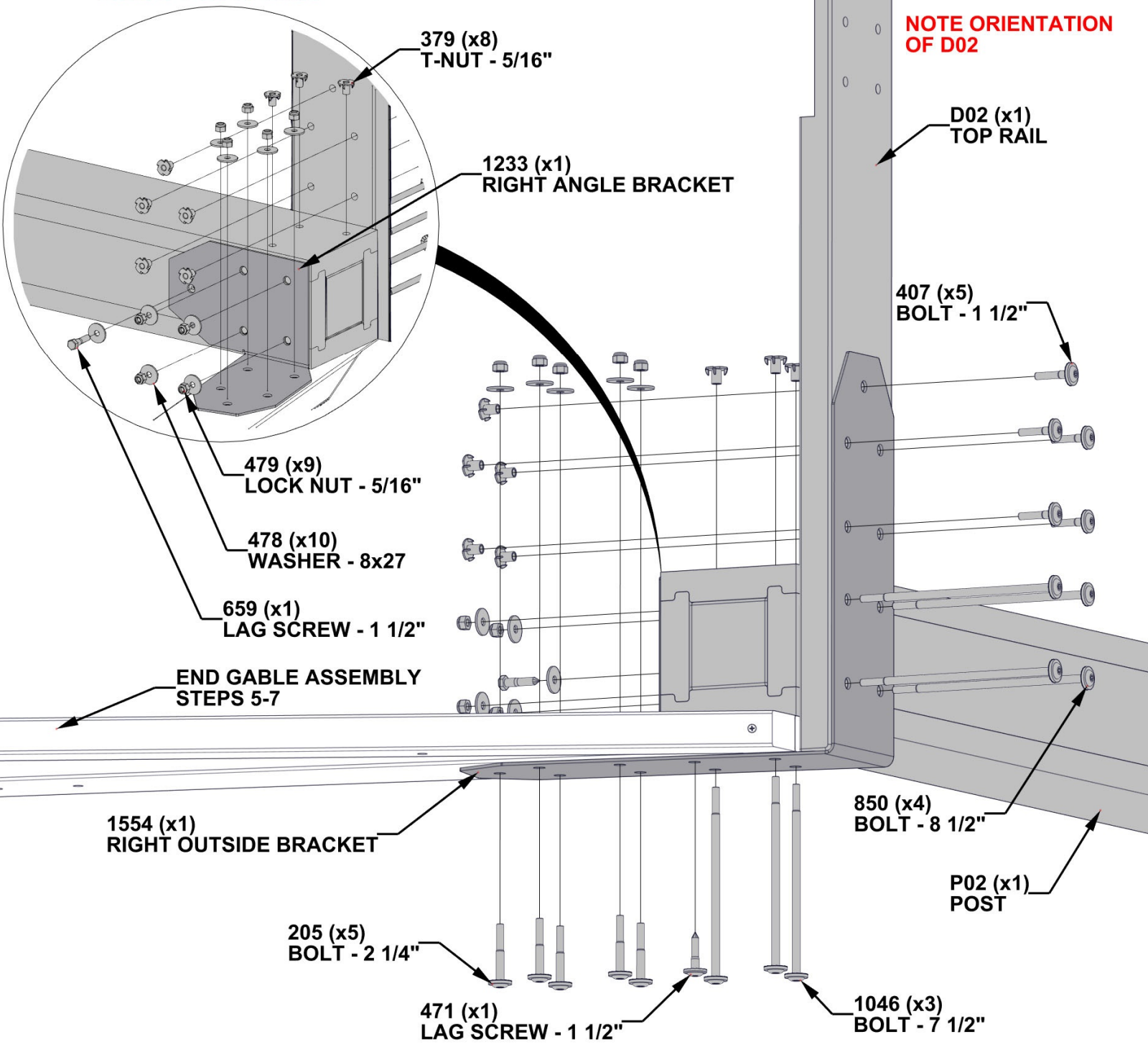
STEP 8B - END GABLE ASSEMBLY

QTY	PART NUMBER	DESCRIPTION
5	H100205	BOLT WH 5/16x2 1/4 BLK
8	H100379	T-NUT 5/16 BLK
5	H100407	BOLT WH 5/16x1 1/2 BLK
1	H100471	LAG SCREW WH 5/16x1 1/2 BLK
10	H100478	WASHER FLAT 8x27 BLK
9	H100479	NUT LOCK 5/16 BLK
1	H100659	LAG SCREW HEX 5/16x1 1/2 BLK
4	H100850	BOLT WH 5/16x8 1/2 BLK
3	H101046	BOLT WH 5/16x7 1/2 BLK



WHEN ORIENTING END GABLE ASSEMBLY, ENSURE THAT THE SIDE WITH BOLT HEADS FACES OUT.

INSERT T-NUTS FIRST



STEP 9 - END GABLE ASSEMBLY

QTY	PART NUMBER	DESCRIPTION
4	H100195	BOLT WH 5/16x2 3/4 BLK
4	H100198	WASHER LOCK EXT 8x19
4	H100379	T-NUT 5/16 BLK
2	H100405	WASHER LOCK EXT 6x15
2	H100792	LAG SCREW WH 1/4x3 BLK



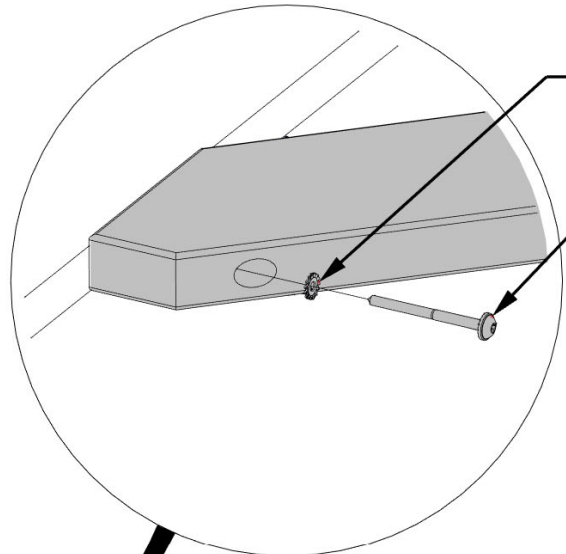
D06 CORBEL - W4L16375
(x3) 1 3/8"x5 1/4"x45 5/8" (36x134x1160)



CA01 CORBEL WITH TAG - W2A03461
(x1) 1 3/8"x5 1/4"x45 5/8" (36x134x1160)

TWO D06 BOARDS WILL BE USED FOR OTHER END GABLE.

INSERT T-NUTS FIRST



405 (x2)
WASHER - 6x15

792 (x2)
LAG SCREW - 3"

379 (x4)
T-NUT - 5/16"

198 (x4)
WASHER - 8x19

195 (x4)
BOLT-2 3/4"

CA01 (x1)
CORBEL WITH TAG

D06 (x1)
CORBEL

STEP 10 - END GABLE ASSEMBLY

QTY	PART NUMBER	DESCRIPTION
8	H100195	BOLT WH 5/16x2 3/4 BLK
8	H100198	WASHER LOCK EXT 8x19
8	H100379	T-NUT 5/16 BLK
2	H100405	WASHER LOCK EXT 6x15
2	H100792	LAG SCREW WH 1/4x3 BLK

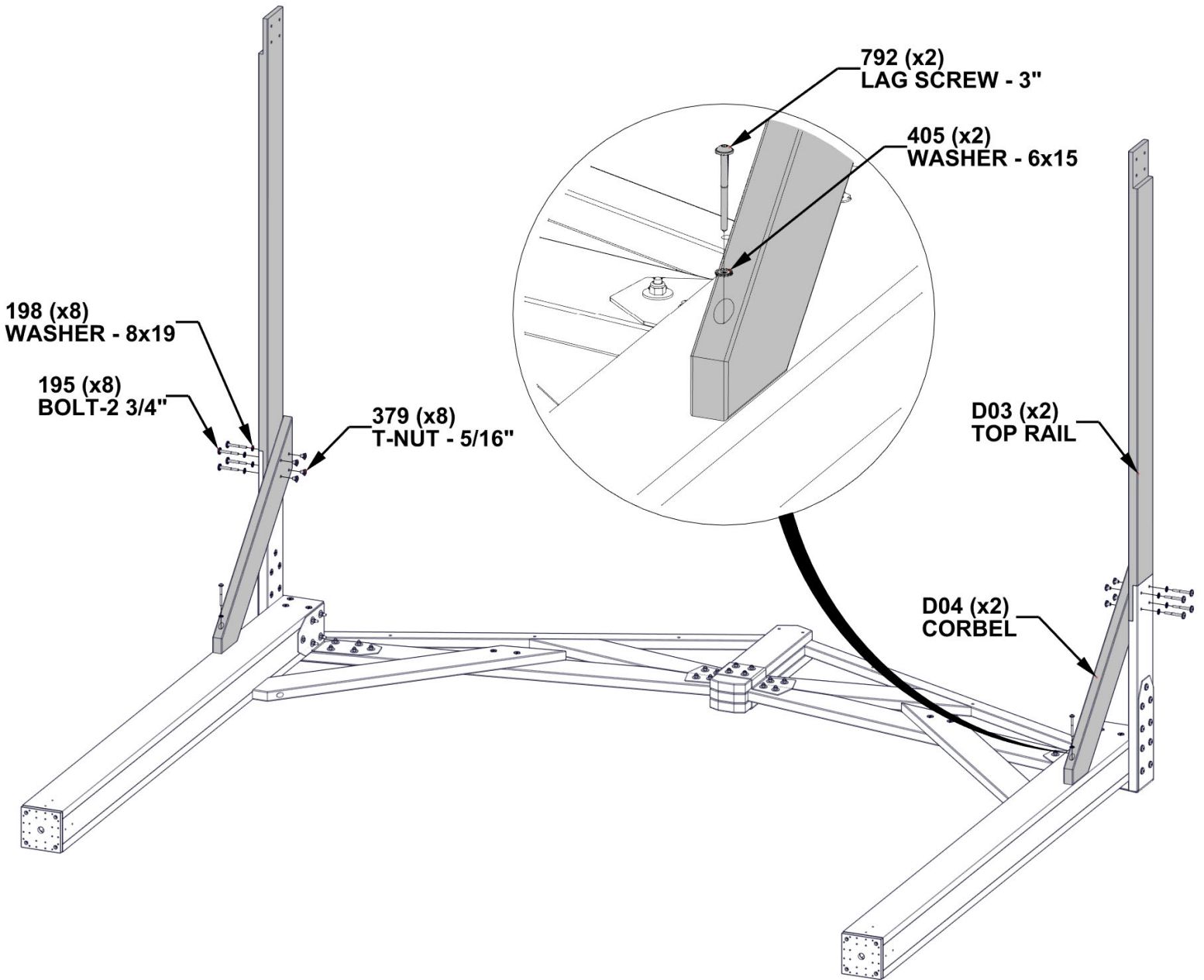


D03 TOP RAIL - W4L16380
(x2) 1 3/8"x5 1/4"x68 7/8" (36x134x1749)



D04 CORBEL - W4L16944
(x2) 1 3/8"x5 1/4"x35 7/8" (36x134x910)

INSERT T-NUTS FIRST



**REPEAT POST AND END GABLE
ASSEMBLY STEPS 4 THROUGH 10**

STEP 11 - CENTER GABLE ASSEMBLY

QTY	PART NUMBER	DESCRIPTION
4	H100483	SCREW PFH 8x2 1/4 BLK



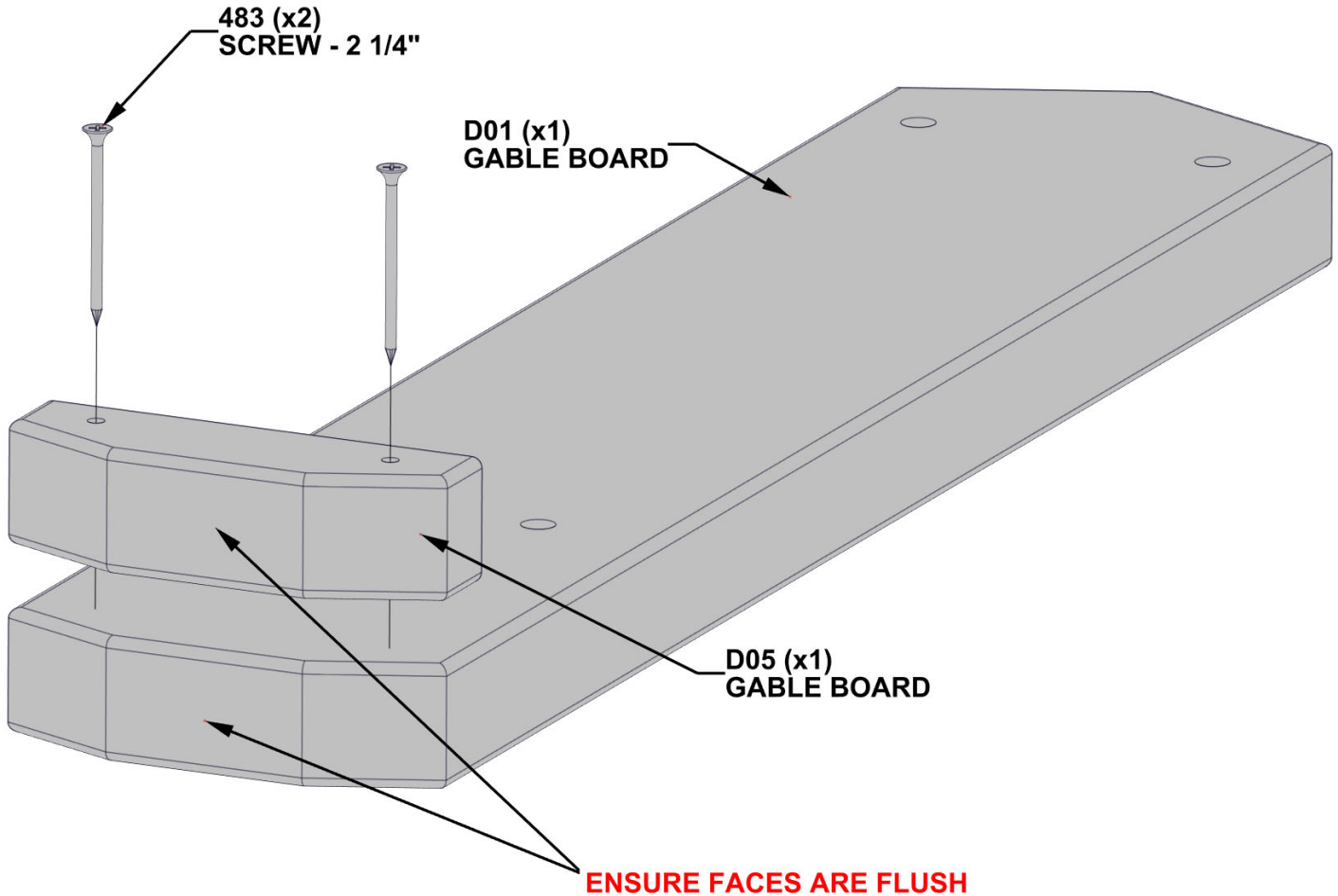
D01 GABLE BOARD - W4L16415
(x2) 1 3/8"x5 1/4"x24 5/8" (36x134x625)



D05 GABLE BOARD - W4L16753
(x2) 1 3/8"x1 1/2"x5 1/4" (36x38x134)

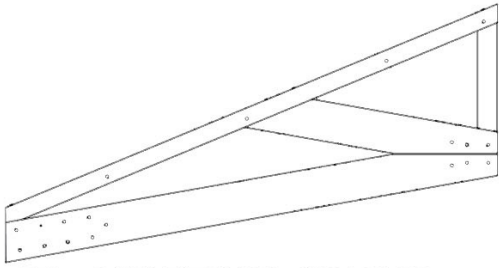
COMPLETE THIS STEP TWICE

ALIGN D05 WITH D01 ENSURING THAT BOTTOM FACES ARE FLUSH. DRILL 1/8" PILOT HOLES IN D01 USING D05 AS TEMPLATE.



STEP 12 - CENTER GABLE ASSEMBLY

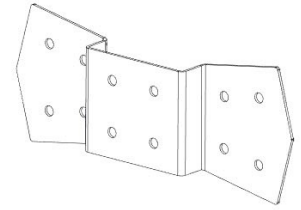
QTY	PART NUMBER	DESCRIPTION
4	H100379	T-NUT 5/16 BLK
4	H100513	BOLT WH 5/16x4 1/4 BLK



GT2 GABLE TRUSS - W2A03463
(x2) 1 3/8"x34"x64 5/8" (36x864x1794)



D01 GABLE BOARD - W4L16415
(x1) 1 3/8"x5 1/4"x24 5/8" (36x134x625)

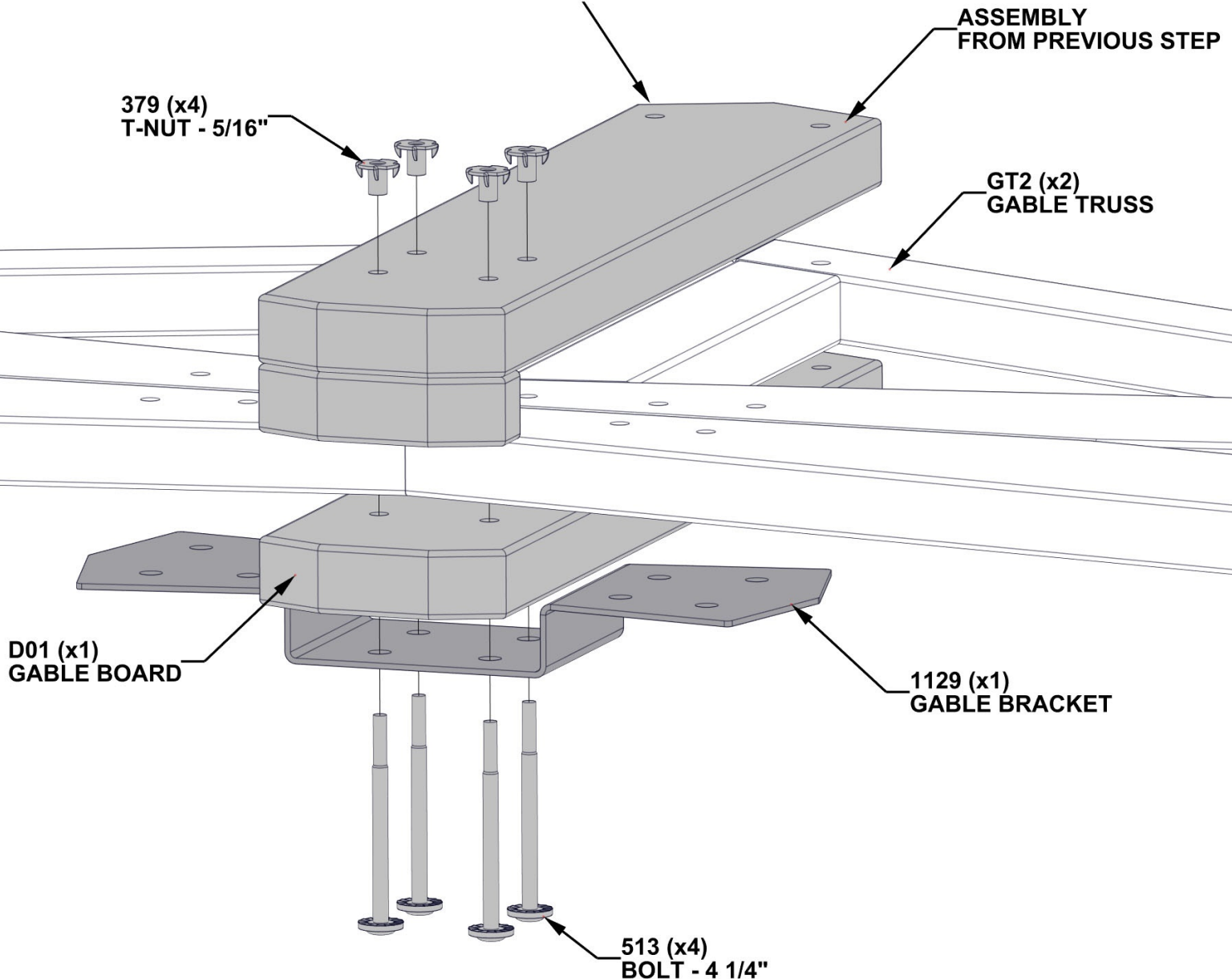


A4M01129 GABLE BRACKET
(x1)

IF NEEDED FOR EASE OF ASSEMBLY, USE METAL BRACKET AS A GUIDE AND DRILL THROUGH USING A 7/16" - (10mm) DRILL BIT, THEN ASSEMBLE.

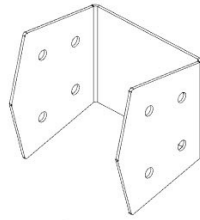
INSERT T-NUTS FIRST

TEMPORARILY ADD LONG BOLTS TO HELP ALIGN WOOD PARTS.



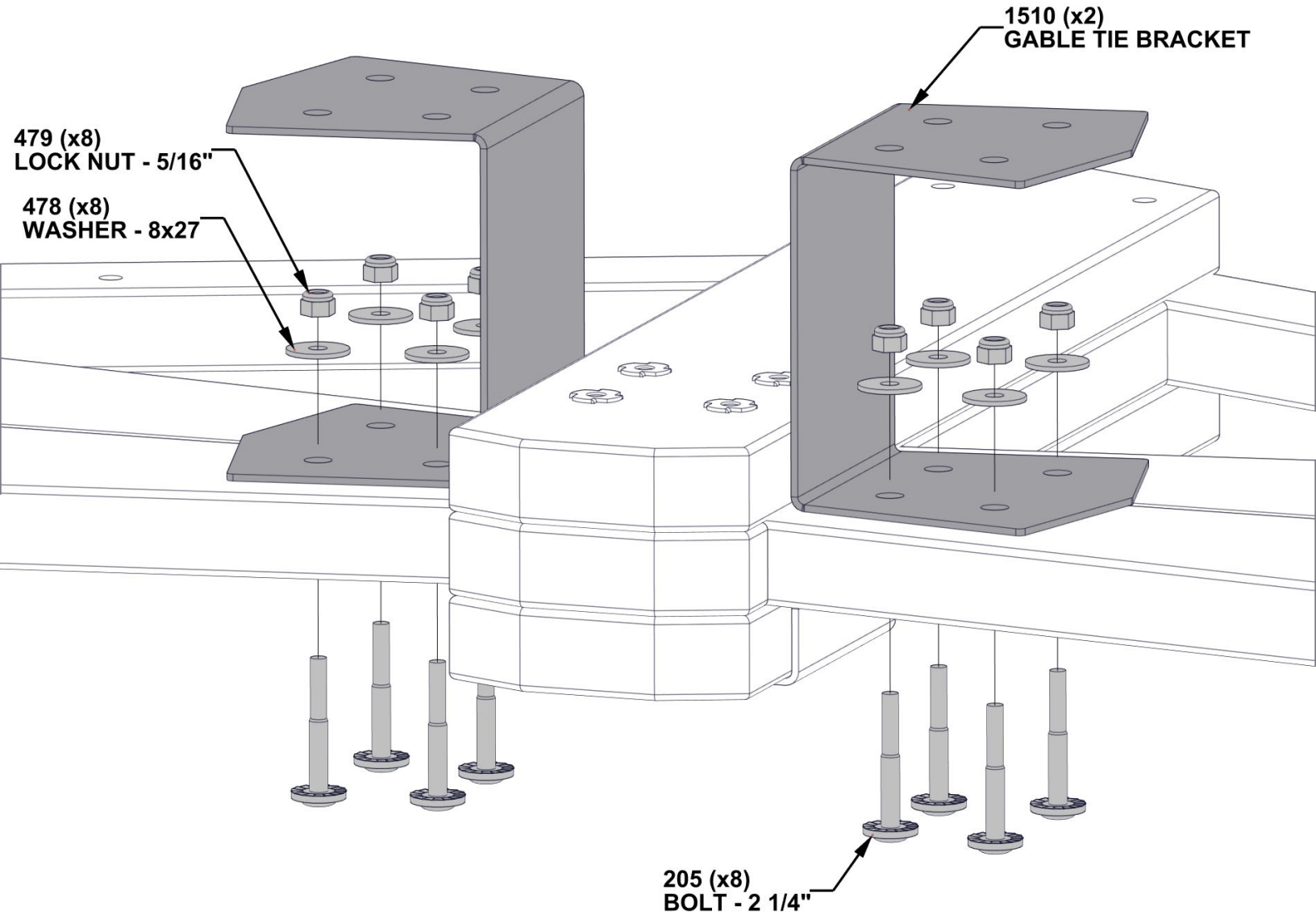
STEP 13 - CENTER GABLE ASSEMBLY

QTY	PART NUMBER	DESCRIPTION
8	H100205	BOLT WH 5/16x2 1/4 BLK
8	H100478	WASHER FLAT 8x27 BLK
8	H100479	NUT LOCK 5/16 BLK



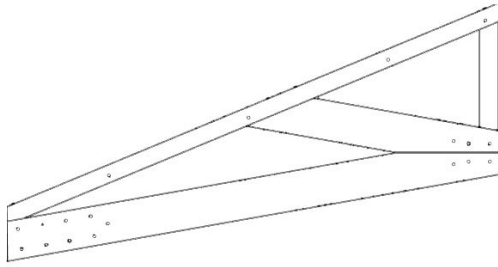
A4M01510 GABLE TIE BRACKET
(x2)

ENSURE THAT ALL BOLT HEADS ARE ON THE SAME SIDE AT THIS STEP.



STEP 14 - CENTER GABLE ASSEMBLY

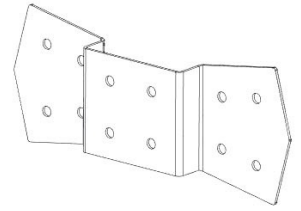
QTY	PART NUMBER	DESCRIPTION
4	H100379	T-NUT 5/16 BLK
4	H100513	BOLT WH 5/16x4 1/4 BLK



GT2 GABLE TRUSS - W2A03463
(x2) 1 3/8"x34"x64 5/8" (36x864x845)

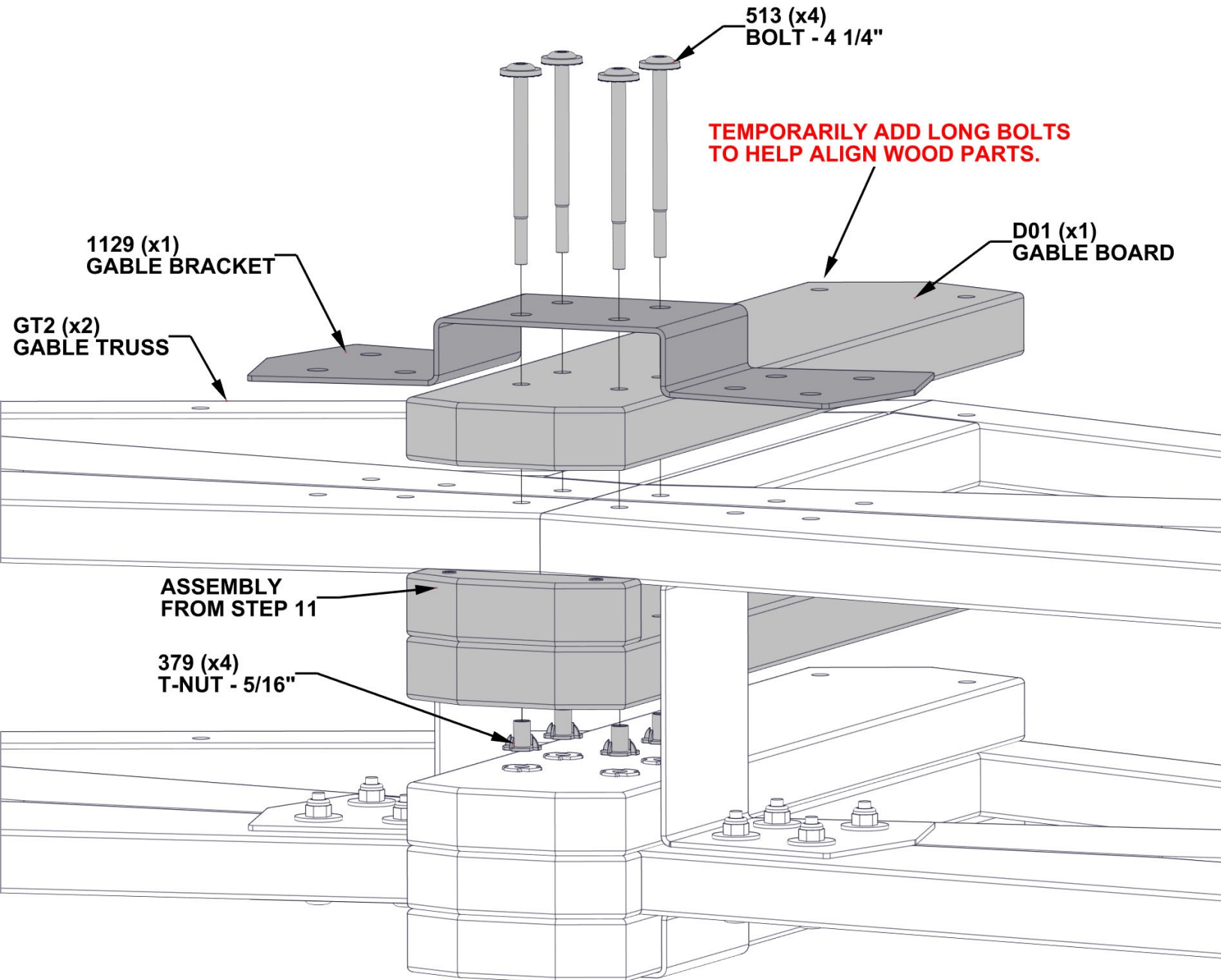


D01 GABLE BOARD - W4L16415
(x1) 1 3/8"x5 1/4"x24 5/8" (36x134x625)



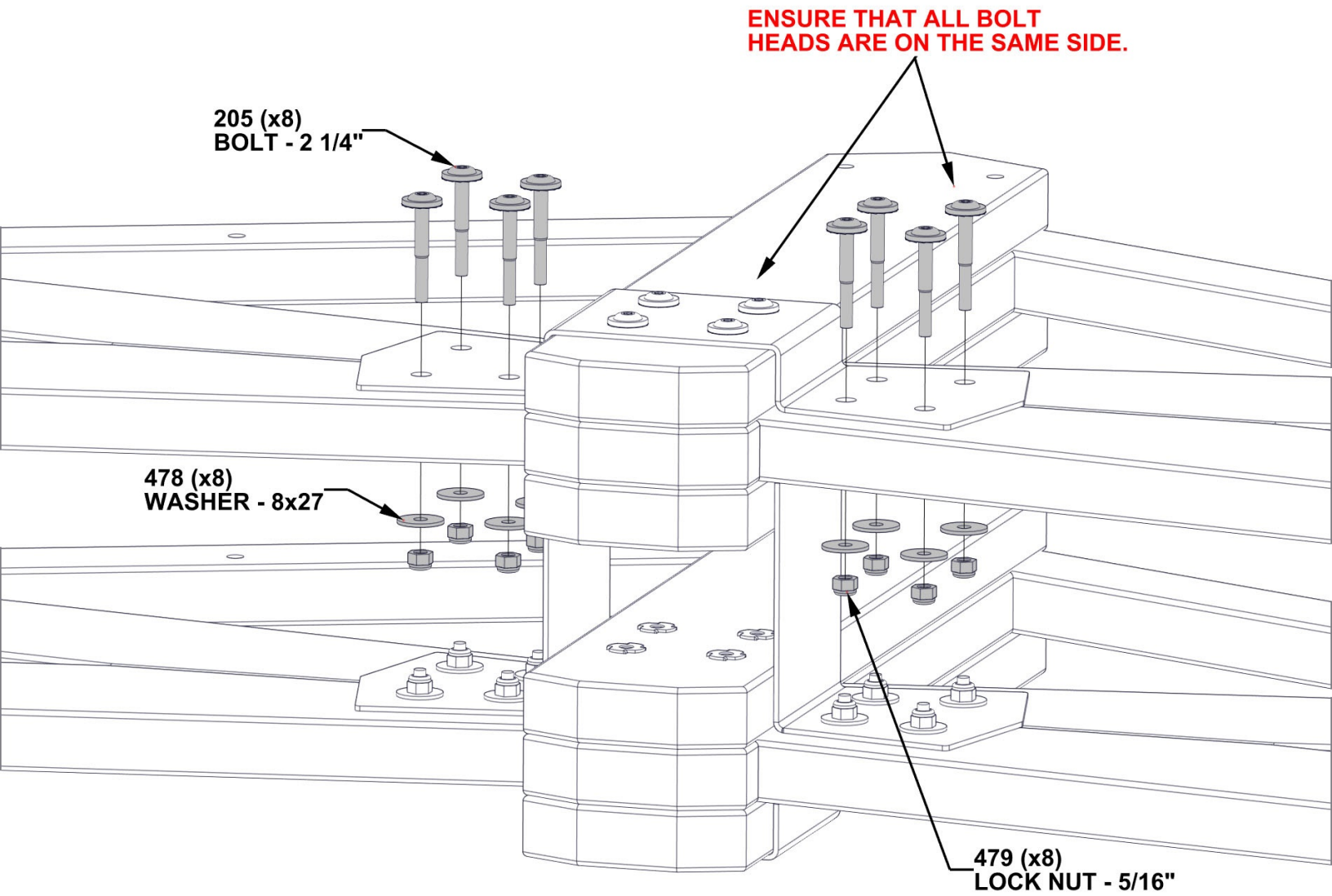
A4M01129 GABLE BRACKET
(x1)

IF NEEDED FOR EASE OF ASSEMBLY, USE METAL BRACKET AS A GUIDE AND DRILL THROUGH USING A 7/16" - (10mm) DRILL BIT, THEN ASSEMBLE.



STEP 15 - CENTER GABLE ASSEMBLY

QTY	PART NUMBER	DESCRIPTION
8	H100205	BOLT WH 5/16x2 1/4 BLK
8	H100478	WASHER FLAT 8x27 BLK
8	H100479	NUT LOCK 5/16 BLK



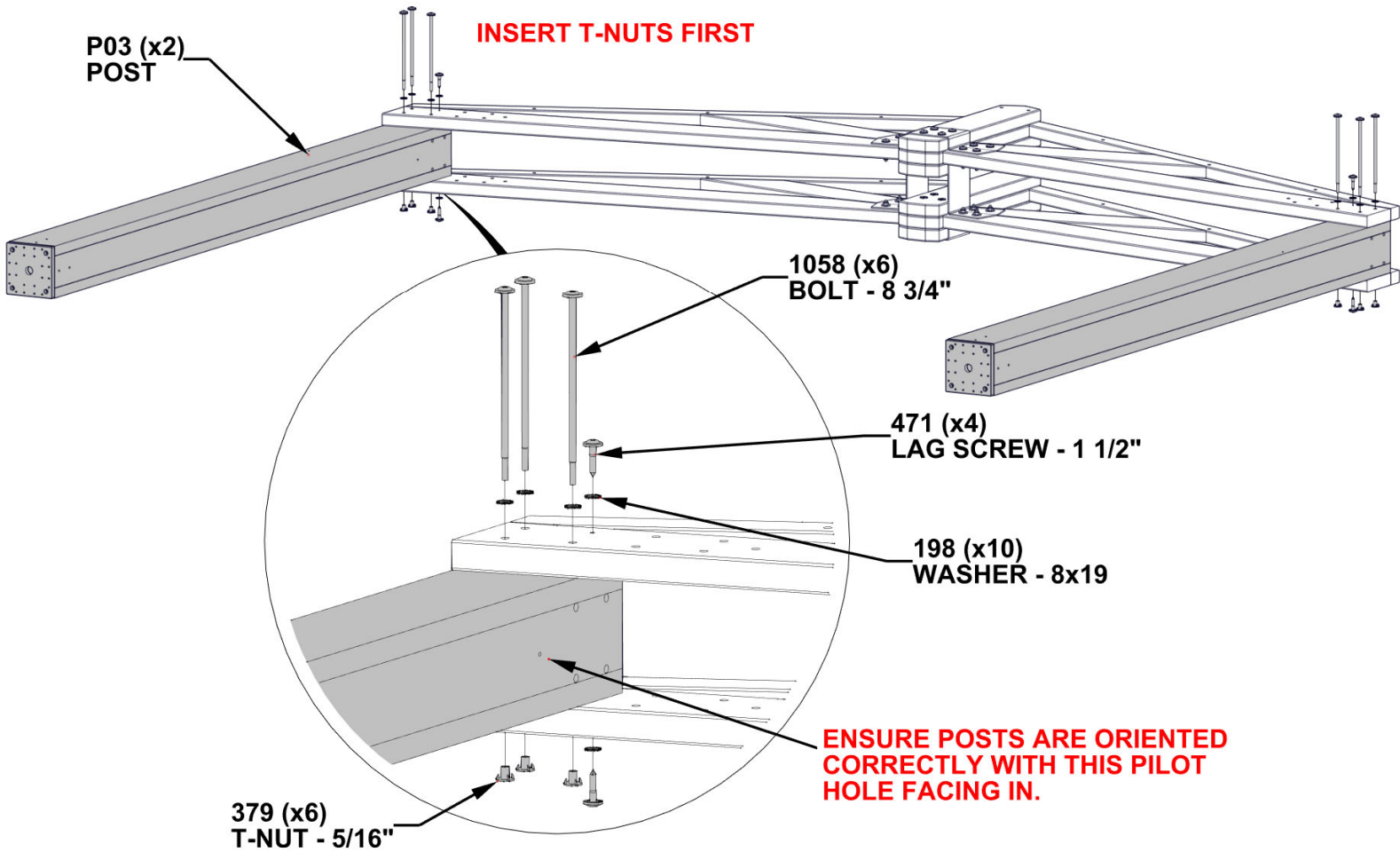
STEP 16 - CENTER GABLE ASSEMBLY

QTY	PART NUMBER	DESCRIPTION
10	H100198	WASHER LOCK EXT 8x19
6	H100379	T-NUT 5/16 BLK
4	H100471	LAG SCREW WH 5/16x1 1/2 BLK
6	H101058	BOLT WH 5/16x8 3/4 BLK



P03 POST - W2A03458
(x2) 6"x6"x89 1/2" (152x152x2274)

**DO NOT FULLY TIGHTEN
HARDWARE IN THIS STEP.**

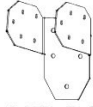


STEP 17 - CENTER GABLE ASSEMBLY

QTY	PART NUMBER	DESCRIPTION
28	H100198	WASHER LOCK EXT 8x19
20	H100205	BOLT WH 5/16x2 1/4 BLK
30	H100478	WASHER FLAT 8x27 BLK
28	H100479	NUT LOCK 5/16 BLK
2	H100659	LAG SCREW HEX 5/16x1 1/2 BLK
8	H100765	BOLT WH 5/16x8 BLK

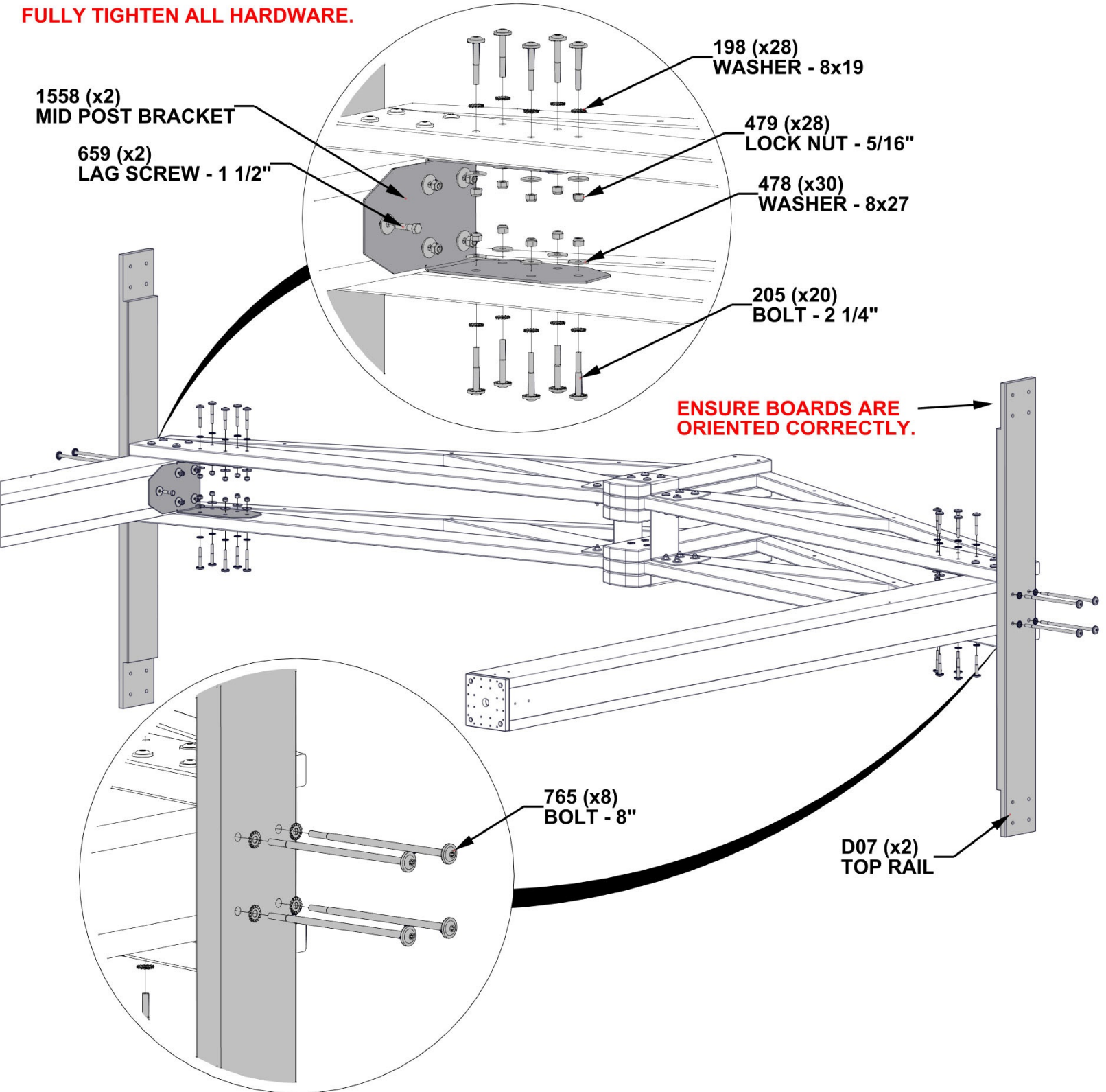


D07 TOP RAIL - W4L16381
(x2) 1 3/8"x5 1/4"x51 3/4" (36x134x1316)



A4M01558 MID POST BRACKET
(x2)

FULLY TIGHTEN ALL HARDWARE.



STEP 18 - GAZEBO ASSEMBLY

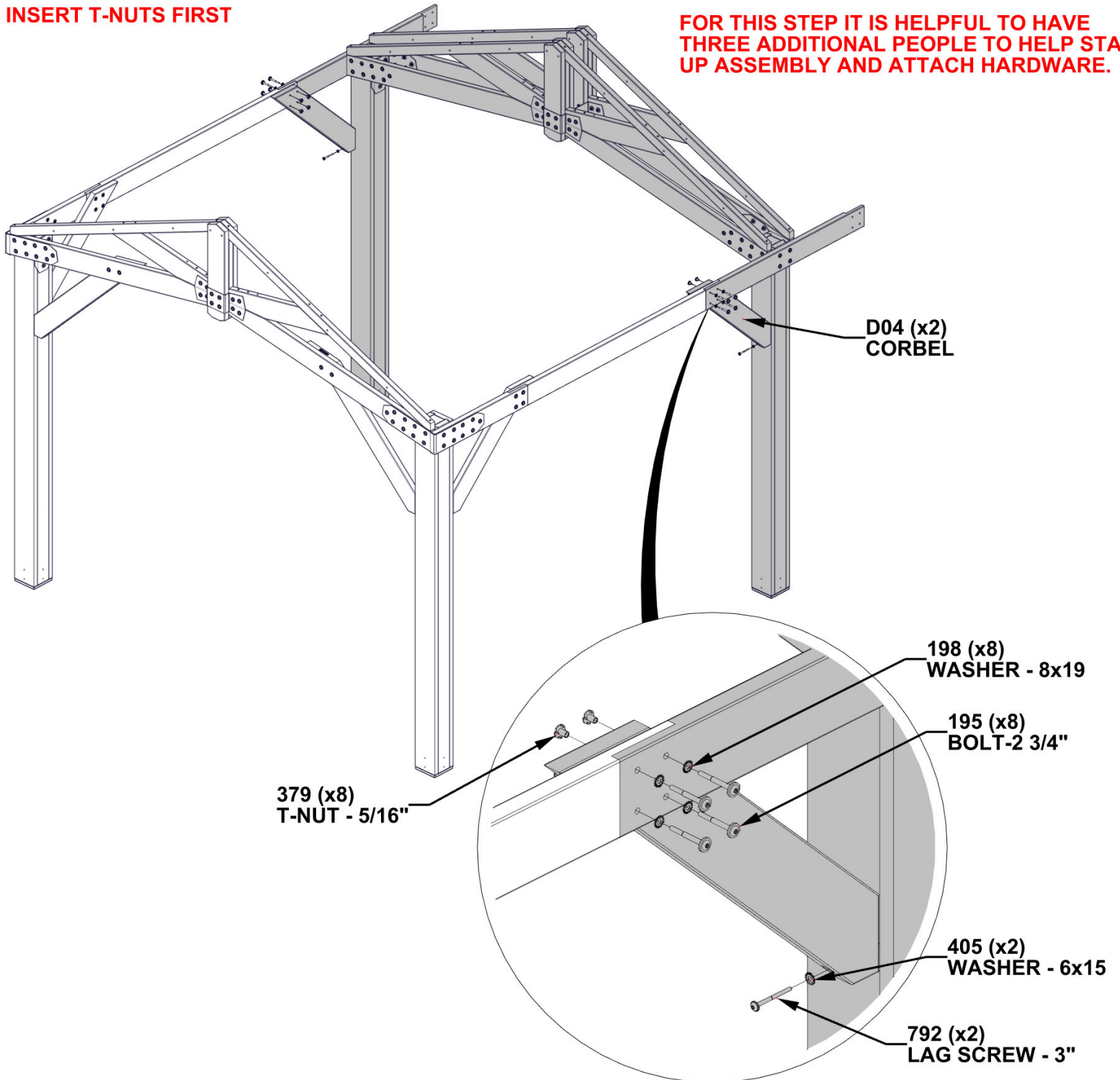
QTY	PART NUMBER	DESCRIPTION
8	H100195	BOLT WH 5/16x2 3/4 BLK
8	H100198	WASHER LOCK EXT 8x19
8	H100379	T-NUT 5/16 BLK
2	H100405	WASHER LOCK EXT 6x15
2	H100792	LAG SCREW WH 1/4x3 BLK



D04 CORBEL - W4L16944
(x2) 1 3/8"x5 1/4"x35 7/8" (36x134x910)

INSERT T-NUTS FIRST

FOR THIS STEP IT IS HELPFUL TO HAVE THREE ADDITIONAL PEOPLE TO HELP STAND UP ASSEMBLY AND ATTACH HARDWARE.



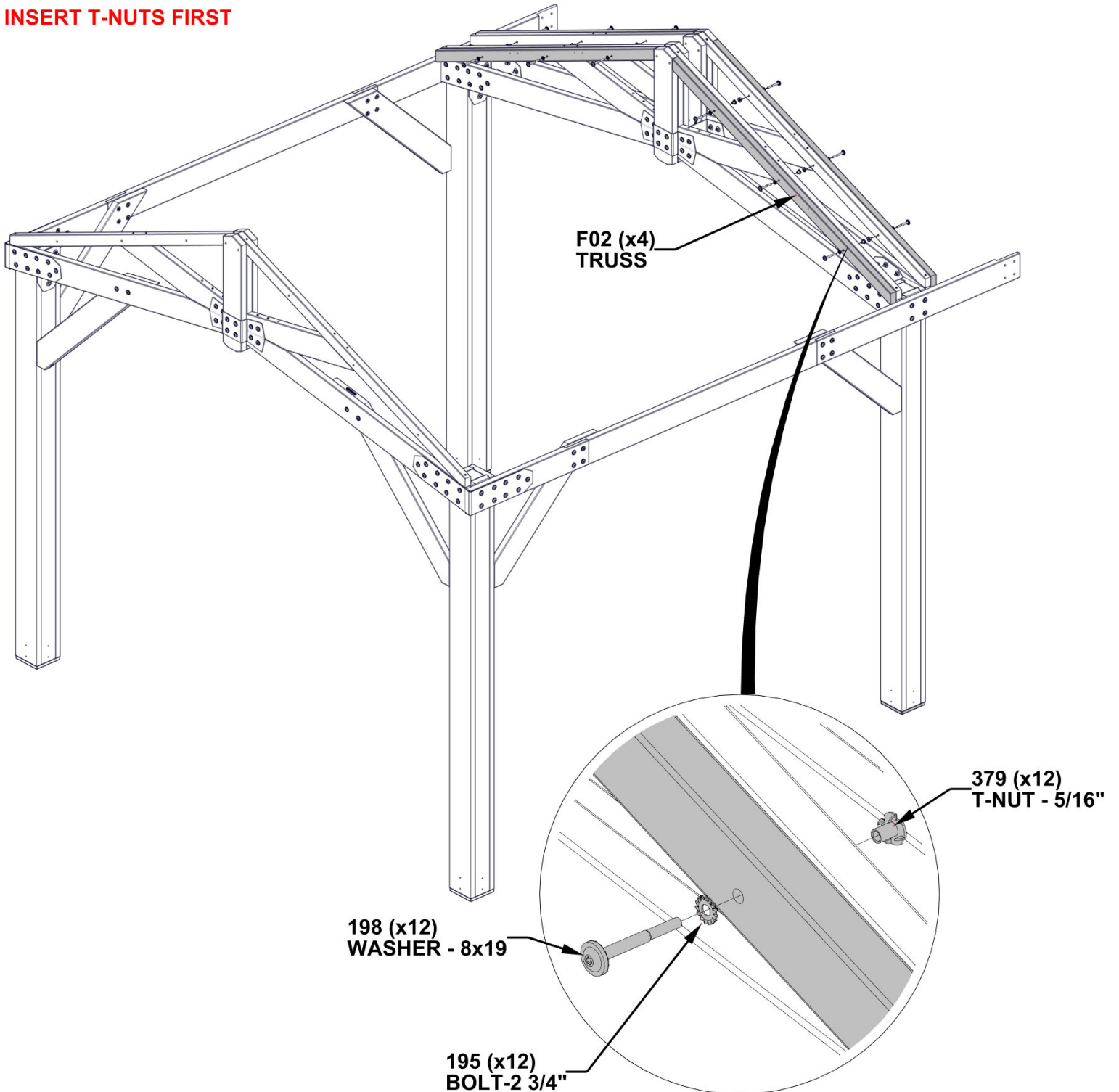
STEP 19 - GAZEBO ASSEMBLY

QTY	PART NUMBER	DESCRIPTION
12	H100195	BOLT WH 5/16x2 3/4 BLK
12	H100198	WASHER LOCK EXT 8x19
12	H100379	T-NUT 5/16 BLK



F02 TRUSS - W4L16378
(x4) 1 3/8"x2 3/8"x68" (36x60x1727)

INSERT T-NUTS FIRST



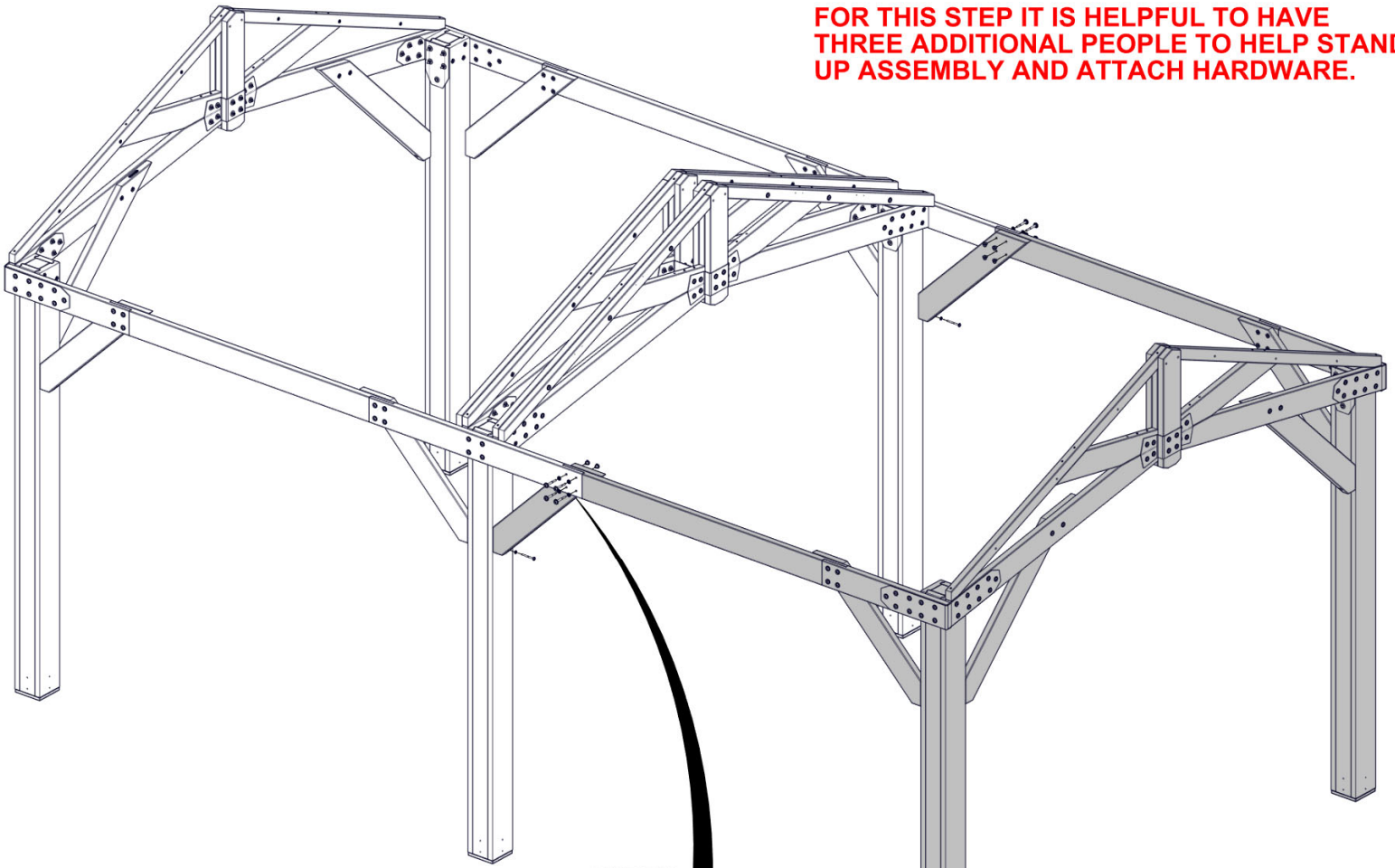
STEP 20 - GAZEBO ASSEMBLY

QTY	PART NUMBER	DESCRIPTION
8	H100195	BOLT WH 5/16x2 3/4 BLK
8	H100198	WASHER LOCK EXT 8x19
8	H100379	T-NUT 5/16 BLK
2	H100405	WASHER LOCK EXT 6x15
2	H100792	LAG SCREW WH 1/4x3 BLK

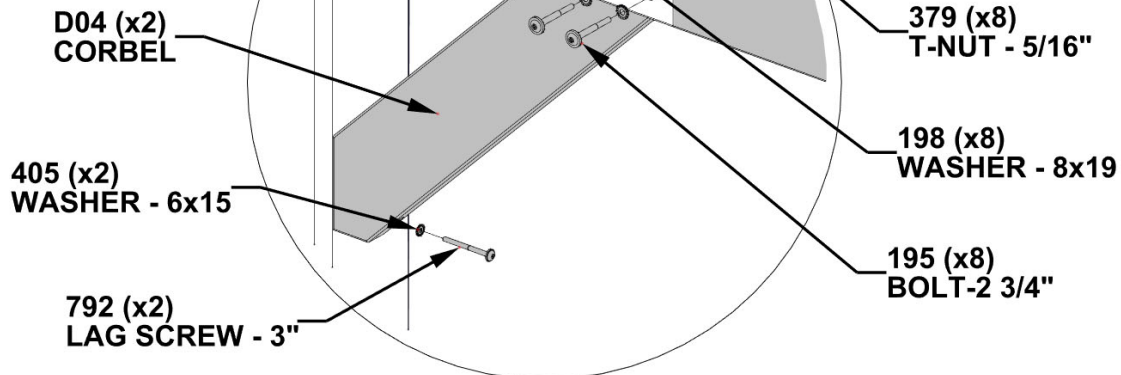


D04 CORBEL - W4L16944
(x2) 1 3/8"x5 1/4"x35 7/8" (36x134x910)

FOR THIS STEP IT IS HELPFUL TO HAVE THREE ADDITIONAL PEOPLE TO HELP STAND UP ASSEMBLY AND ATTACH HARDWARE.

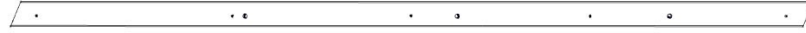


INSERT T-NUTS FIRST

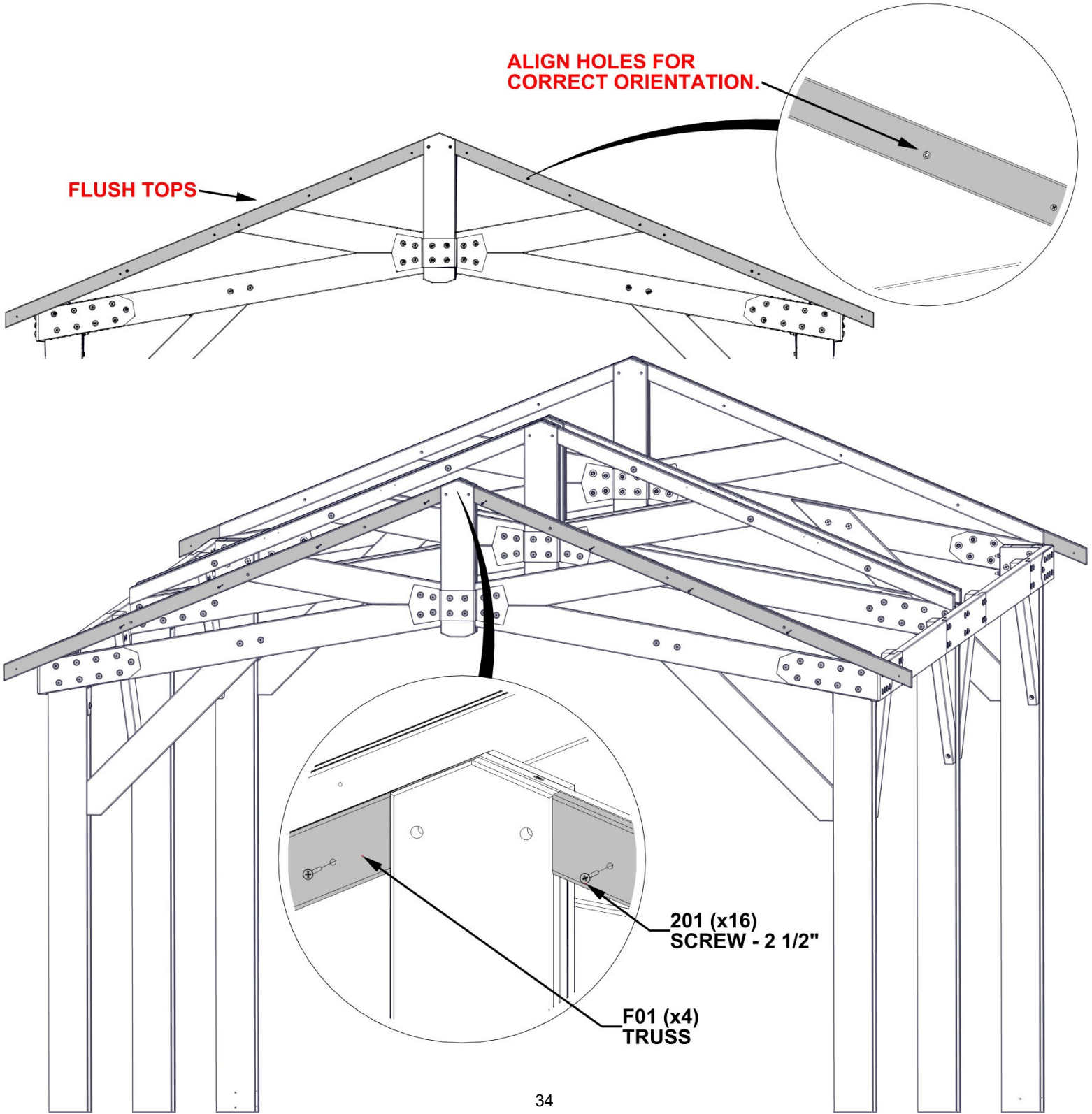


STEP 21 - GAZEBO ASSEMBLY

QTY	PART NUMBER	DESCRIPTION
16	H100201	SCREW PFH 8x2 1/2 BLK



F01 TRUSS - W4L16414
(x4) 1 3/8"x2 3/8"x75 1/8" (36x60x1907)



STEP 22 - GAZEBO ASSEMBLY

QTY	PART NUMBER	DESCRIPTION
4	H100201	SCREW PFH 8x2 1/2 BLK
12	H100405	WASHER LOCK EXT 6x15
12	H100564	LAG SCREW WH 1/4x4 BLK



GP1 GABLE PANEL - W2A03379
(x2) 2 13/16"x5 1/4"x80 3/16" (72x134x2037)

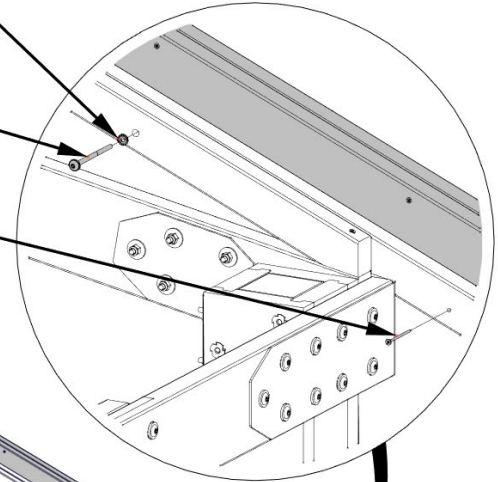


GP2 GABLE PANEL - W2A03380
(x2) 2 13/16"x5 1/4"x80 3/16" (72x134x2037)

405 (x12)
WASHER - 6x15

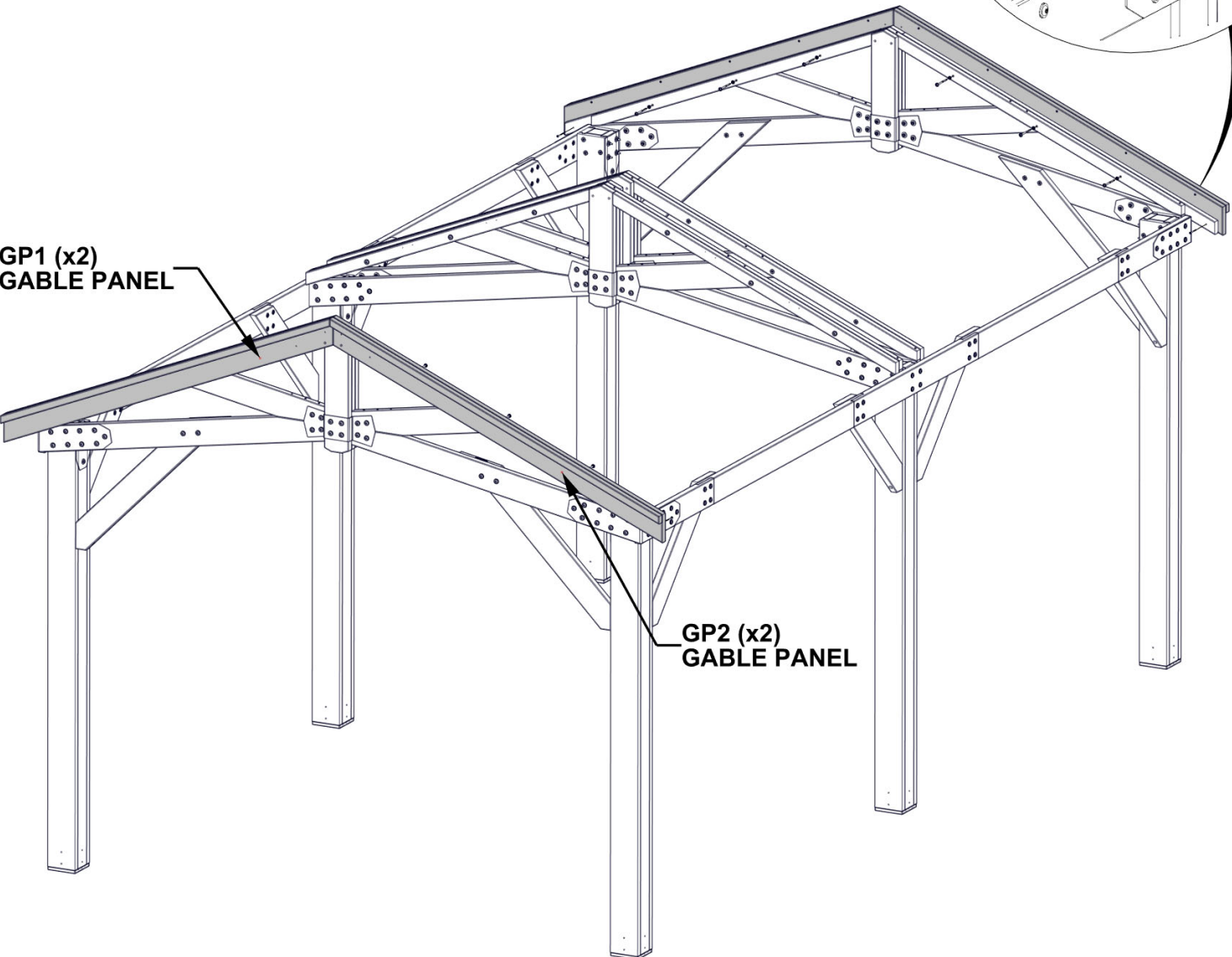
564 (x12)
LAG SCREW - 4"

201 (x4)
SCREW - 2 1/2"



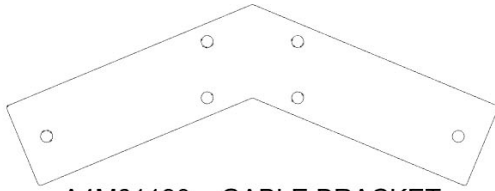
GP1 (x2)
GABLE PANEL

GP2 (x2)
GABLE PANEL

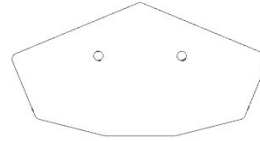


STEP 23 - GAZEBO ASSEMBLY

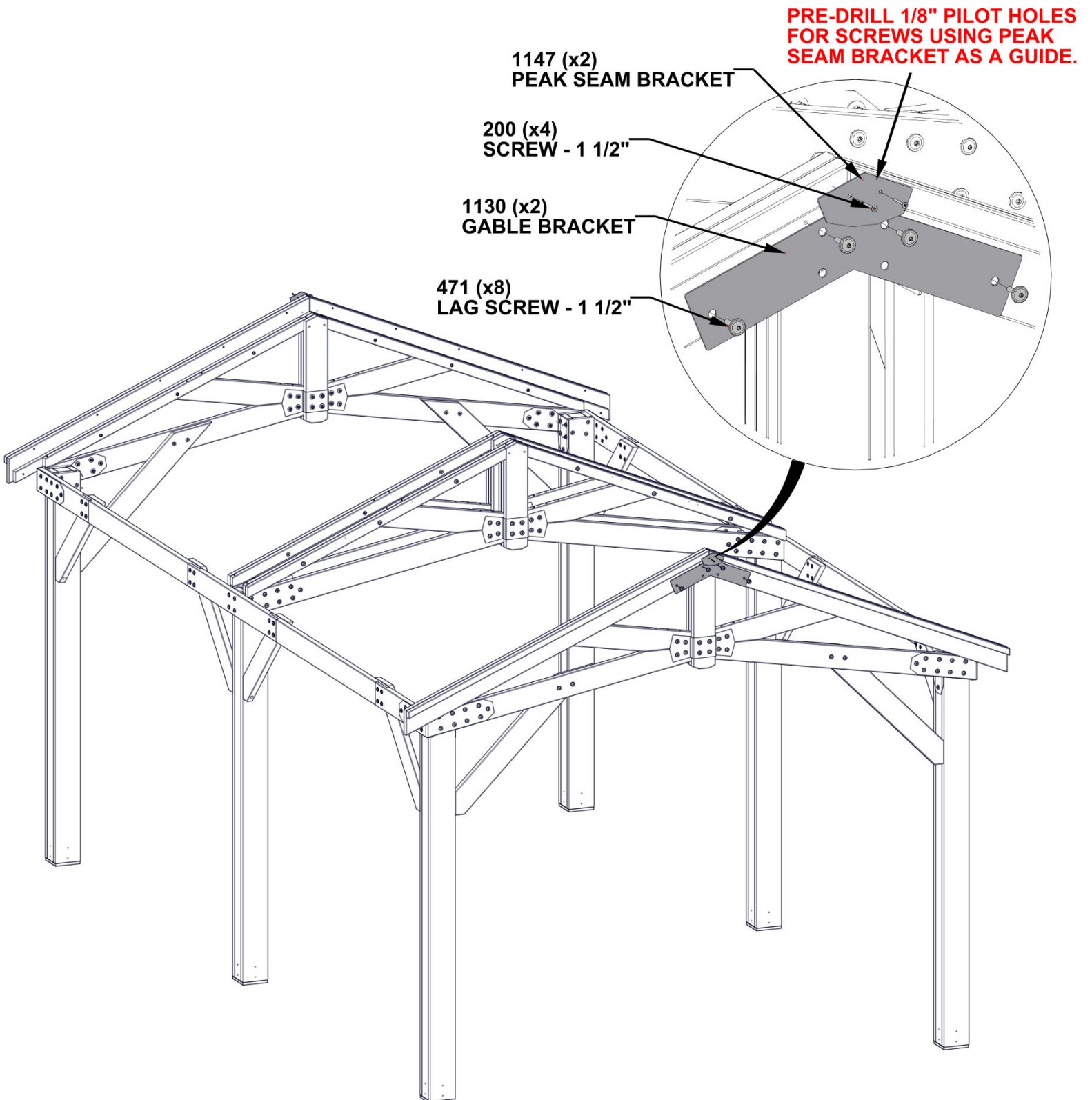
QTY	PART NUMBER	DESCRIPTION
4	H100200	SCREW PFH 8x1 1/2 BLK
8	H100471	LAG SCREW WH 5/16x1 1/2 BLK



A4M01130 GABLE BRACKET
(x2)

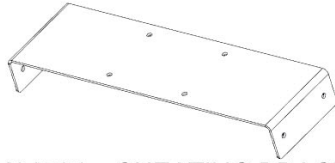


A4M01147 PEAK SEAM BRACKET
(x2)

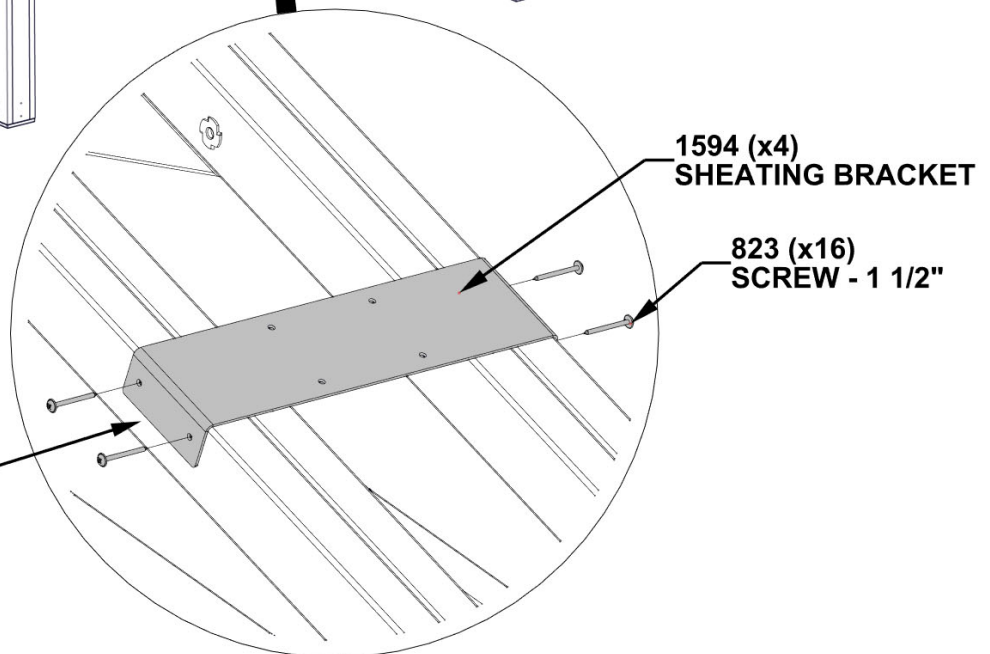
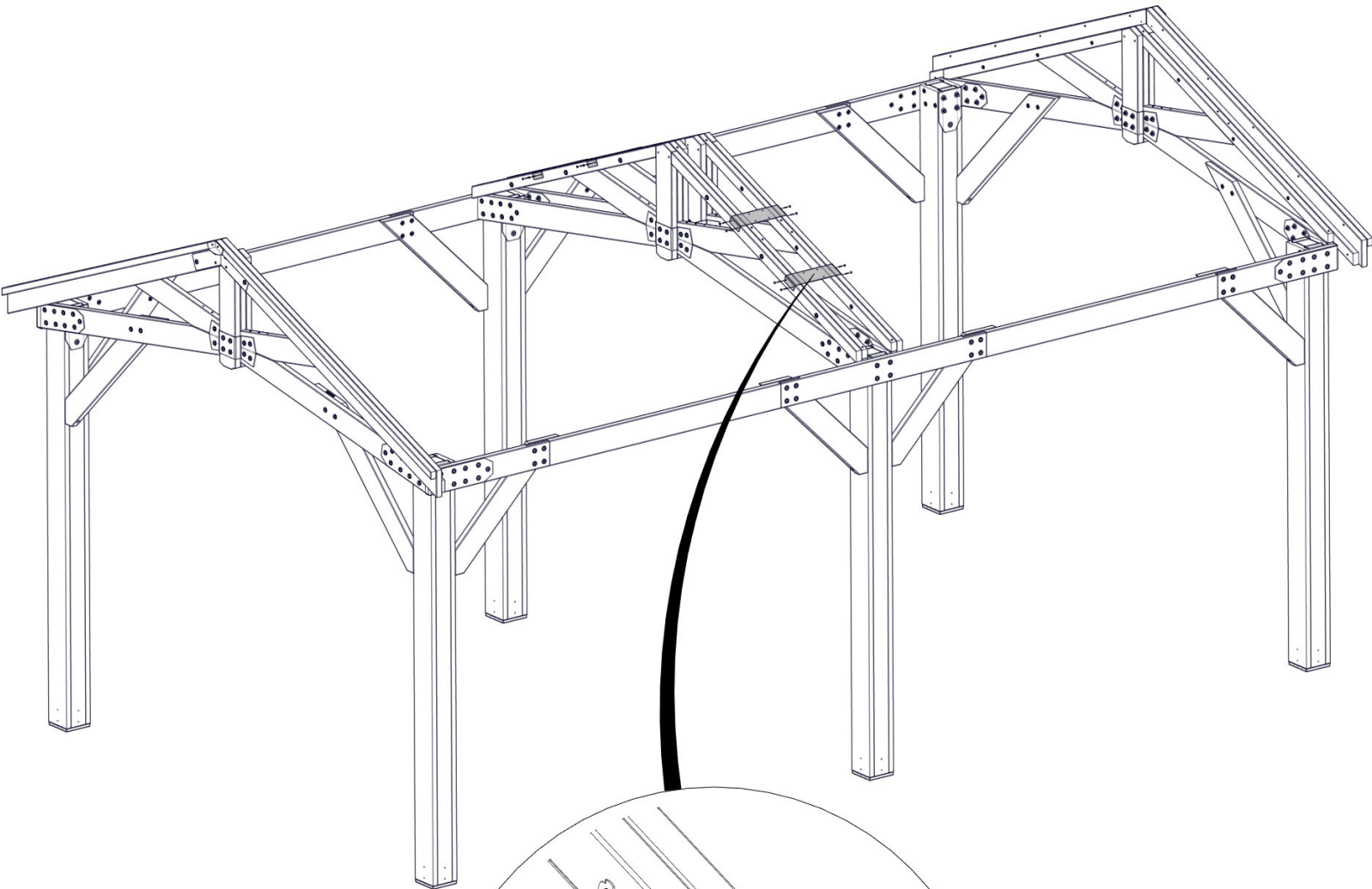


STEP 24 - GAZEBO ASSEMBLY

QTY	PART NUMBER	DESCRIPTION
16	H100823	SCREW PWH 8x1 1/2 BLK



A4M01594 SHEATING BRACKET
(x4)

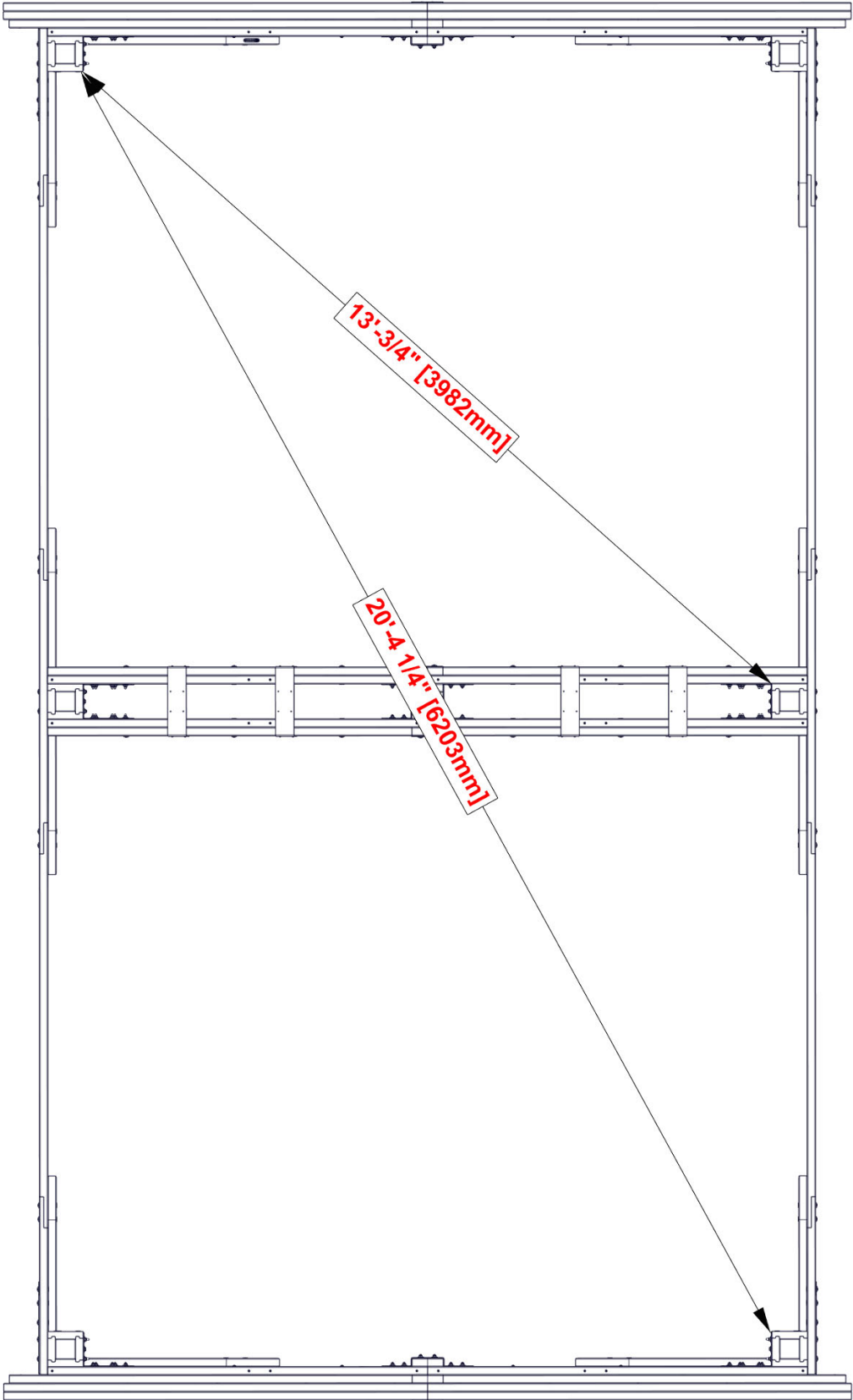


**ATTACH SHEATING BRACKETS
USING PILOT HOLES IN GABLE
ASSEMBLY.**

STEP 25 - SQUARE ASSEMBLY

CRITICAL: SQUARE ASSEMBLY BEFORE PROCEEDING TO NEXT STEPS. ONCE SQUARE, ENSURE ALL HARDWARE IS FULLY TIGHTENED.

MEASUREMENTS TAKEN FROM INSIDE OF POST TO INSIDE OF POST.



ONCE A ROOF PANEL IS COMPLETE, SET IT TO THE SIDE. KEEP TRACK OF A, B, C, AND D AS THEIR PLACEMENT IS CRITICAL IN LATER STEPS.

STEP 26A - ROOF PANEL A ASSEMBLY

QTY	PART NUMBER	DESCRIPTION
16	H100391	SCREW PFH 8x2 BLK



E01 RAFTER - W4L16382
(x2) 1 3/8"x3 3/8"x77 3/8" (36x86x1965)



E08 RAFTER - W4L16755
(x2) 1 3/8"x3 3/8"x77 3/8" (36x86x1965)



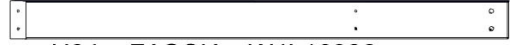
H01 FASCIA - W4L16383
(x1) 1"x3 3/8"x68 5/8" (24x86x1742)



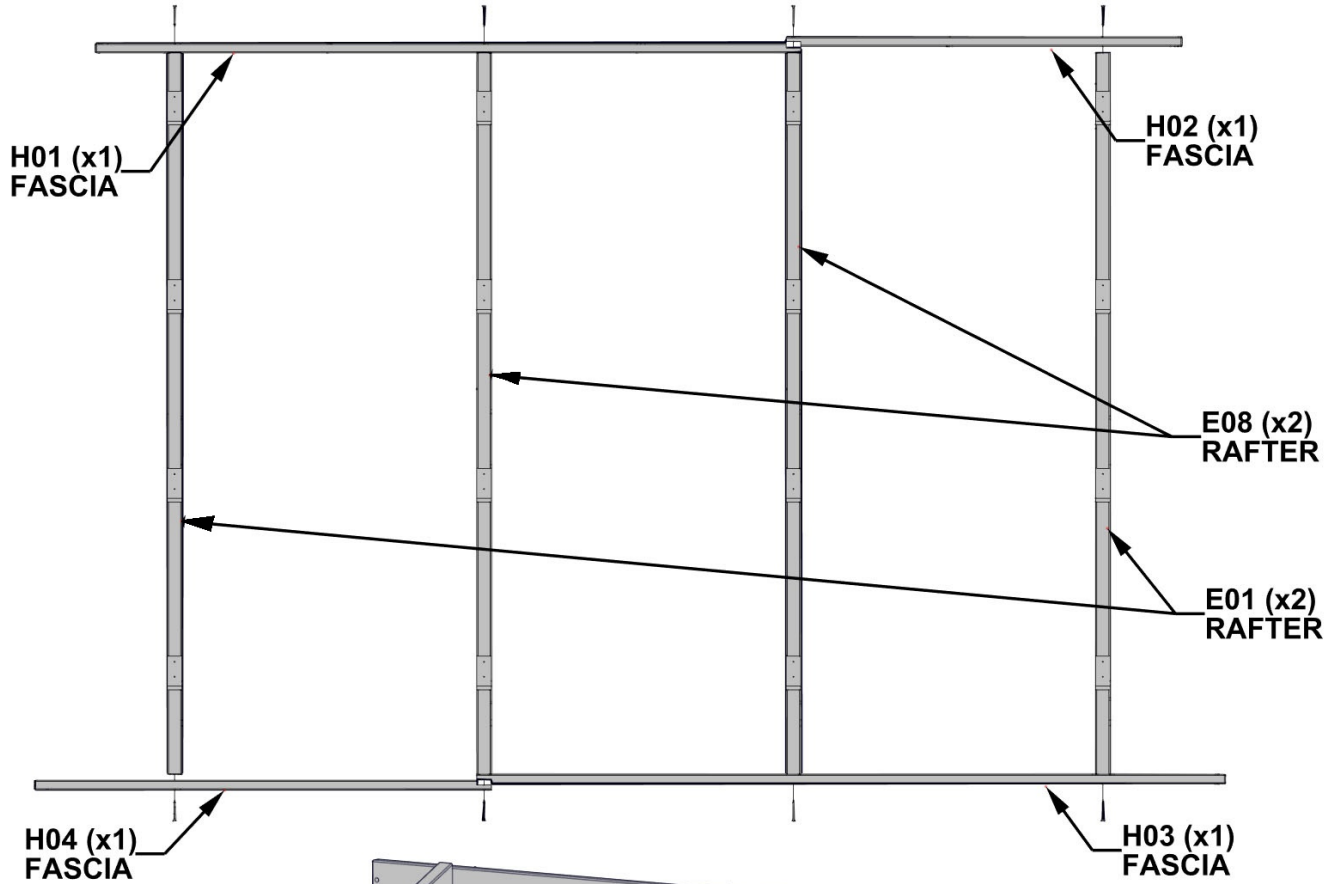
H02 FASCIA - W4L16384
(x1) 1"x3 3/8"x38 1/2" (24x86x978)



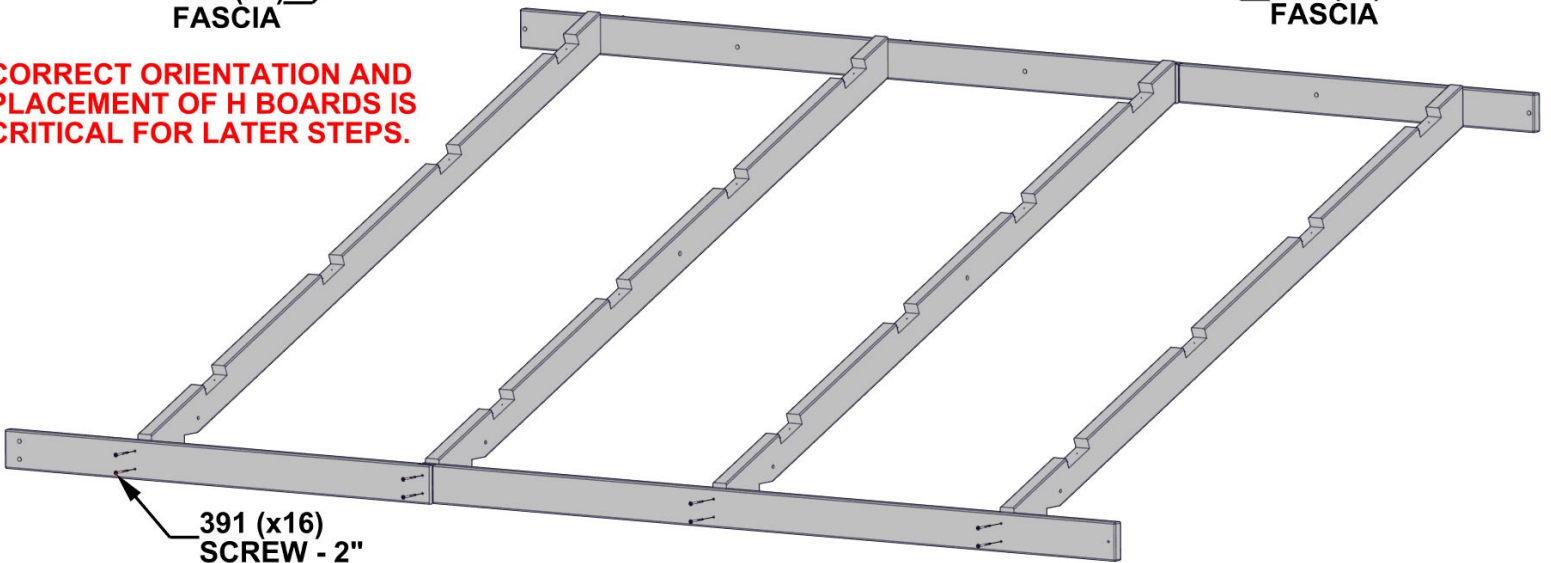
H03 FASCIA - W4L16385
(x1) 1"x3 3/8"x72 3/4" (24x86x1849)



H04 FASCIA - W4L16386
(x1) 1"x3 3/8"x44 3/8" (24x86x1128)



CORRECT ORIENTATION AND PLACEMENT OF H BOARDS IS CRITICAL FOR LATER STEPS.



STEP 27A - ROOF PANEL A ASSEMBLY

QTY	PART NUMBER	DESCRIPTION
32	H100391	SCREW PFH 8x2 BLK



H05 SHEATHING BOARD - W4L16392
(x2) 1"x3 3/8"x72 3/4" (24x86x1849)



H07 SHEATHING BOARD - W4L16394
(x2) 1"x3 3/8"x42 3/4" (24x86x1085)

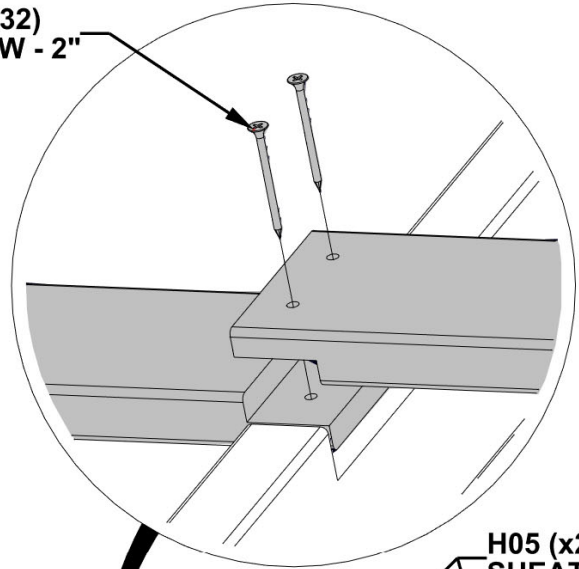


H06 SHEATHING BOARD - W4L16393
(x2) 1"x3 3/8"x74 3/8" (24x86x1888)



H08 SHEATHING BOARD - W4L16395
(x2) 1"x3 3/8"x44 1/4" (24x86x1124)

391 (x32)
SCREW - 2"



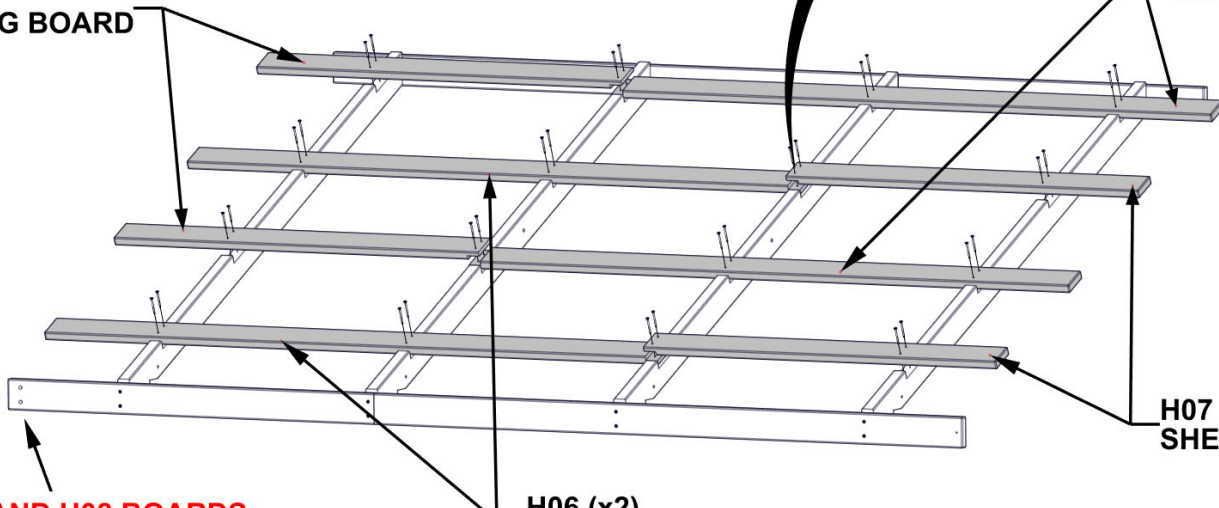
H05 (x2)
SHEATHING BOARD

H07 (x2)
SHEATHING BOARD

H06 (x2)
SHEATHING BOARD

H08 (x2)
SHEATHING BOARD

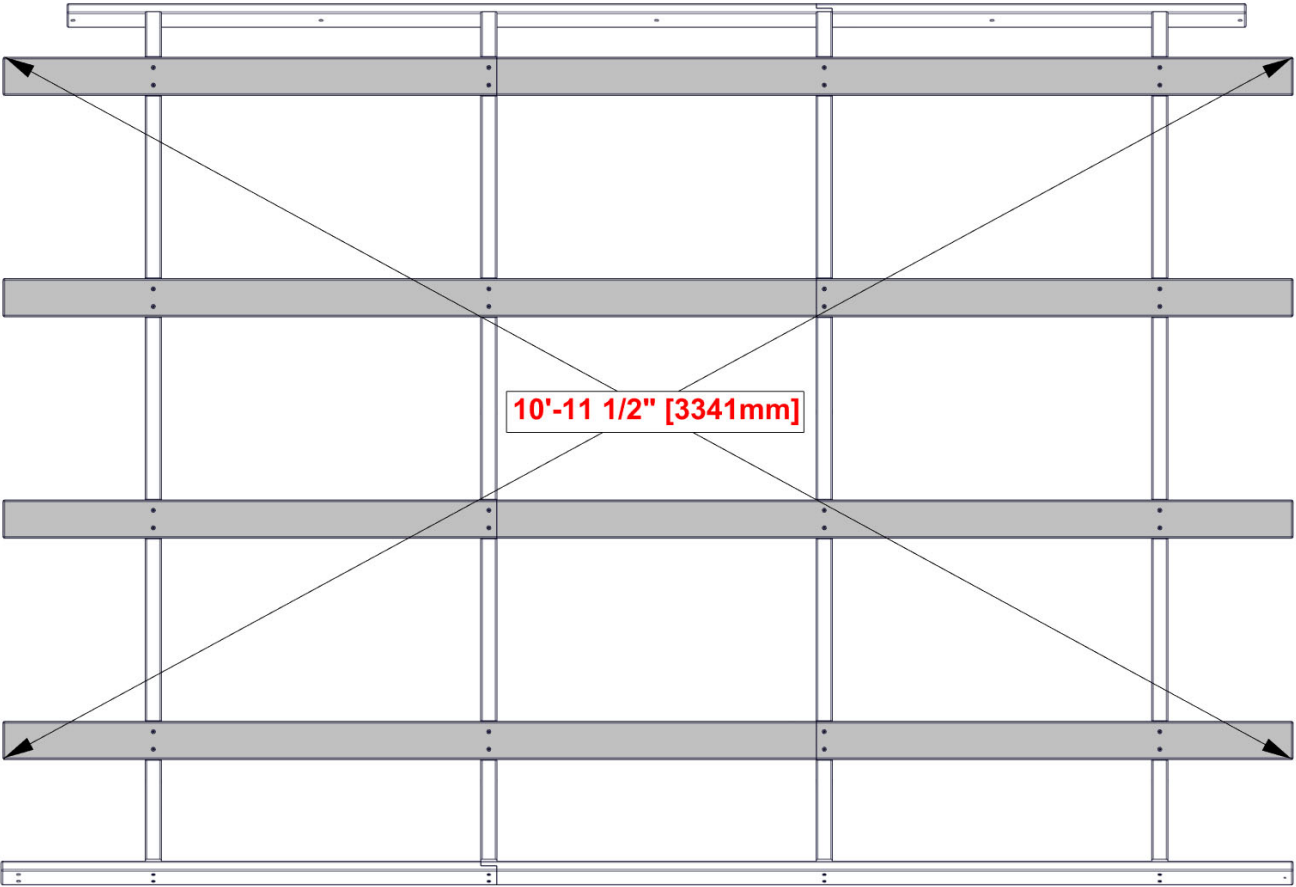
**H06 AND H08 BOARDS
GO ON THE SIDE WITH
TWO PILOT HOLES.**



STEP 27B - ROOF PANEL A ASSEMBLY

TIP: LOOSEN HARDWARE TO ADJUST FOR SQUARING IF NEEDED

- CRITICAL:**
- SQUARE UNIT BEFORE PROCEEDING TO NEXT STEPS.
 - THE BELOW DIMENSIONS ARE CRITICAL TO THE FINAL ROOF ASSEMBLY.
 - MEASUREMENTS SHOULD BE HELD WITHIN +/- 1/4".
 - MEASUREMENTS OUTSIDE OF TOLERANCE WILL LEAD TO THE INABILITY TO ASSEMBLE THE ROOF.



STEP 28 - ROOF PANEL A ASSEMBLY

ROOF PANEL A

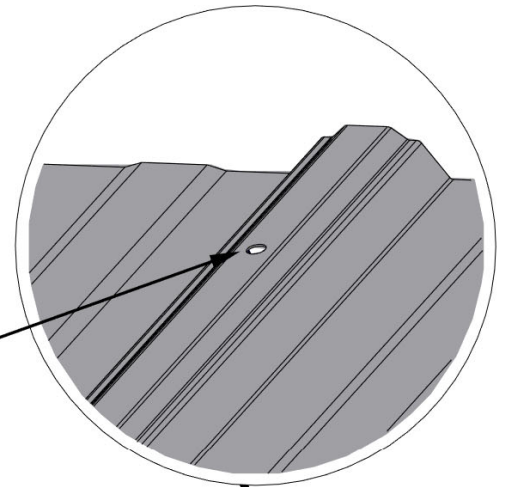
USE THIS PAGE TO FAMILIARIZE YOURSELF WITH THE ROOF PANEL AND ASSIST YOU IN STEPS 29-30.

TIPS:

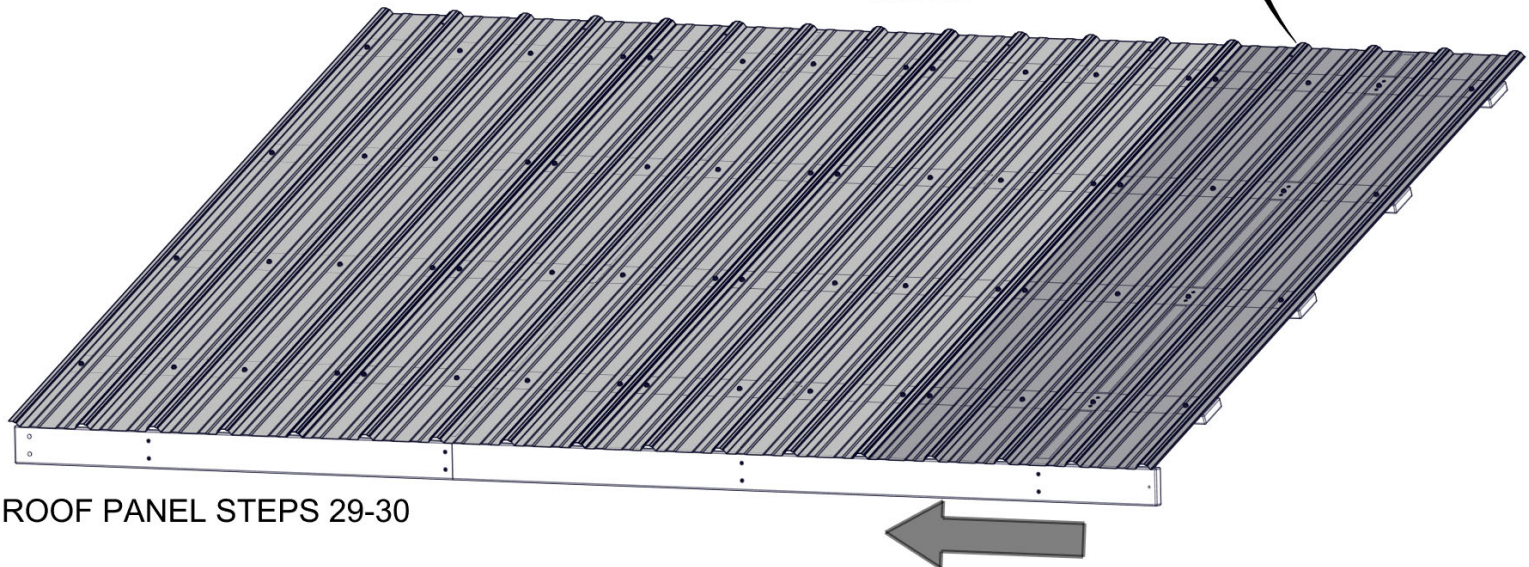
- REMOVE PROTECTIVE BLUE FILM
- START AT THE END INDICATED AND ASSEMBLE IN THE DIRECTION OF THE ARROW

GLOVES SHOULD BE WORN WHEN HANDLING ROOF PANELS: EDGES ARE SHARP.

THE PRE-DRILLED HOLES ON EACH PANEL SHOULD ALWAYS BE POSITIONED ON THE RIDGE SIDE.



RIDGE



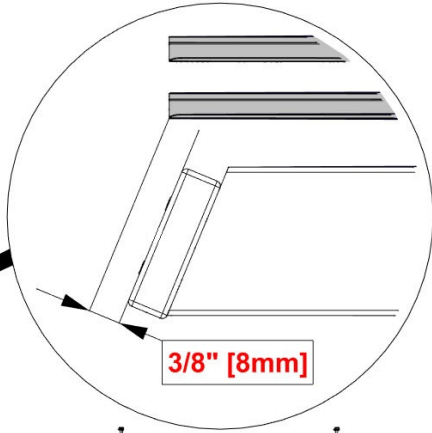
ROOF PANEL STEPS 29-30

STEP 29 - ROOF PANEL A ASSEMBLY

QTY	PART NUMBER	DESCRIPTION
32	H100833	SCREW WOODGRIP 10-16x3/4"



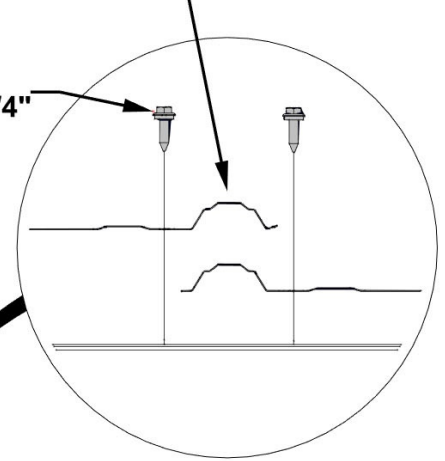
A4M01124 29 GA STEEL SHEETING (x2)



3/8" [8mm]

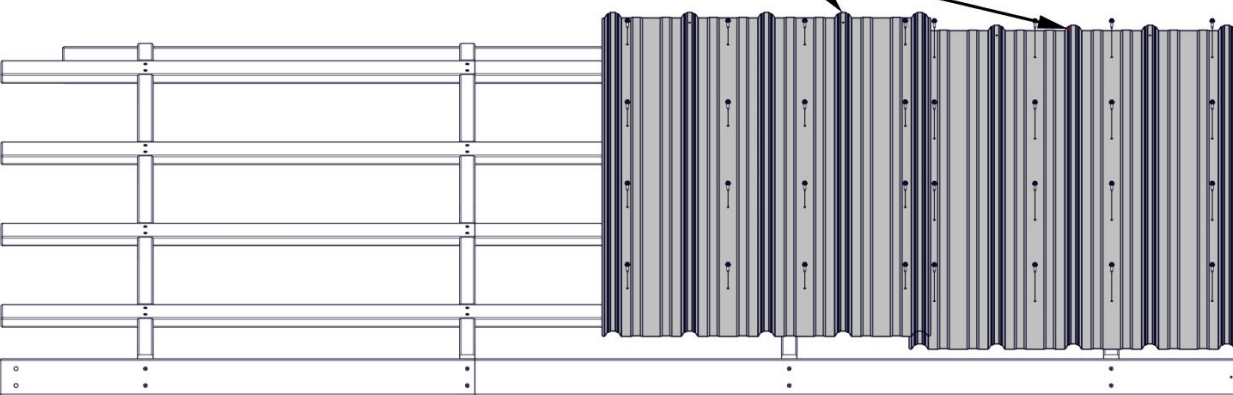
NOTE RIB OVERLAP

833 (x32)
SCREW - 3/4"

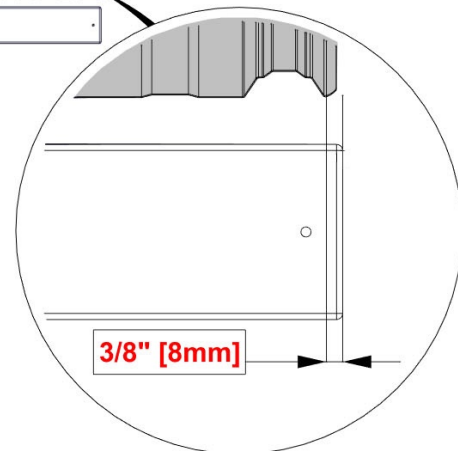


MAKE SURE YOUR ROOF PANEL IS SQUARE BEFORE MOVING ON.

1124 (x2)
29 GA STEEL SHEETING



HOLD SHEETING INSIDE OF FRAME MEASURING FROM RIB AS SHOWN.



3/8" [8mm]

STEP 30 - ROOF PANEL A ASSEMBLY

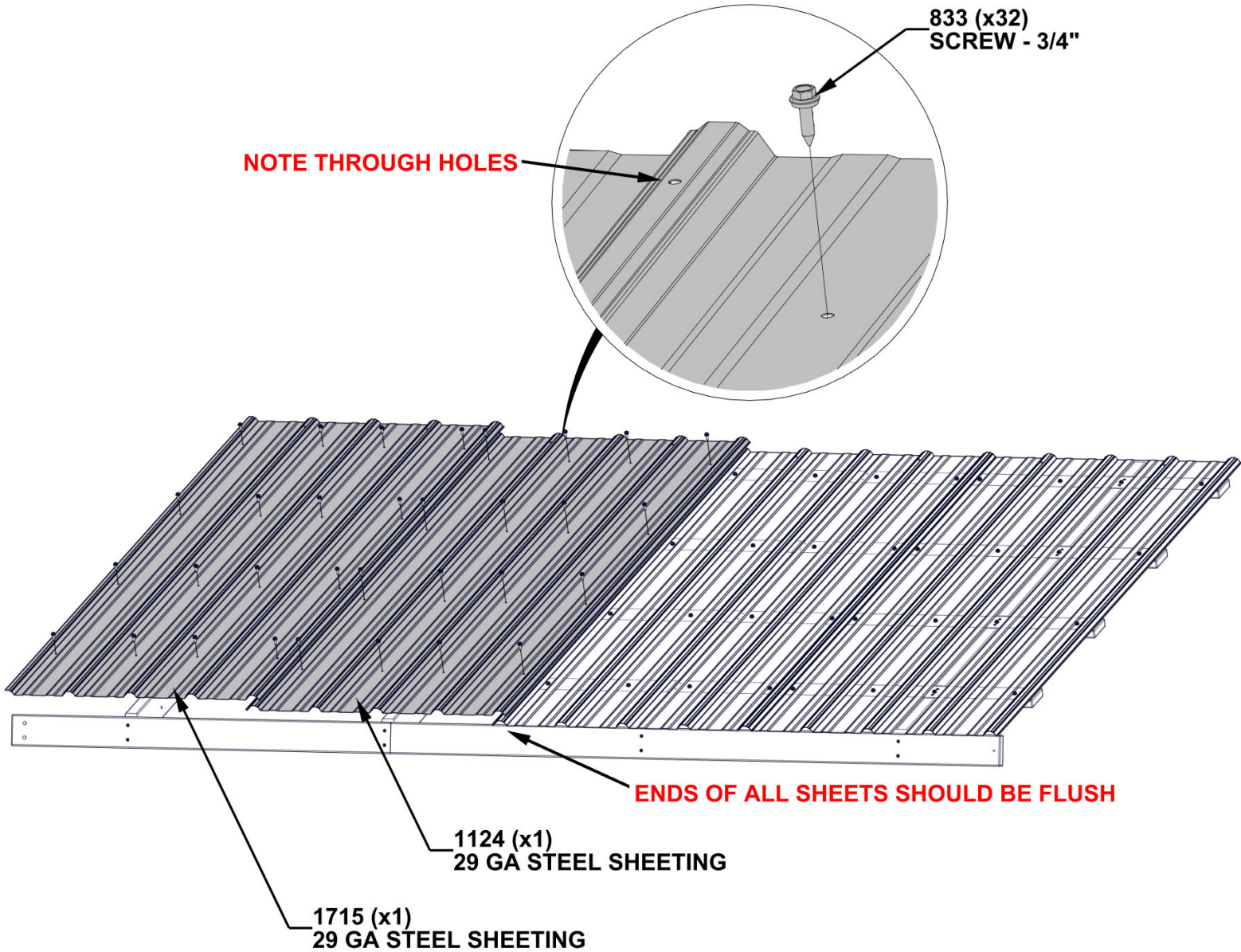
QTY	PART NUMBER	DESCRIPTION
32	H100833	SCREW WOODGRIP 10-16x3/4



A4M01715 29 GA STEEL SHEETING
(x1)



A4M01124 29 GA STEEL SHEETING
(x1)



STEP 31 - ROOF PANEL B ASSEMBLY

QTY	PART NUMBER	DESCRIPTION
16	H100391	SCREW PFH 8x2 BLK



E01 RAFTER - W4L16382
(x2) 1 3/8"x3 3/8"x77 3/8" (36x86x1965)



E08 RAFTER - W4L16755
(x2) 1 3/8"x3 3/8"x77 3/8" (36x86x1965)



H01 FASCIA - W4L16383
(x1) 1"x3 3/8"x68 5/8" (24x86x1742)



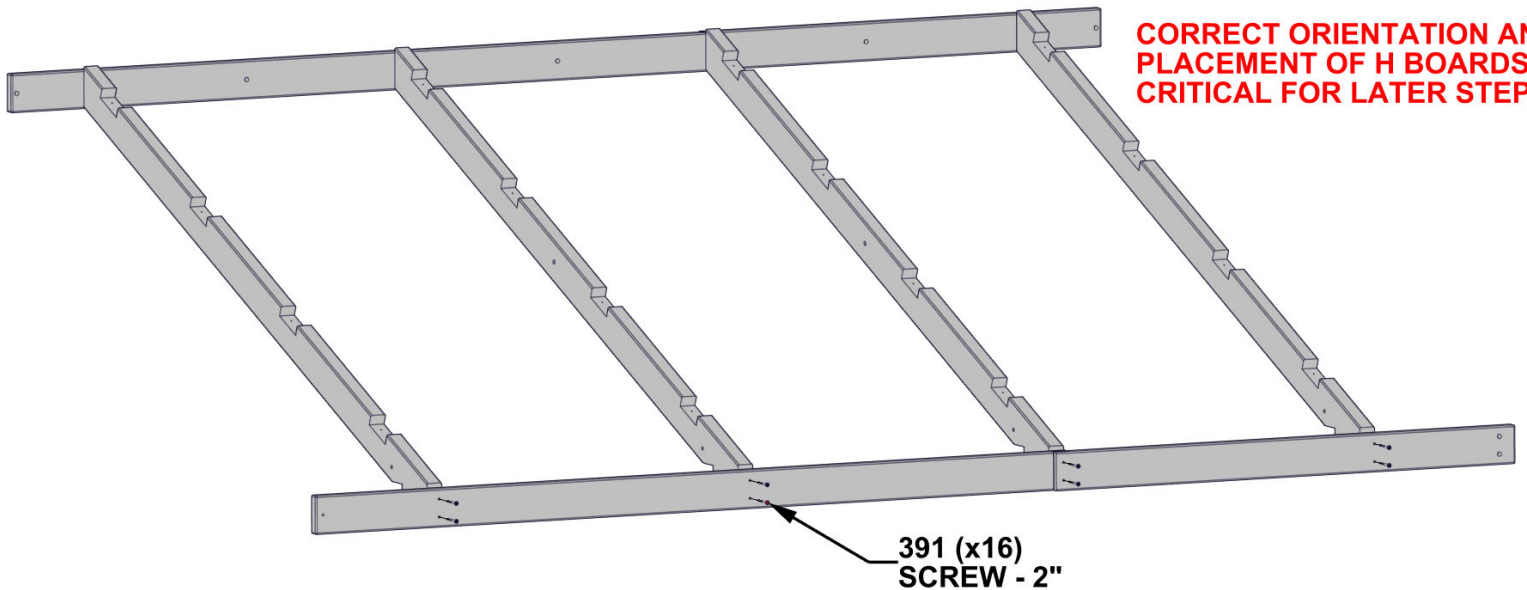
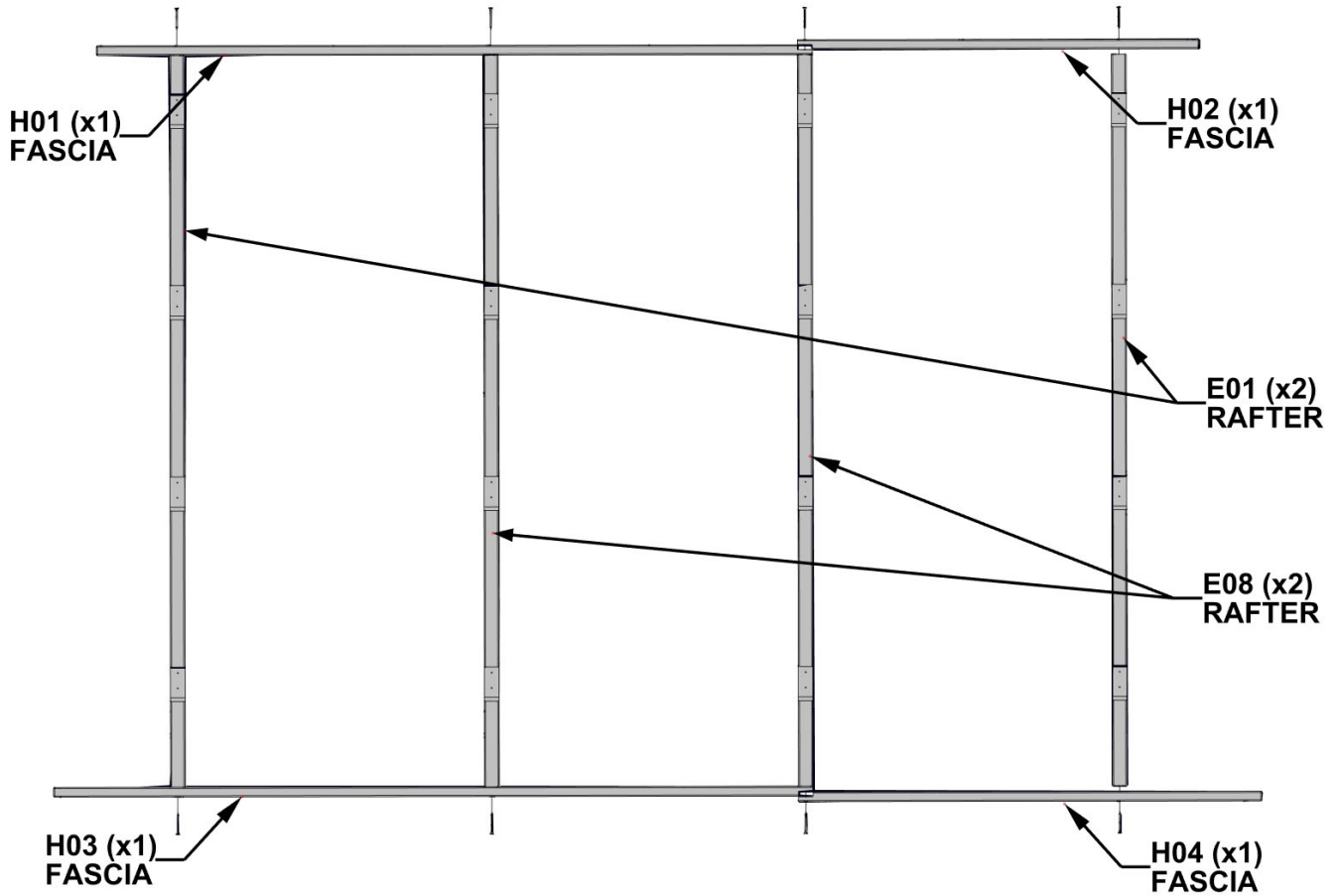
H02 FASCIA - W4L16384
(x1) 1"x3 3/8"x38 1/2" (24x86x978)



H03 FASCIA - W4L16385
(x1) 1"x3 3/8"x72 3/4" (24x86x1849)



H04 FASCIA - W4L16386
(x1) 1"x3 3/8"x44 3/8" (24x86x1128)



CORRECT ORIENTATION AND PLACEMENT OF H BOARDS IS CRITICAL FOR LATER STEPS.

STEP 32A - ROOF PANEL B ASSEMBLY

QTY	PART NUMBER	DESCRIPTION
32	H100391	SCREW PFH 8x2 BLK



H05 SHEATHING BOARD - W4L16392
(x2) 1"x3 3/8"x72 3/4" (24x86x1849)



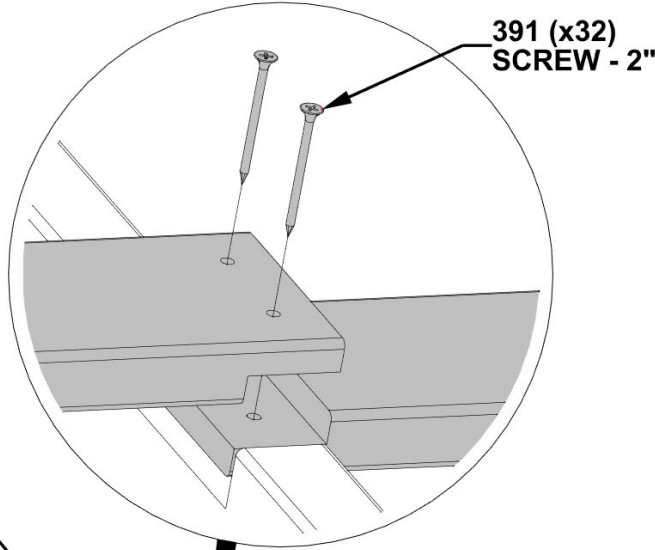
H07 SHEATHING BOARD - W4L16394
(x2) 1"x3 3/8"x42 3/4" (24x86x1085)



H06 SHEATHING BOARD - W4L16393
(x2) 1"x3 3/8"x74 3/8" (24x86x1888)



H08 SHEATHING BOARD - W4L16395
(x2) 1"x3 3/8"x44 1/4" (24x86x1124)



H05 (x2)
SHEATHING BOARD

H08 (x2)
SHEATHING BOARD

H07 (x2)
SHEATHING BOARD

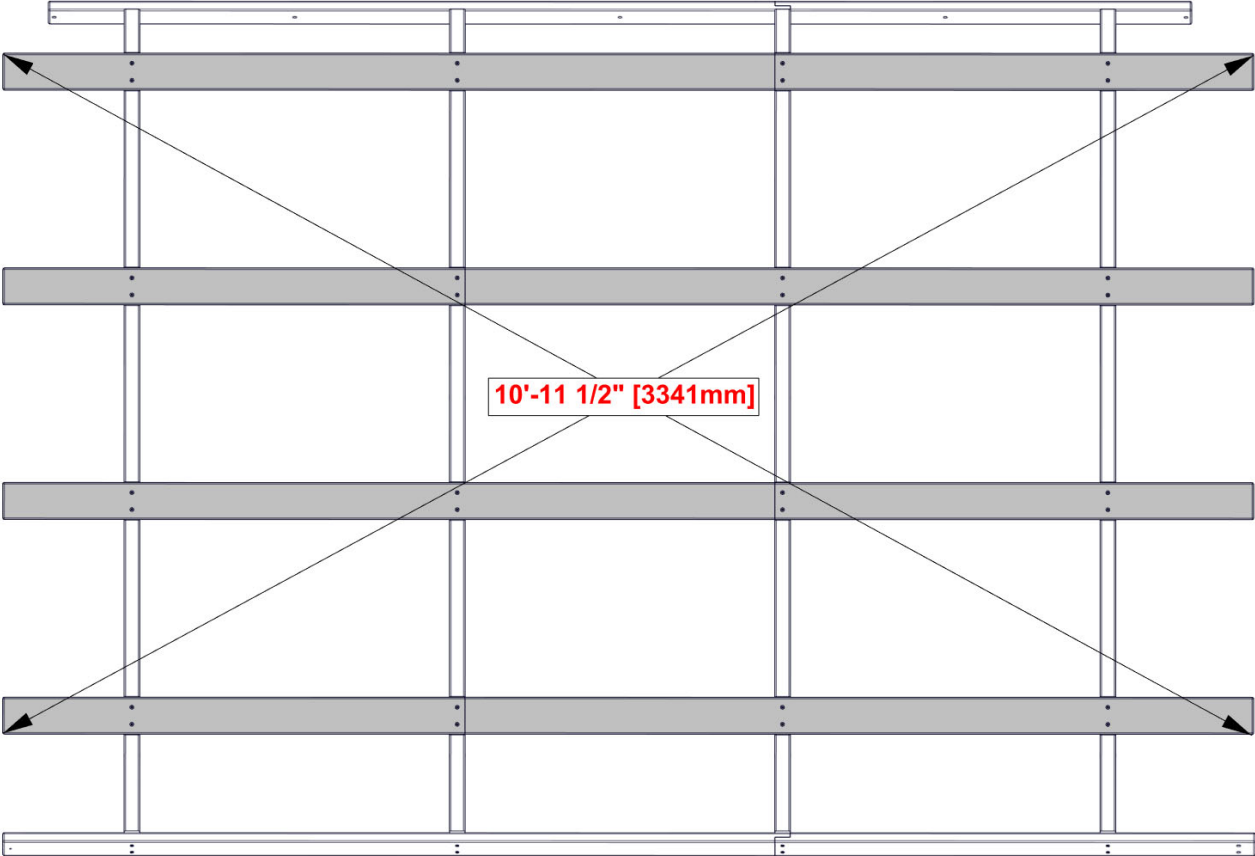
H06 (x2)
SHEATHING BOARD

**H06 AND H08 BOARDS
GO ON THE SIDE WITH
TWO PILOT HOLES.**

STEP 32B - ROOF PANEL B ASSEMBLY

TIP: LOOSEN HARDWARE TO ADJUST FOR SQUARING IF NEEDED

- CRITICAL:**
- SQUARE UNIT BEFORE PROCEEDING TO NEXT STEPS.
 - THE BELOW DIMENSIONS ARE CRITICAL TO THE FINAL ROOF ASSEMBLY.
 - MEASUREMENTS SHOULD BE HELD WITHIN +/- 1/4".
 - MEASUREMENTS OUTSIDE OF TOLERANCE WILL LEAD TO THE INABILITY TO ASSEMBLE THE ROOF.



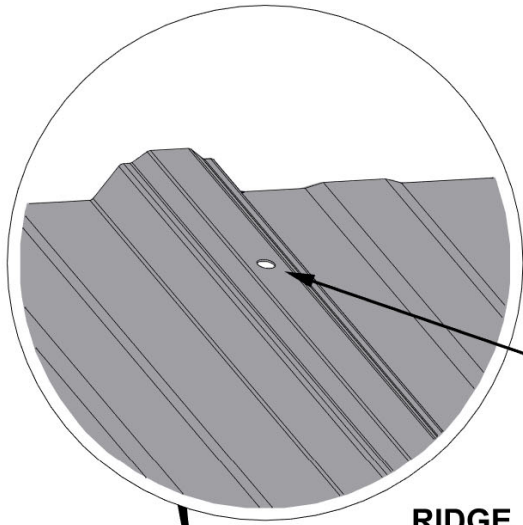
STEP 33 - ROOF PANEL B ASSEMBLY

ROOF PANEL B

USE THIS PAGE TO FAMILIARIZE YOURSELF WITH THE ROOF PANEL AND ASSIST YOU IN STEPS 34-35.

TIPS:

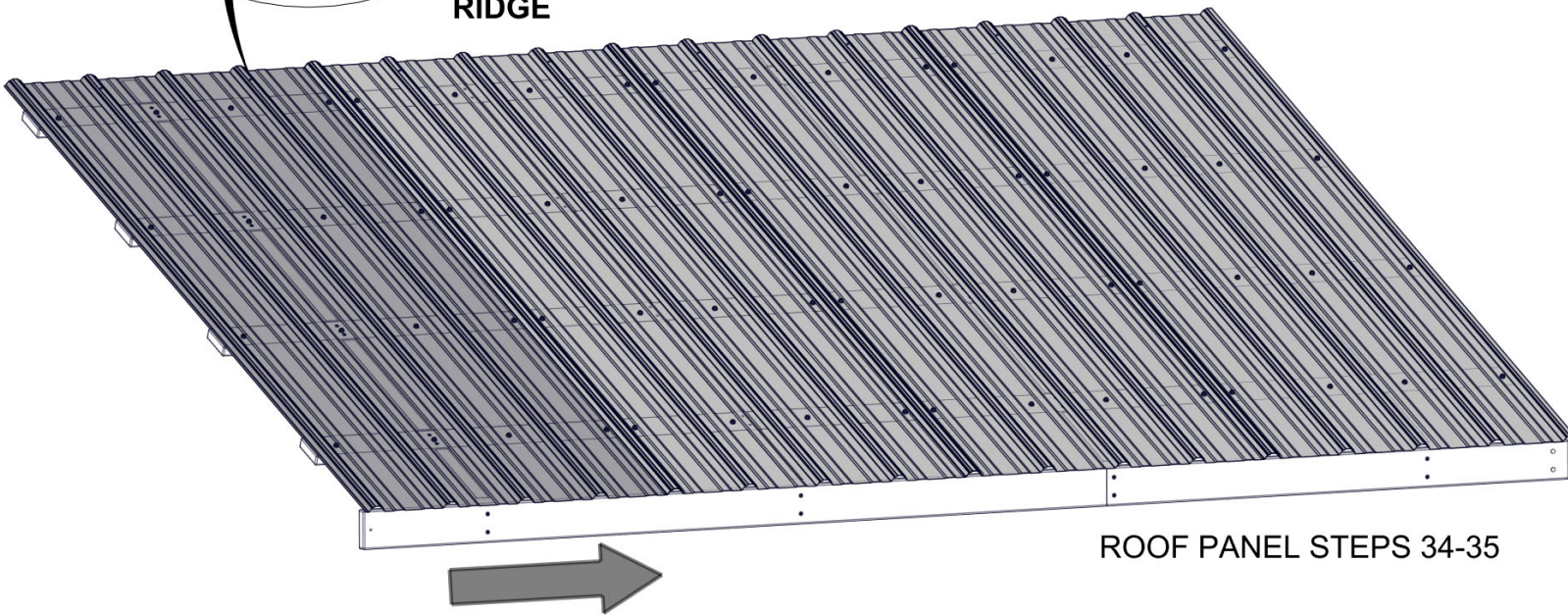
- REMOVE PROTECTIVE BLUE FILM
- START AT THE END INDICATED AND ASSEMBLE IN THE DIRECTION OF THE ARROW



GLOVES SHOULD BE WORN WHEN HANDLING ROOF PANELS: EDGES ARE SHARP.

THE PRE-DRILLED HOLES ON EACH PANEL SHOULD ALWAYS BE POSITIONED ON THE RIDGE SIDE.

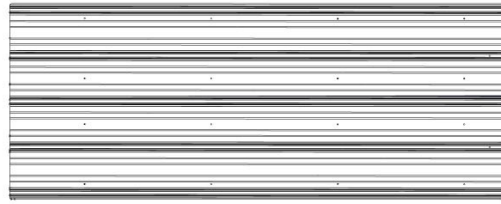
RIDGE



ROOF PANEL STEPS 34-35

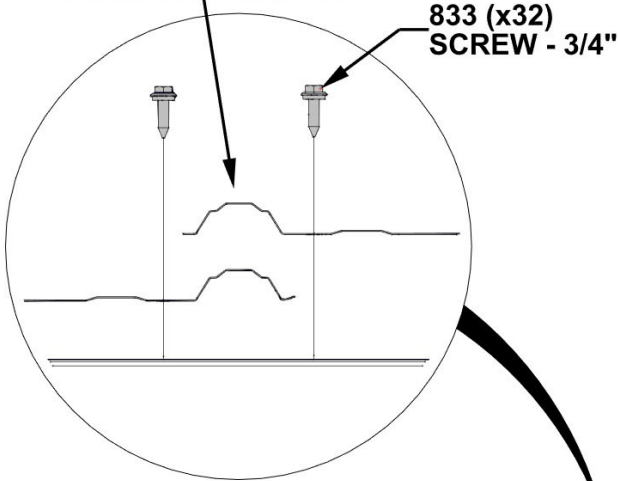
STEP 34 - ROOF PANEL B ASSEMBLY

QTY	PART NUMBER	DESCRIPTION
32	H100833	SCREW WOODGRIP 10-16x3/4"

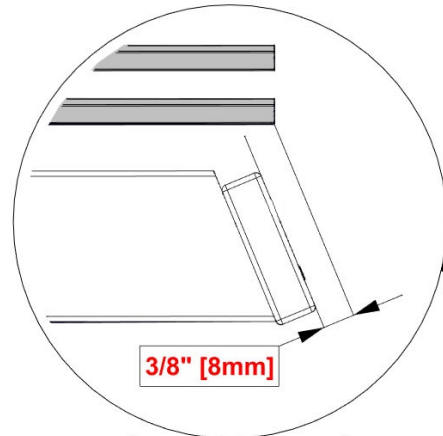


A4M01124 29 GA STEEL SHEETING (x2)

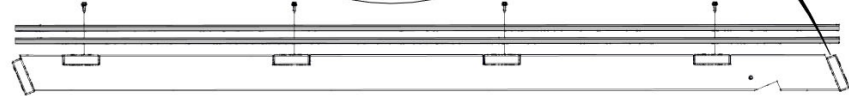
NOTE RIB OVERLAP



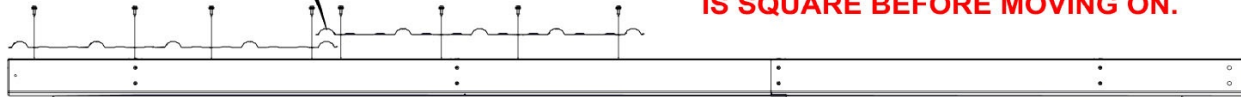
833 (x32)
SCREW - 3/4"



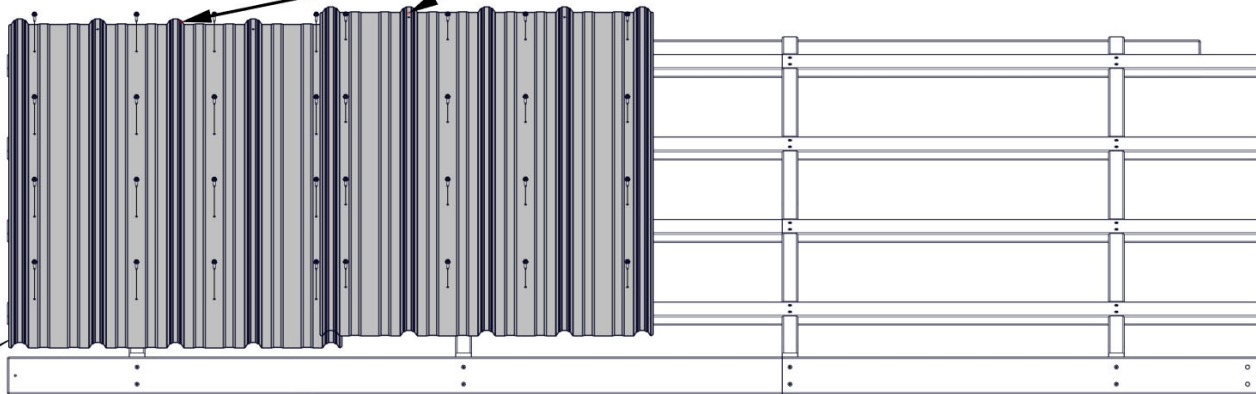
3/8" [8mm]



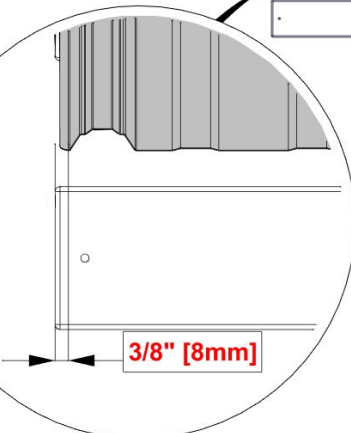
MAKE SURE YOUR ROOF PANEL IS SQUARE BEFORE MOVING ON.



1124 (x2)
29 GA STEEL SHEETING



HOLD SHEETING INSIDE OF FRAME MEASURING FROM RIB AS SHOWN.



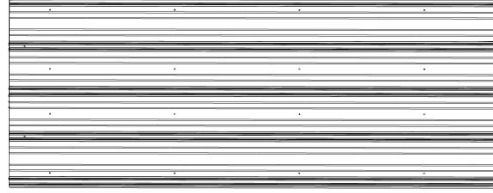
3/8" [8mm]

STEP 35 - ROOF PANEL B ASSEMBLY

QTY	PART NUMBER	DESCRIPTION
32	H100833	SCREW WOODGRIP 10-16x3/4



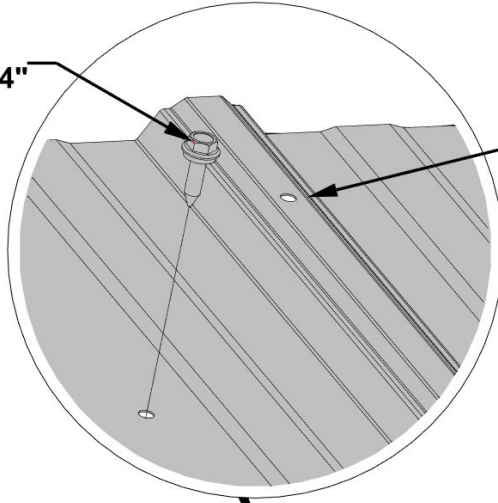
A4M01124 29 GA STEEL SHEETING
(x1)



A4M01718 29 GA STEEL SHEETING
(x1)

833 (x32)
SCREW - 3/4"

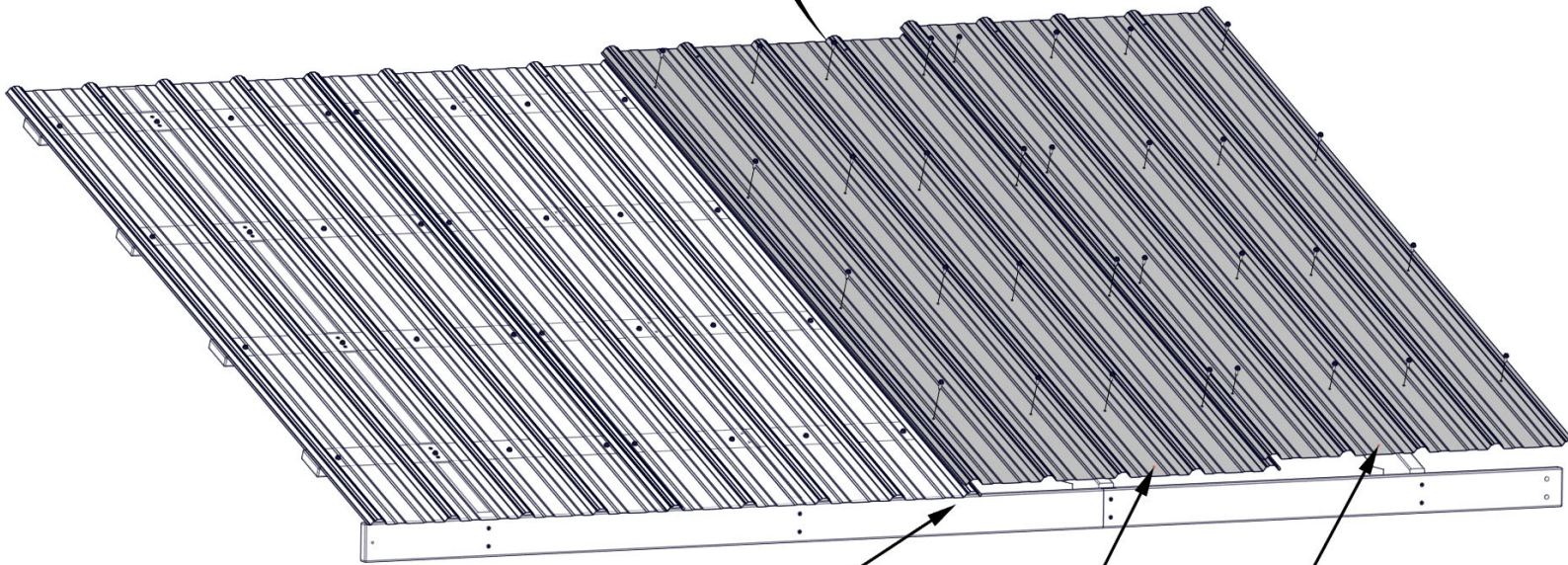
NOTE THROUGH HOLES



ENDS OF ALL SHEETS SHOULD BE FLUSH

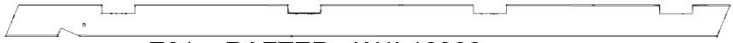
1124 (x1)
29 GA STEEL SHEETING

1718 (x1)
29 GA STEEL SHEETING



STEP 36 - ROOF PANEL C ASSEMBLY

QTY	PART NUMBER	DESCRIPTION
16	H100391	SCREW PFH 8x2 BLK



E01 RAFTER - W4L16382
(x2) 1 3/8"x3 3/8"x77 3/8" (36x86x1965)



E08 RAFTER - W4L16755
(x2) 1 3/8"x3 3/8"x77 3/8" (36x86x1965)



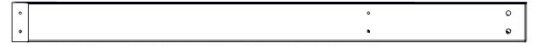
H01 FASCIA - W4L16383
(x1) 1"x3 3/8"x68 5/8" (24x86x1742)



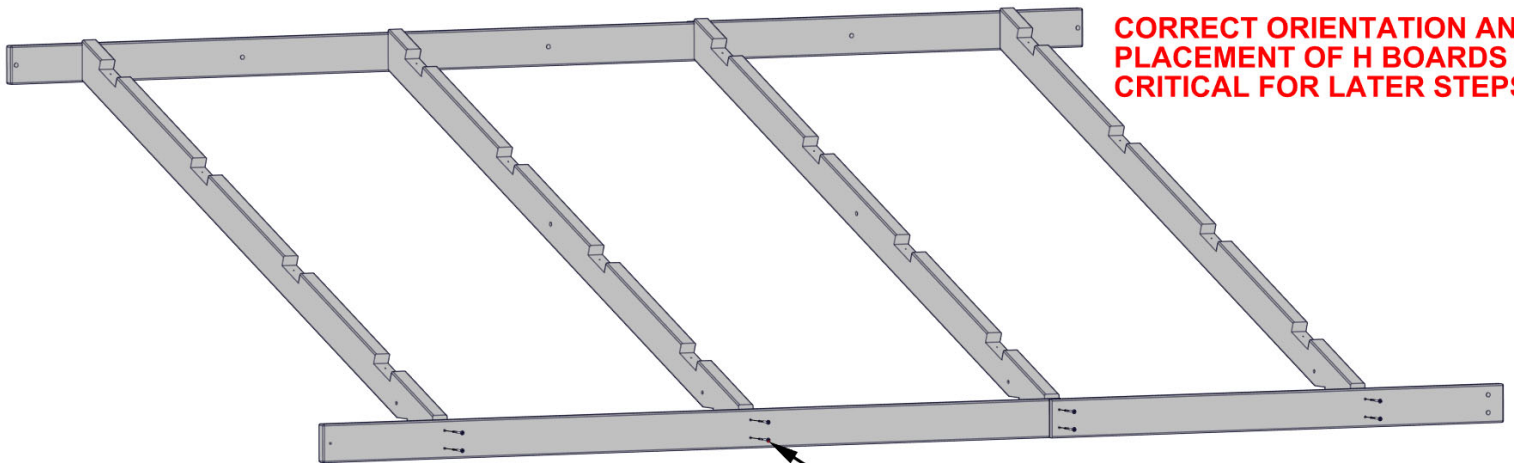
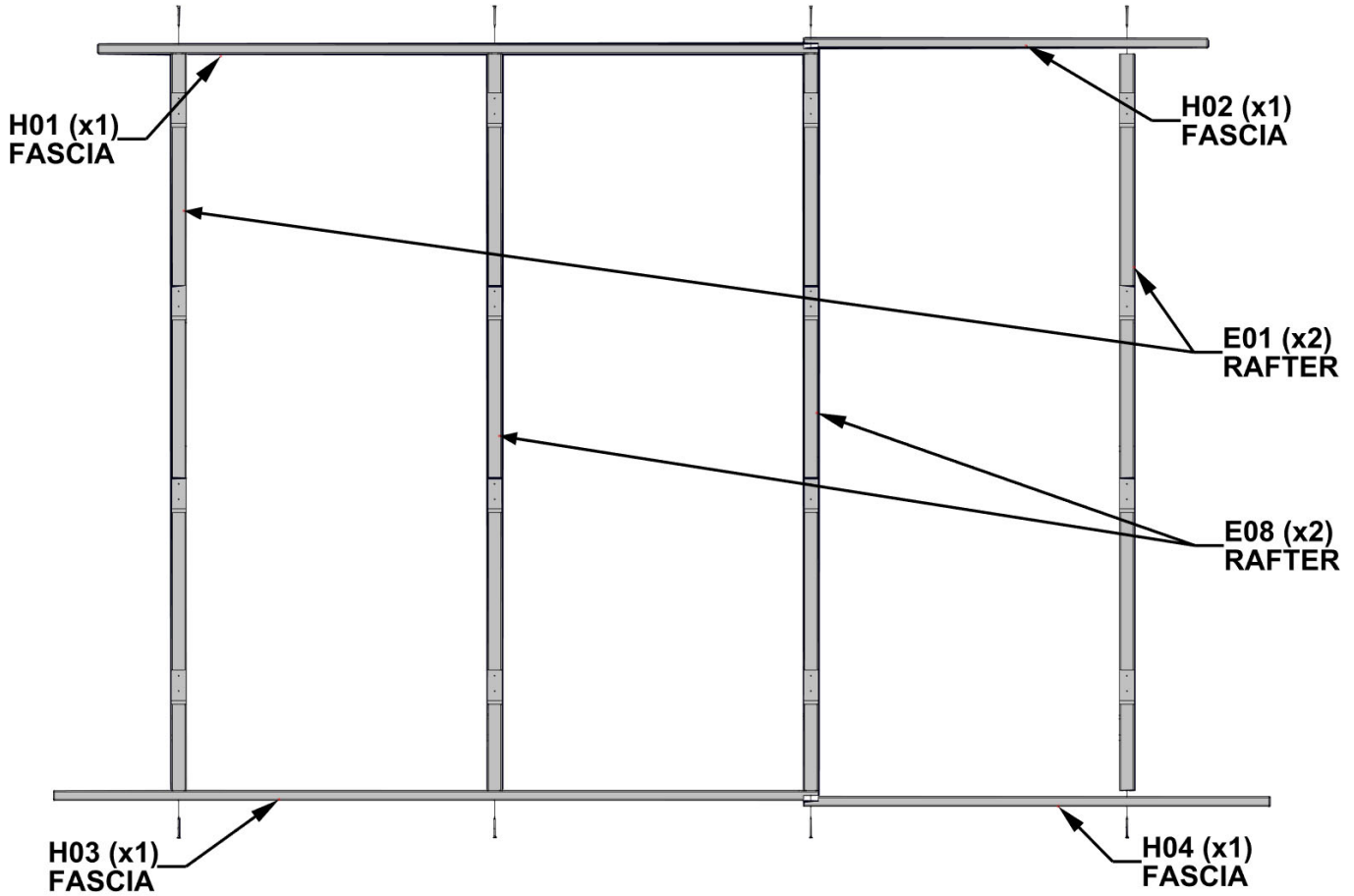
H02 FASCIA - W4L16384
(x1) 1"x3 3/8"x38 1/2" (24x86x978)



H03 FASCIA - W4L16385
(x1) 1"x3 3/8"x72 3/4" (24x86x1849)



H04 FASCIA - W4L16386
(x1) 1"x3 3/8"x44 3/8" (24x86x1128)



CORRECT ORIENTATION AND PLACEMENT OF H BOARDS IS CRITICAL FOR LATER STEPS.

391 (x16)
SCREW - 2"

STEP 37A - ROOF PANEL C ASSEMBLY

QTY	PART NUMBER	DESCRIPTION
32	H100391	SCREW PFH 8x2 BLK



H05 SHEATHING BOARD - W4L16392
(x2) 1"x3 3/8"x72 3/4" (24x86x1849)



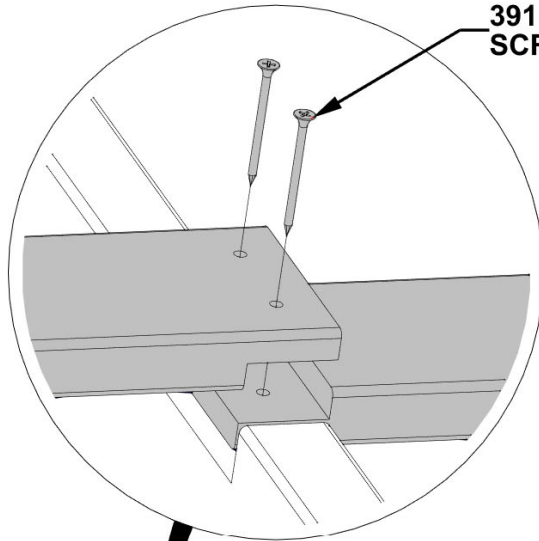
H06 SHEATHING BOARD - W4L16393
(x2) 1"x3 3/8"x74 3/8" (24x86x1888)



H07 SHEATHING BOARD - W4L16394
(x2) 1"x3 3/8"x42 3/4" (24x86x1085)



H08 SHEATHING BOARD - W4L16395
(x2) 1"x3 3/8"x44 1/4" (24x86x1124)



391 (x32)
SCREW - 2"

H05 (x2)
SHEATHING BOARD

H08 (x2)
SHEATHING BOARD

H07 (x2)
SHEATHING BOARD

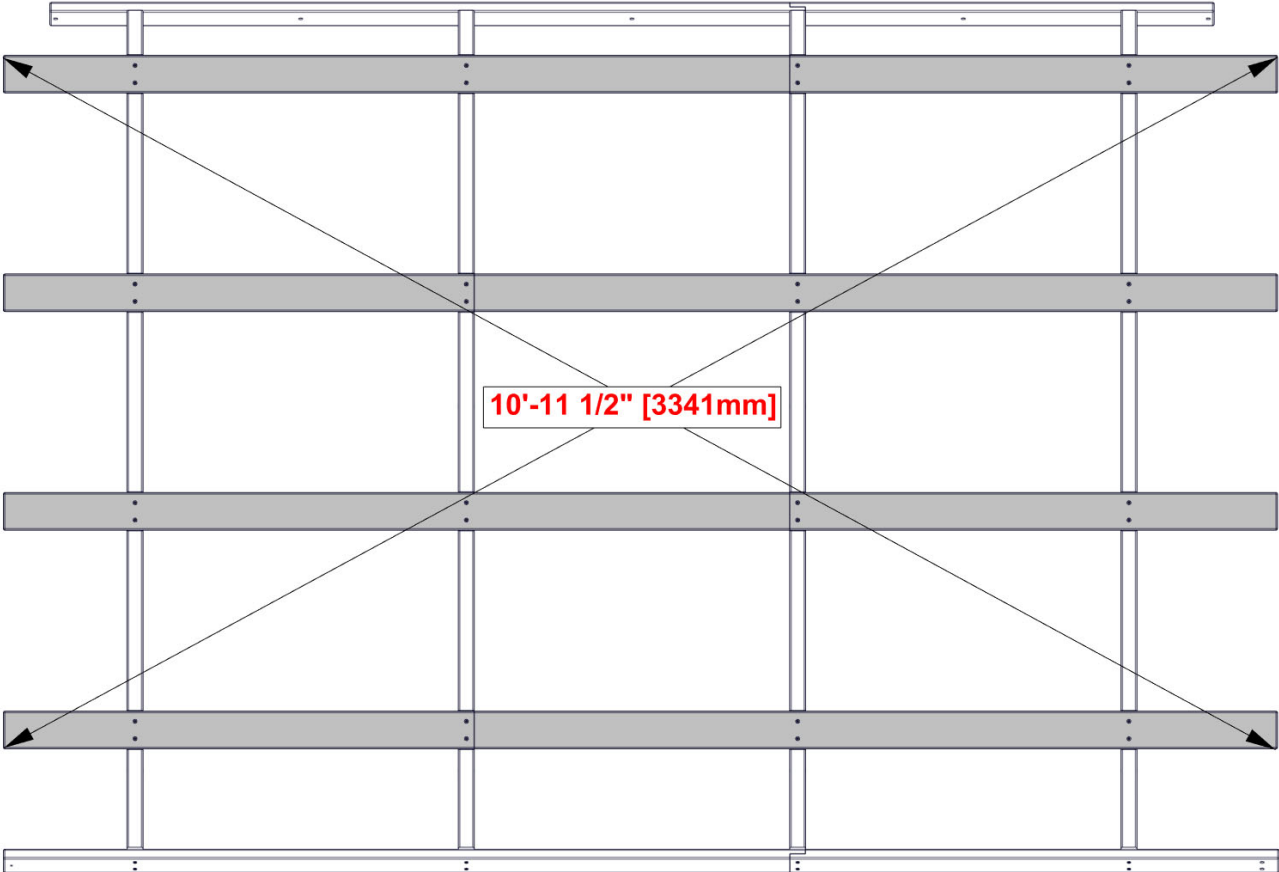
H06 (x2)
SHEATHING BOARD

**H06 AND H08 BOARDS
GO ON THE SIDE WITH
TWO PILOT HOLES.**

STEP 37B - ROOF PANEL C ASSEMBLY

TIP: LOOSEN HARDWARE TO ADJUST FOR SQUARING IF NEEDED

- CRITICAL:**
- SQUARE UNIT BEFORE PROCEEDING TO NEXT STEPS.
 - THE BELOW DIMENSIONS ARE CRITICAL TO THE FINAL ROOF ASSEMBLY.
 - MEASUREMENTS SHOULD BE HELD WITHIN +/- 1/4".
 - MEASUREMENTS OUTSIDE OF TOLERANCE WILL LEAD TO THE INABILITY TO ASSEMBLE THE ROOF.



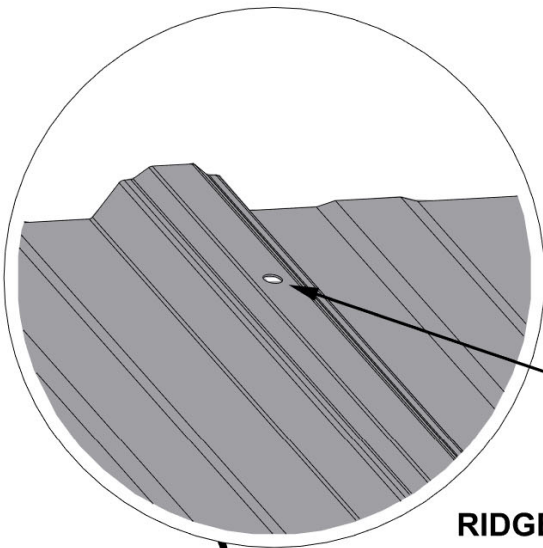
STEP 38 ROOF PANEL C ASSEMBLY

ROOF PANEL C

USE THIS PAGE TO FAMILIARIZE YOURSELF WITH THE ROOF PANEL AND ASSIST YOU IN STEPS 39-40.

TIPS:

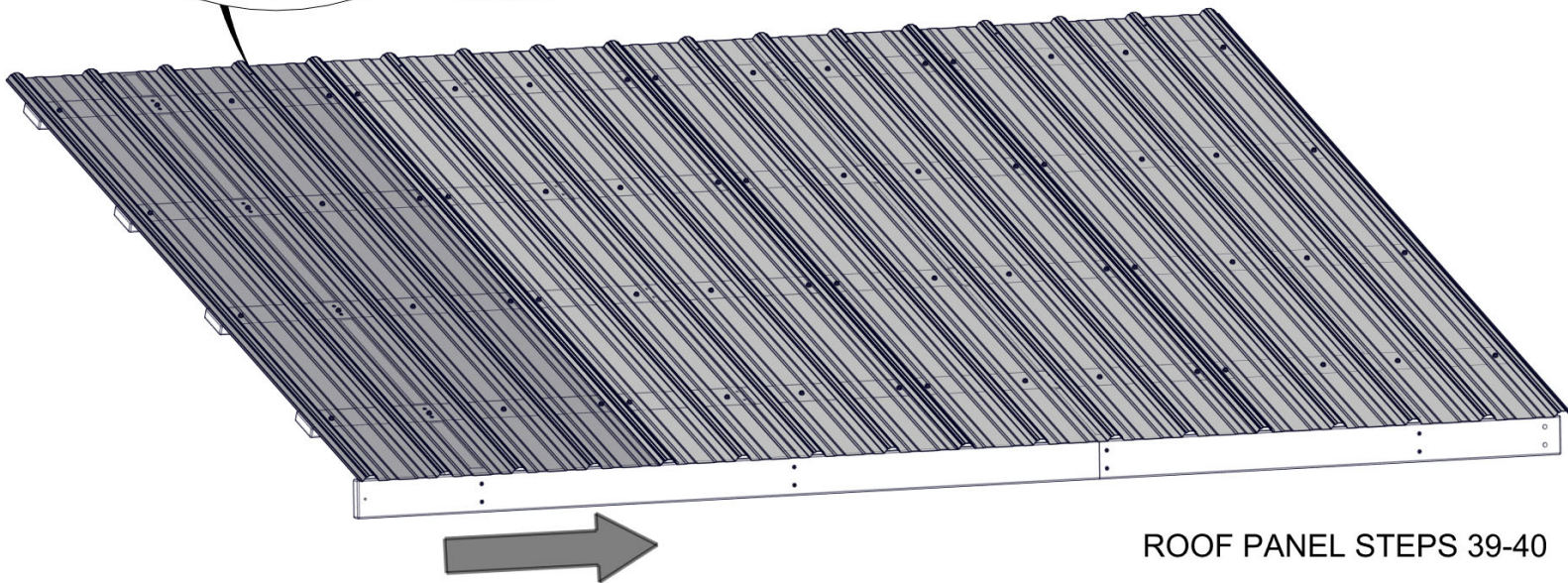
- REMOVE PROTECTIVE BLUE FILM
- START AT THE END INDICATED AND ASSEMBLE IN THE DIRECTION OF THE ARROW



GLOVES SHOULD BE WORN WHEN HANDLING ROOF PANELS: EDGES ARE SHARP.

THE PRE-DRILLED HOLES ON EACH PANEL SHOULD ALWAYS BE POSITIONED ON THE RIDGE SIDE.

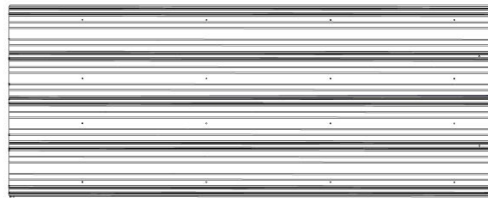
RIDGE



ROOF PANEL STEPS 39-40

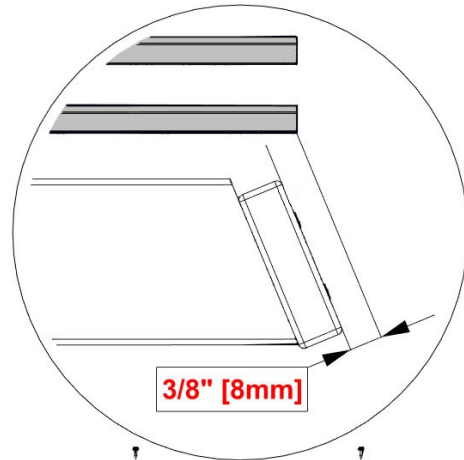
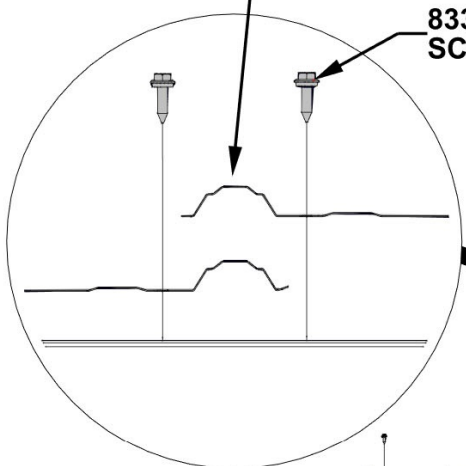
STEP 39 - ROOF PANEL C ASSEMBLY

QTY	PART NUMBER	DESCRIPTION
32	H100833	SCREW WOODGRIP 10-16x3/4"

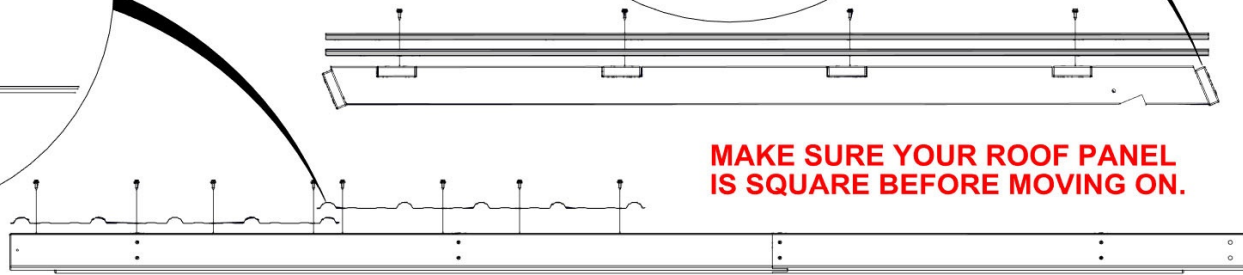


NOTE RIB OVERLAP

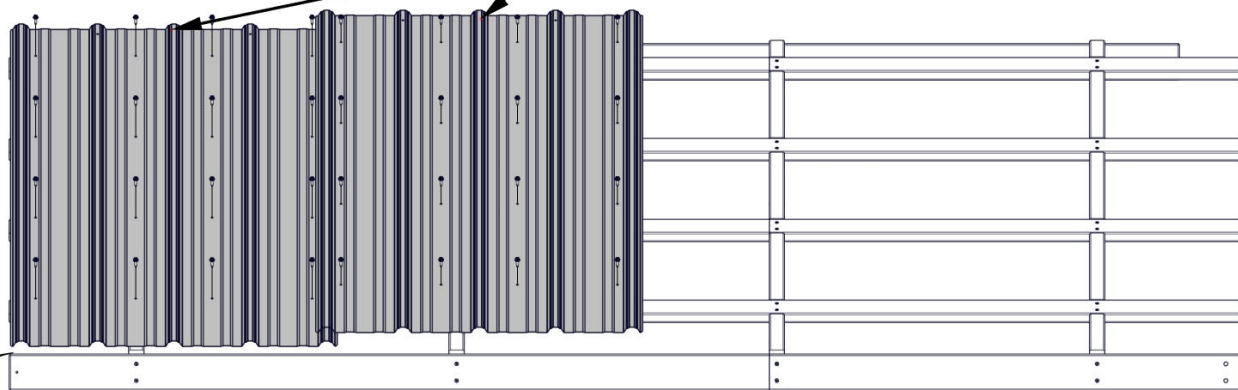
833 (x32)
SCREW - 3/4"



MAKE SURE YOUR ROOF PANEL IS SQUARE BEFORE MOVING ON.



1124 (x2)
29 GA STEEL SHEETING

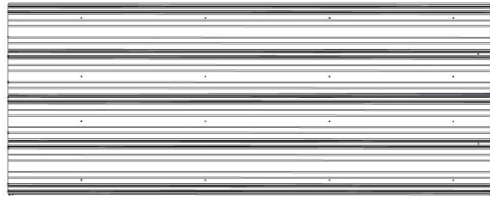


HOLD SHEETING INSIDE OF FRAME MEASURING FROM RIB AS SHOWN.

3/8" [8mm]

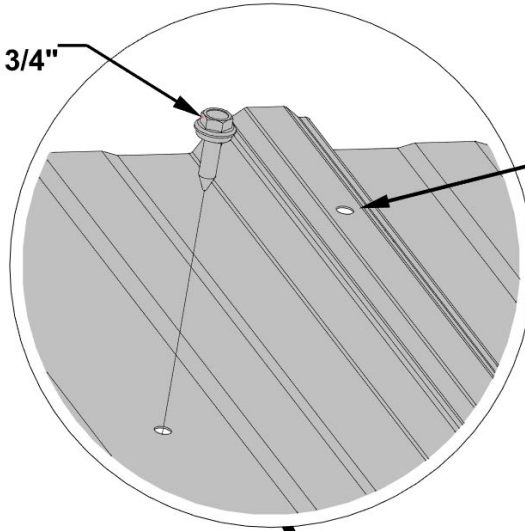
STEP 40 - ROOF PANEL C ASSEMBLY

QTY	PART NUMBER	DESCRIPTION
32	H100833	SCREW WOODGRIP 10-16x3/4

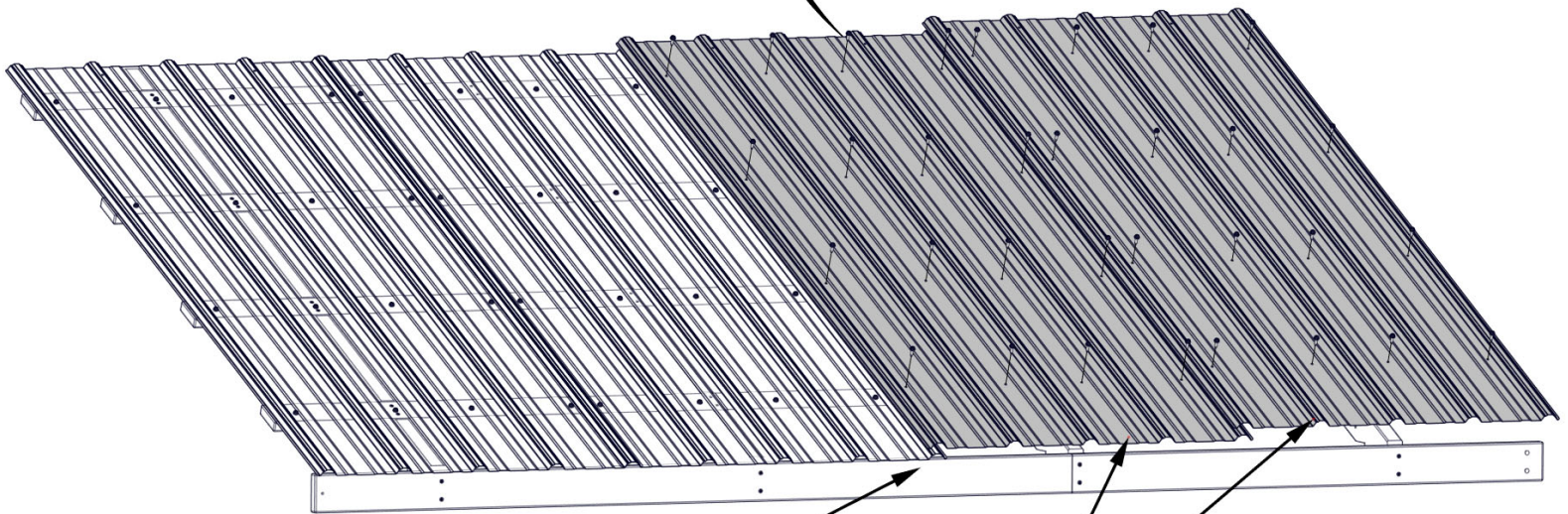


A4M01124 29 GA STEEL SHEETING
(x2)

833 (x32)
SCREW - 3/4"



NOTE THROUGH HOLES



ENDS OF ALL SHEETS SHOULD BE FLUSH

1124 (x2)
29 GA STEEL SHEETING

STEP 41 - ROOF PANEL D ASSEMBLY

QTY	PART NUMBER	DESCRIPTION
16	H100391	SCREW PFH 8x2 BLK



E01 RAFTER - W4L16382
(x2) 1 3/8"x3 3/8"x77 3/8" (36x86x1965)



E08 RAFTER - W4L16755
(x2) 1 3/8"x3 3/8"x77 3/8" (36x86x1965)



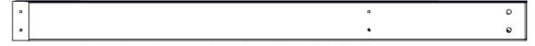
H01 FASCIA - W4L16383
(x1) 1"x3 3/8"x68 5/8" (24x86x1742)



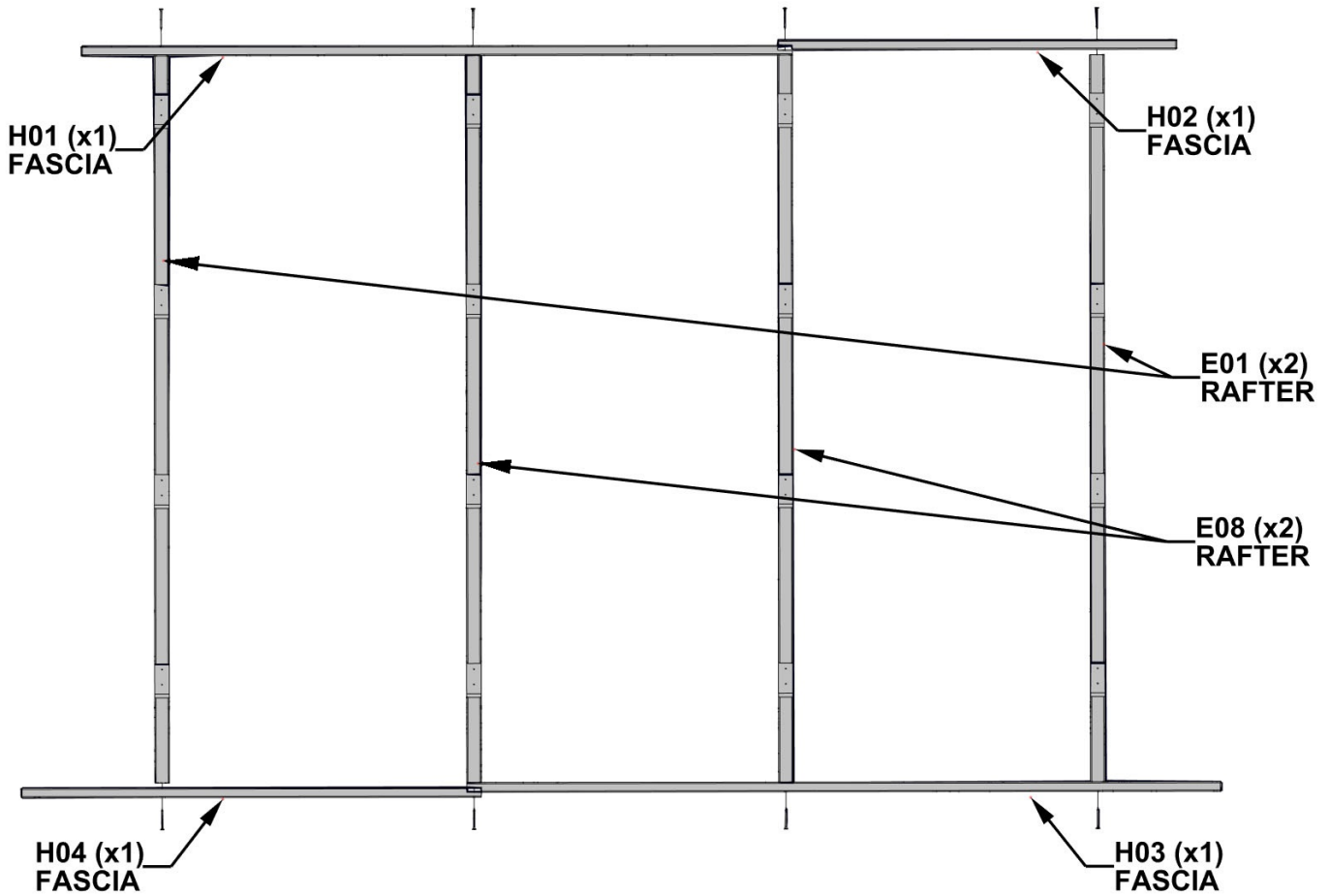
H02 FASCIA - W4L16384
(x1) 1"x3 3/8"x38 1/2" (24x86x978)



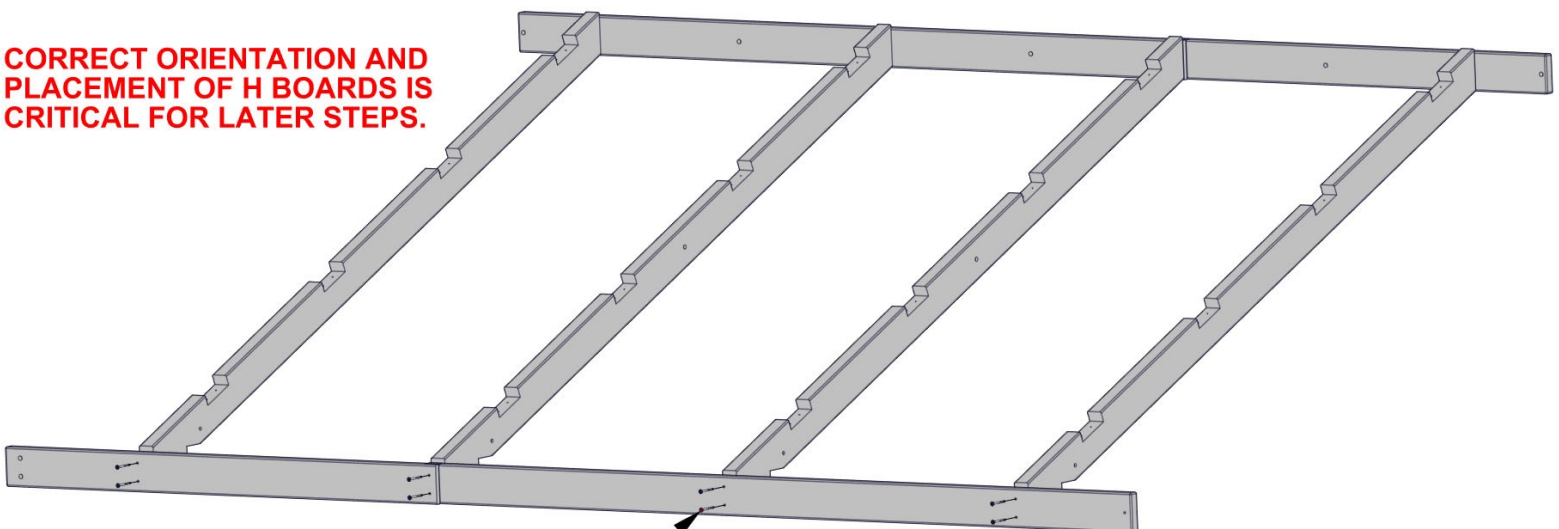
H03 FASCIA - W4L16385
(x1) 1"x3 3/8"x72 3/4" (24x86x1849)



H04 FASCIA - W4L16386
(x1) 1"x3 3/8"x44 3/8" (24x86x1128)



CORRECT ORIENTATION AND PLACEMENT OF H BOARDS IS CRITICAL FOR LATER STEPS.



391 (x16)
SCREW - 2"

STEP 42A - ROOF PANEL D ASSEMBLY

QTY	PART NUMBER	DESCRIPTION
32	H100391	SCREW PFH 8x2 BLK



H05 SHEATHING BOARD - W4L16392
(x2) 1"x3 3/8"x72 3/4" (24x86x1849)



H07 SHEATHING BOARD - W4L16394
(x2) 1"x3 3/8"x42 3/4" (24x86x1085)

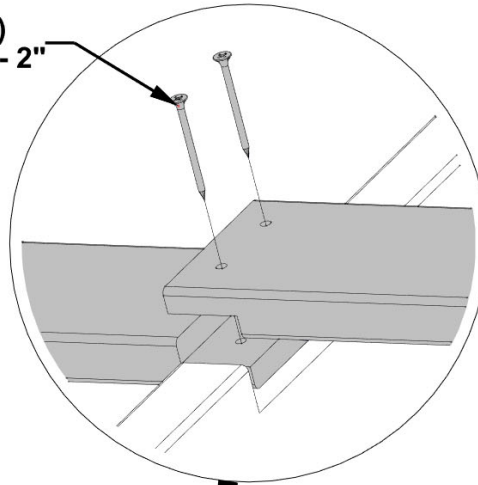


H06 SHEATHING BOARD - W4L16393
(x2) 1"x3 3/8"x74 3/8" (24x86x1888)



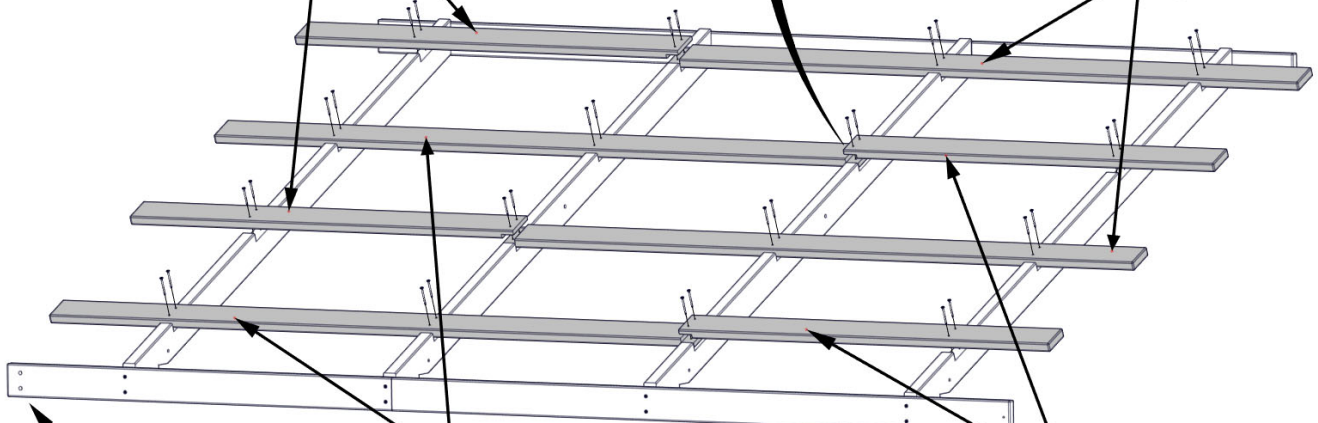
H08 SHEATHING BOARD - W4L16395
(x2) 1"x3 3/8"x44 1/4" (24x86x1124)

391 (x32)
SCREW - 2"



H08 (x2)
SHEATHING BOARD

H05 (x2)
SHEATHING BOARD



H06 (x2)
SHEATHING BOARD

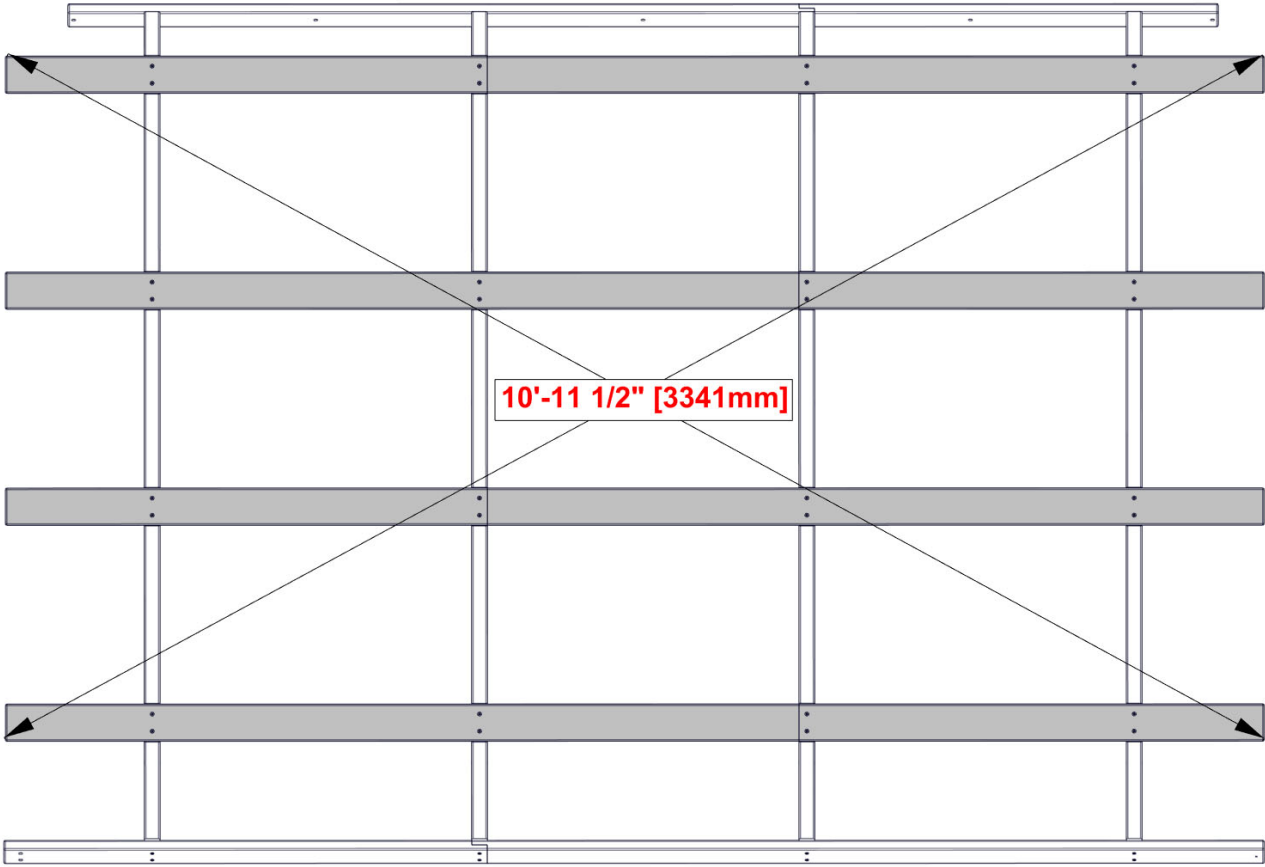
H07 (x2)
SHEATHING BOARD

**H06 AND H08 BOARDS
GO ON THE SIDE WITH
TWO PILOT HOLES.**

STEP 42B - ROOF PANEL D ASSEMBLY

TIP: LOOSEN HARDWARE TO ADJUST FOR SQUARING IF NEEDED

- CRITICAL:**
- SQUARE UNIT BEFORE PROCEEDING TO NEXT STEPS.
 - THE BELOW DIMENSIONS ARE CRITICAL TO THE FINAL ROOF ASSEMBLY.
 - MEASUREMENTS SHOULD BE HELD WITHIN +/- 1/4".
 - MEASUREMENTS OUTSIDE OF TOLERANCE WILL LEAD TO THE INABILITY TO ASSEMBLE THE ROOF.



STEP 43 - ROOF PANEL D ASSEMBLY

ROOF PANEL D

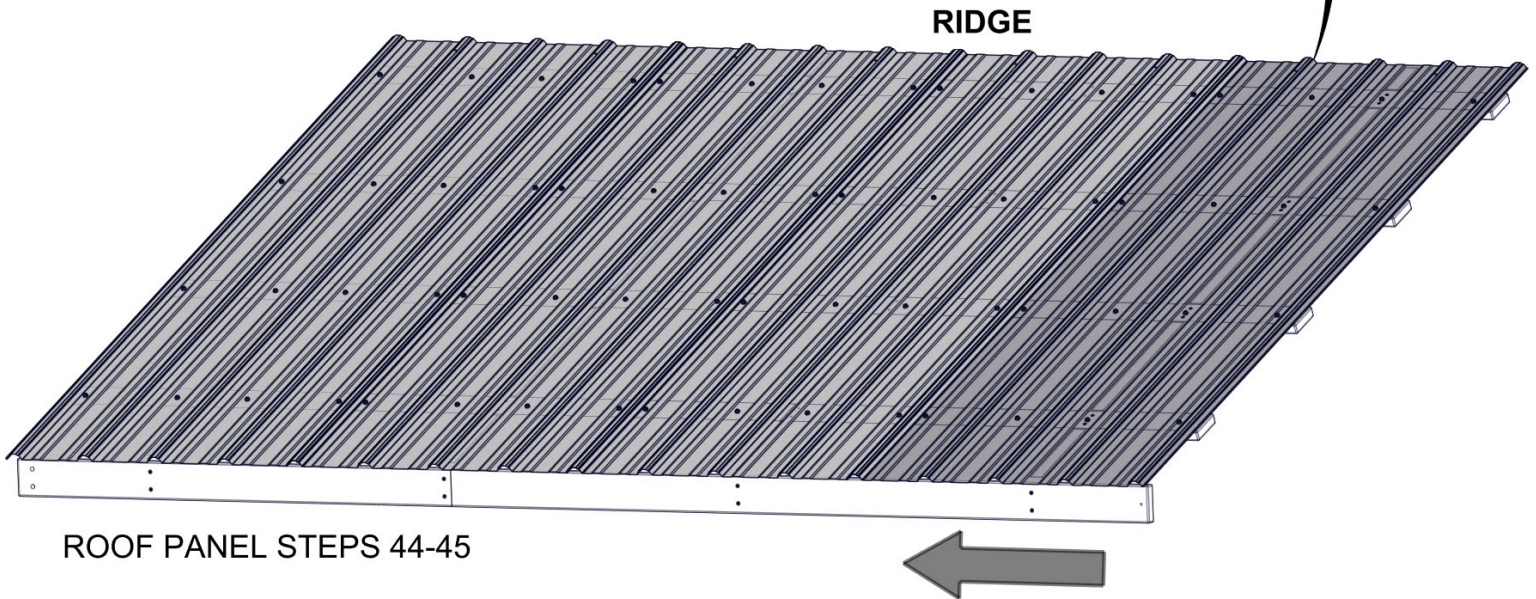
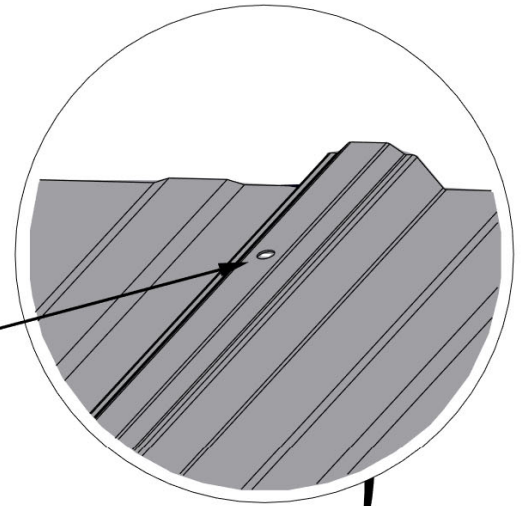
USE THIS PAGE TO FAMILIARIZE YOURSELF WITH THE ROOF PANEL AND ASSIST YOU IN STEPS 44-45.

TIPS:

- REMOVE PROTECTIVE BLUE FILM
- START AT THE END INDICATED AND ASSEMBLE IN THE DIRECTION OF THE ARROW

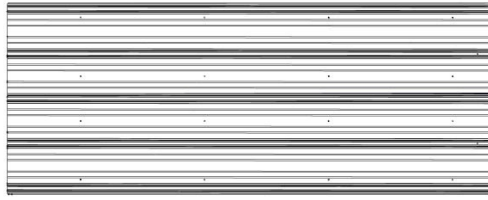
GLOVES SHOULD BE WORN WHEN HANDLING ROOF PANELS: EDGES ARE SHARP.

THE PRE-DRILLED HOLES ON EACH PANEL SHOULD ALWAYS BE POSITIONED ON THE RIDGE SIDE.

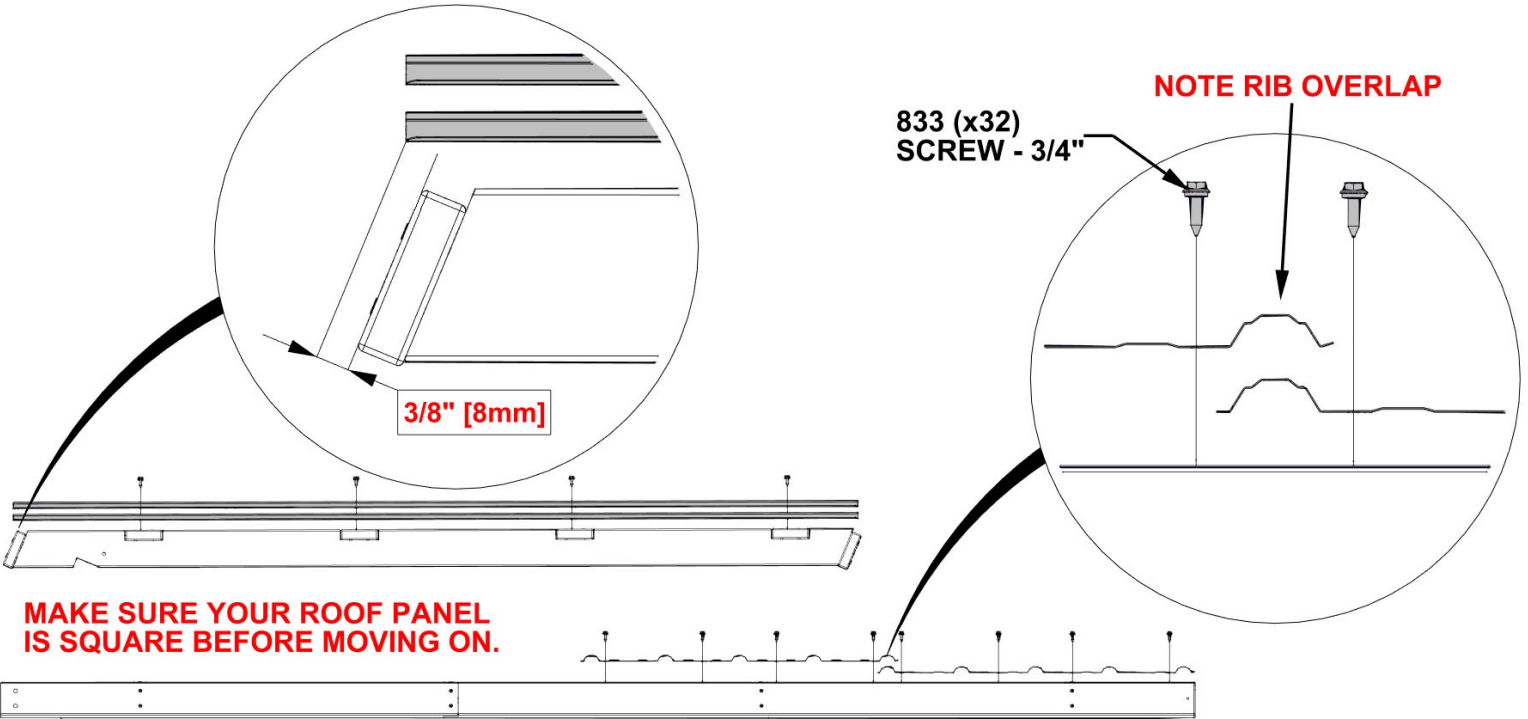


STEP 44 - ROOF PANEL D ASSEMBLY

QTY	PART NUMBER	DESCRIPTION
32	H100833	SCREW WOODGRIP 10-16x3/4"

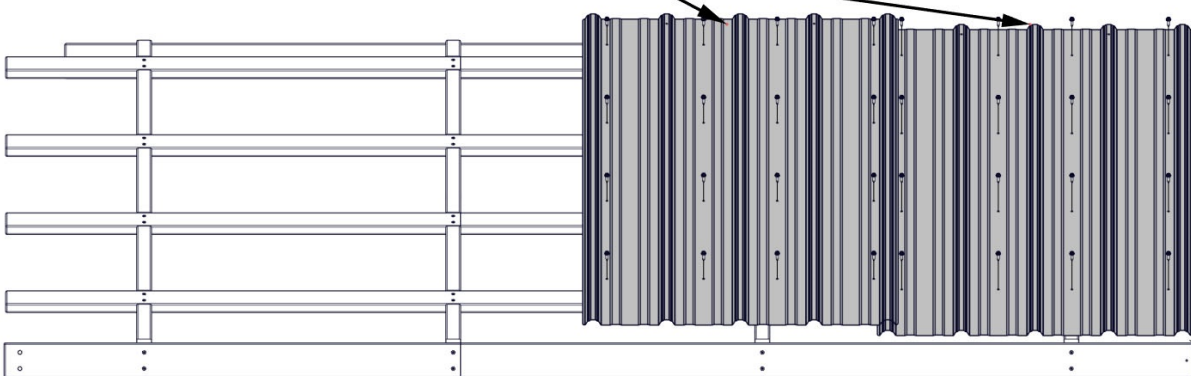


A4M01124 29 GA STEEL SHEETING
(x2)



MAKE SURE YOUR ROOF PANEL IS SQUARE BEFORE MOVING ON.

1124 (x2)
29 GA STEEL SHEETING

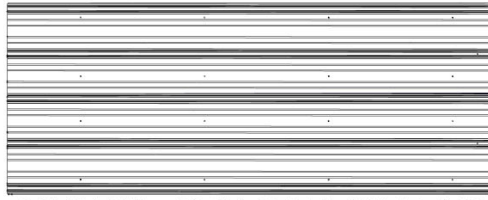


HOLD SHEETING INSIDE OF FRAME MEASURING FROM RIB AS SHOWN.

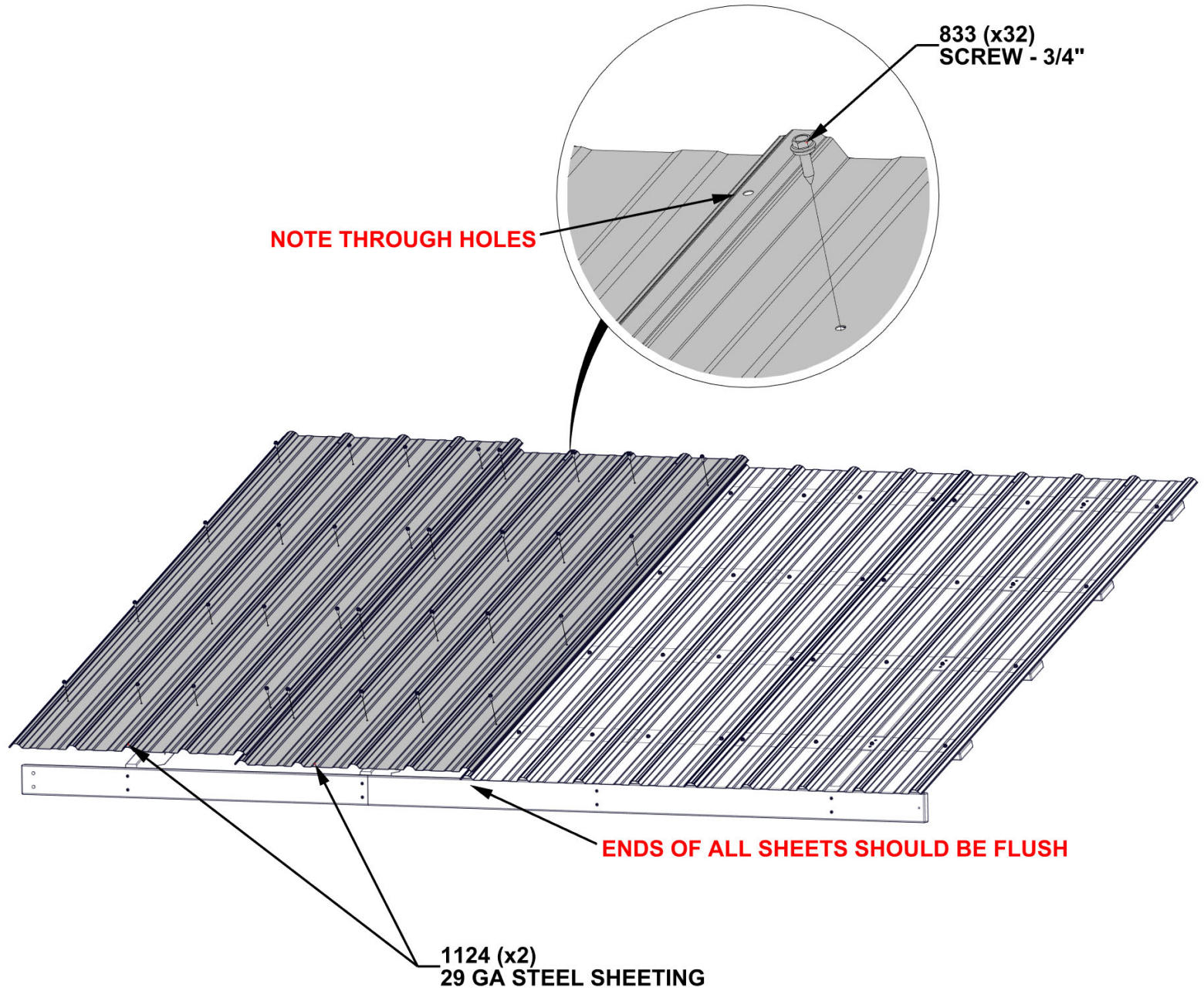
3/8" [8mm]

STEP 45 - ROOF PANEL D ASSEMBLY

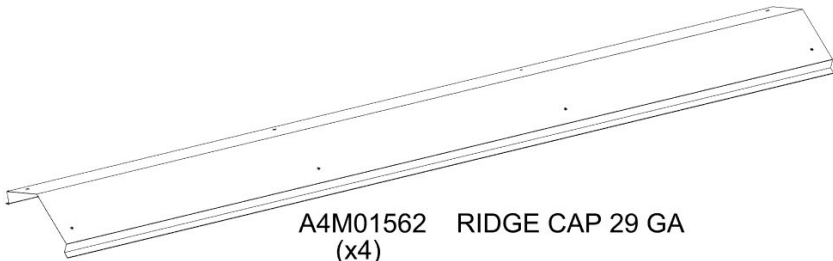
QTY	PART NUMBER	DESCRIPTION
32	H100833	SCREW WOODGRIP 10-16x3/4



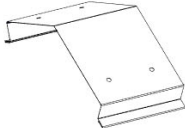
A4M01124 29 GA STEEL SHEETING
(x2)



STEP 46 - RIDGE CAP ASSEMBLY

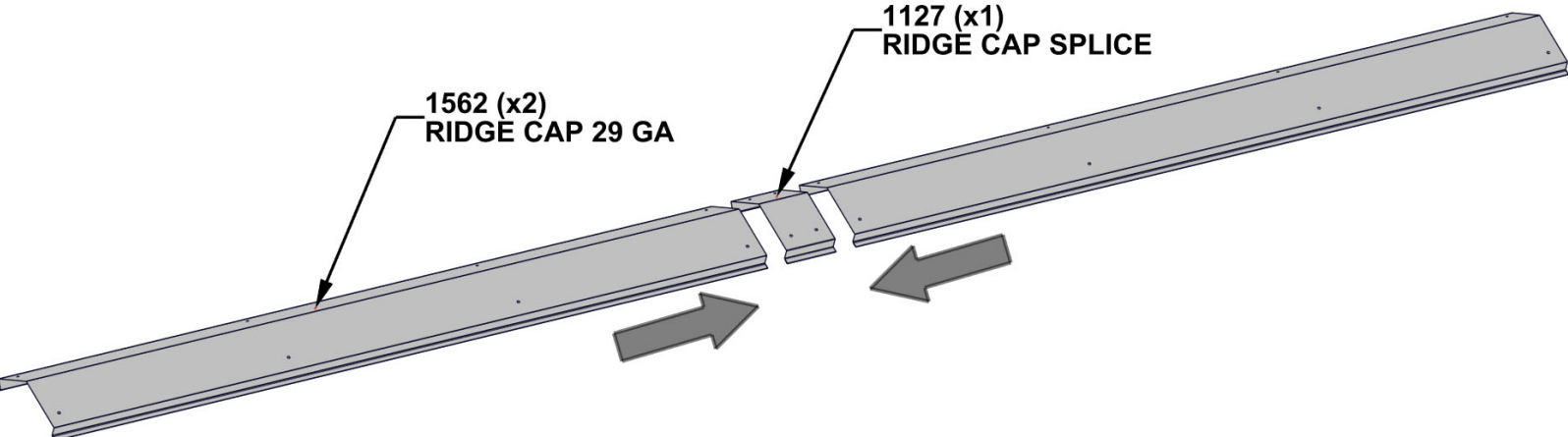


A4M01562 RIDGE CAP 29 GA
(x4)



A4M01127 RIDGE CAP SPLICE
(x2)

COMPLETE THIS STEP TWICE.



SLIDE EACH RIDGE CAP INTO THE RIDGE CAP SPLICE UNTIL CENTERED.

STEP 47 - RIDGE CAP A ASSEMBLY

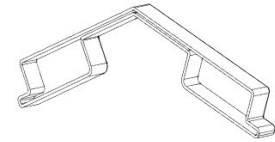
QTY	PART NUMBER	DESCRIPTION
16	H100833	SCREW WOODGRIP 10-16x3/4"



J01 STIFFENER BOARD - W4L16401
(x2) 1"x2 3/8"x68 5/8" (24x60x1744)



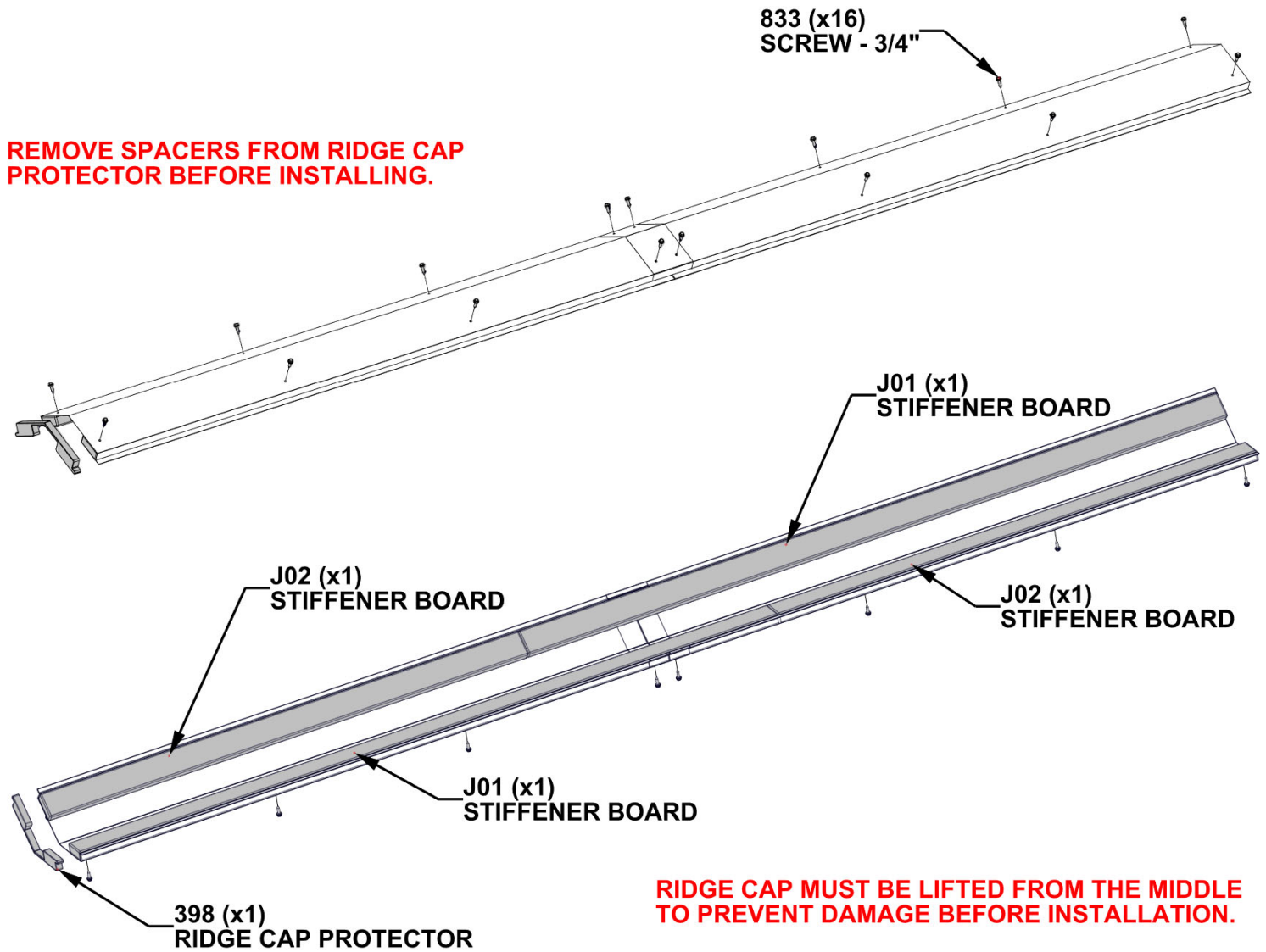
J02 STIFFENER BOARD - W4L16402
(x2) 1"x2 3/8"x47" (24x60x1194)



A6P00398 RIDGE CAP PROTECTOR
(x1)

ASSEMBLE BY ALIGNING THE HOLES ON EACH RIDGE CAP TO THE HOLES IN THE RIDGE CAP SPLICE.

FINAL LENGTH - 9'-7 3/4" [2940mm]

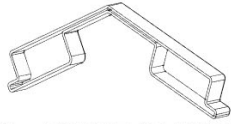


STEP 48 - RIDGE CAP B ASSEMBLY

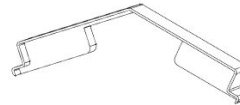
QTY	PART NUMBER	DESCRIPTION
16	H100833	SCREW WOODGRIP 10-16x3/4"

J01 STIFFENER BOARD - W4L16401
(x2) 1"x2 3/8"x68 5/8" (24x60x1744)

J02 STIFFENER BOARD - W4L16402
(x2) 1"x2 3/8"x47" (24x60x1194)



A6P00398 RIDGE CAP PROTECTOR
(x1)



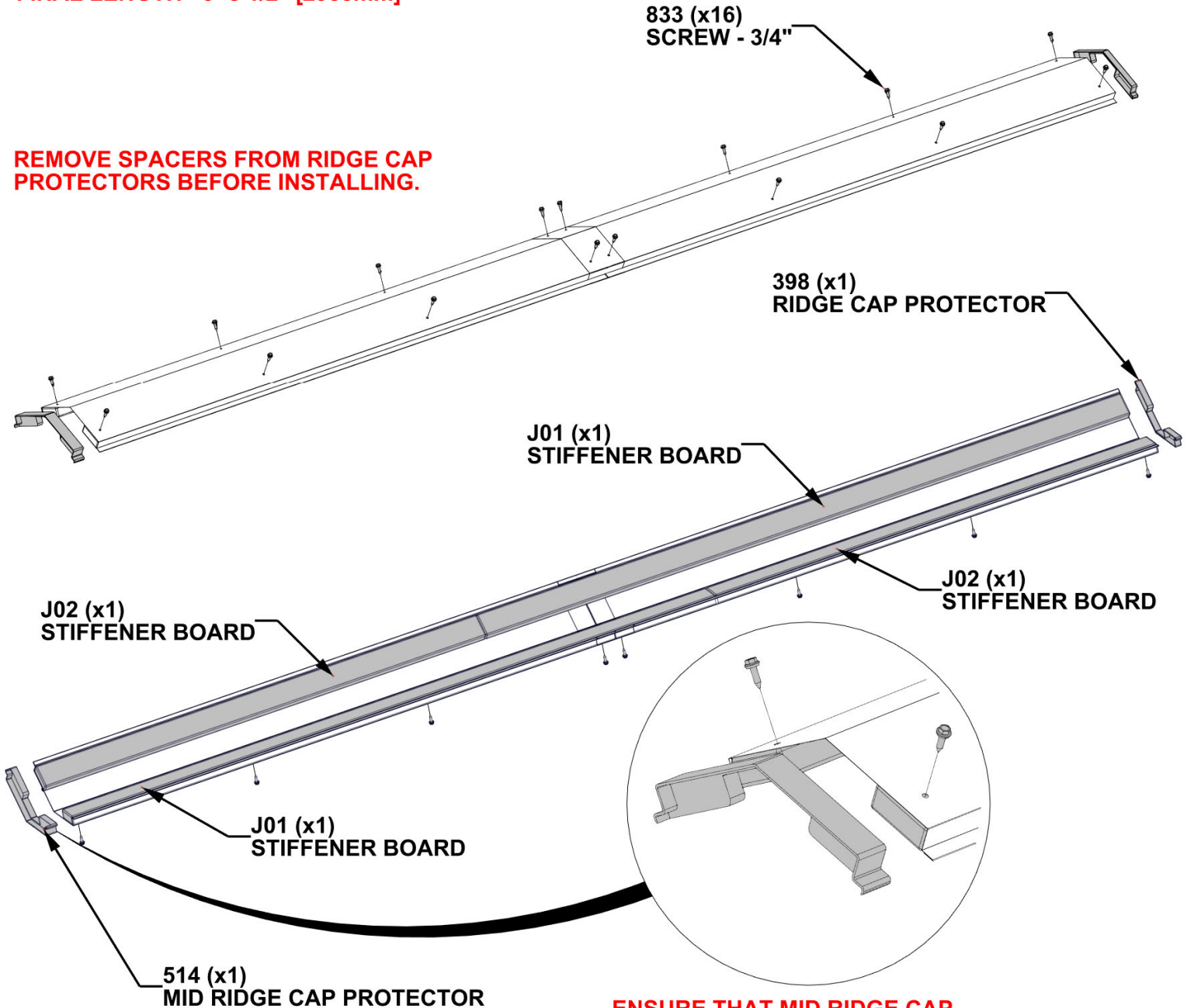
A6P00514 MID RIDGE CAP PROTECTOR
(x1)

ASSEMBLE BY ALIGNING THE HOLES ON EACH RIDGE CAP TO THE HOLES IN THE RIDGE CAP SPLICE.

FINAL LENGTH - 9'-8 1/2" [2955mm]

833 (x16)
SCREW - 3/4"

REMOVE SPACERS FROM RIDGE CAP PROTECTORS BEFORE INSTALLING.



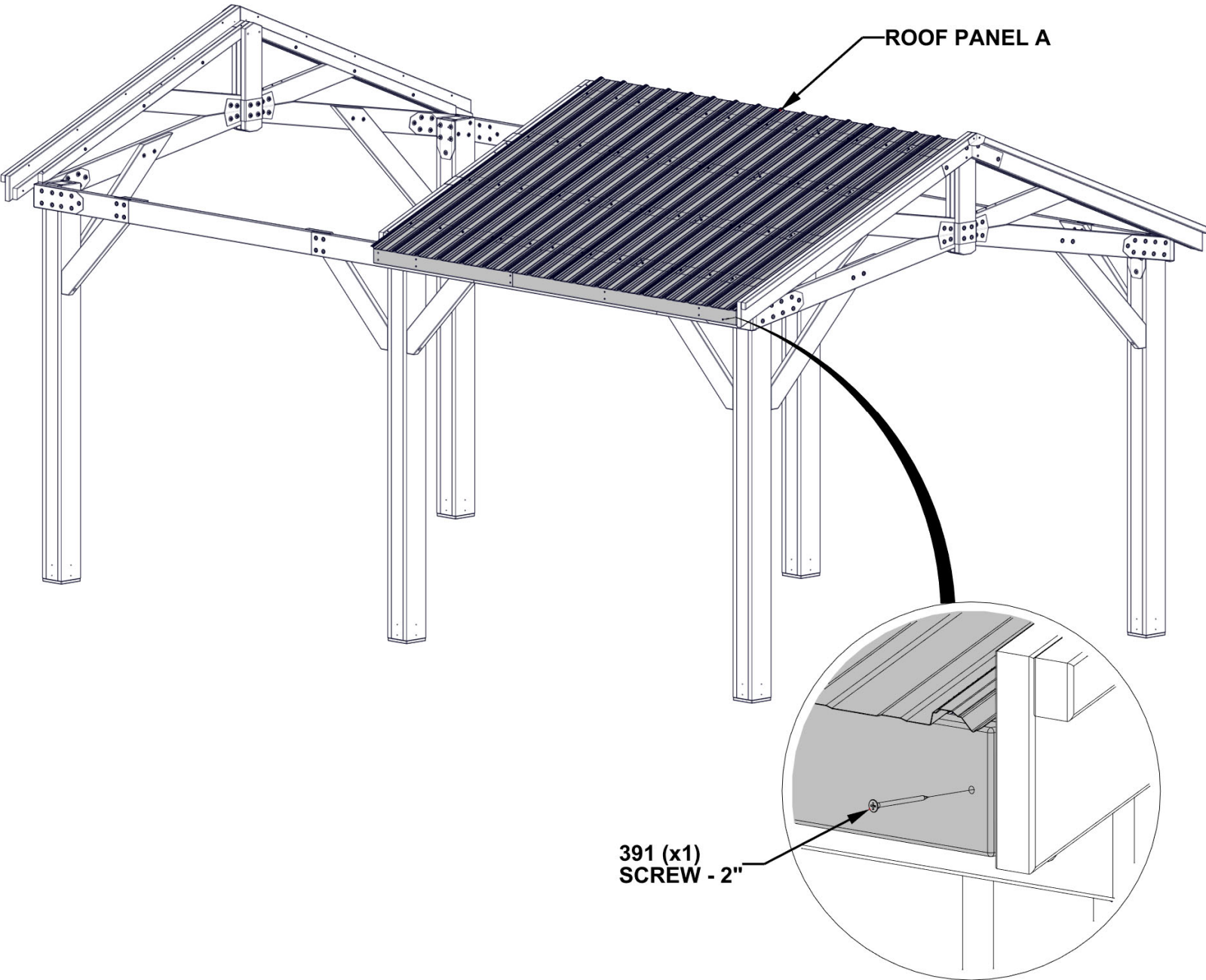
ENSURE THAT MID RIDGE CAP PROTECTOR IS ORIENTED CORRECTLY.

RIDGE CAP MUST BE LIFTED FROM THE MIDDLE TO PREVENT DAMAGE BEFORE INSTALLATION.

STEP 49 - ROOF PANEL A ATTACHMENT

QTY	PART NUMBER	DESCRIPTION
1	H100391	SCREW PFH 8x2 BLK

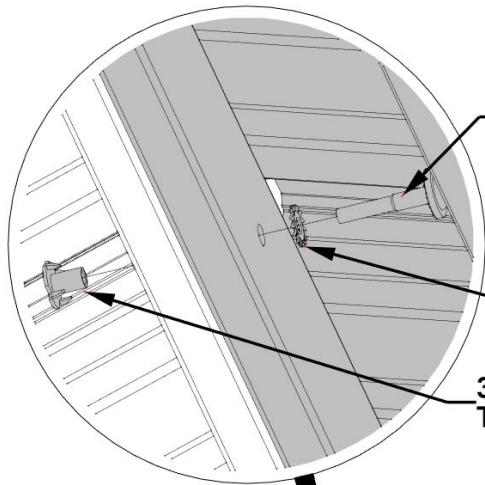
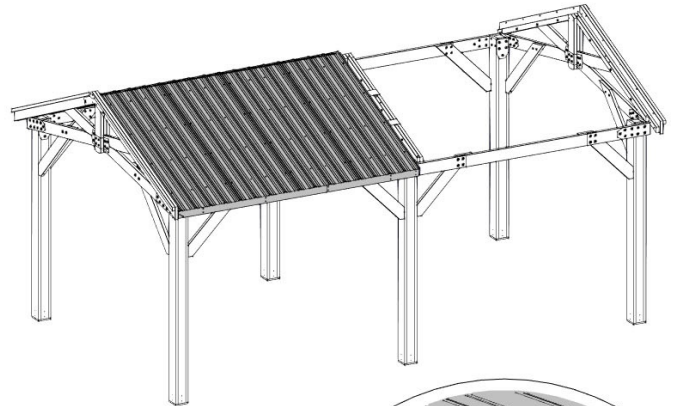
WITH AT LEAST TWO PEOPLE, LIFT ASSEMBLED ROOF PANEL AND SLIDE IT INTO THE TRACKS ON THE RAFTERS. ONCE IN PLACE, SCREW INTO PLACE AS SHOWN.



STEP 50 - ROOF ATTACHMENT

QTY	PART NUMBER	DESCRIPTION
3	H100198	WASHER LOCK EXT 8x19
3	H100378	BOLT WH 5/16x1 3/4 BLK
3	H100379	T-NUT 5/16 BLK
1	H100391	SCREW PFH 8x2 BLK

WITH AT LEAST TWO PEOPLE, LIFT ASSEMBLED ROOF PANEL AND SLIDE IT INTO THE TRACKS ON THE RAFTERS AND UP UNDER THE RIDGE CAP. ONCE IN PLACE, INSTALL ATTACHMENT HARDWARE AS SHOWN.

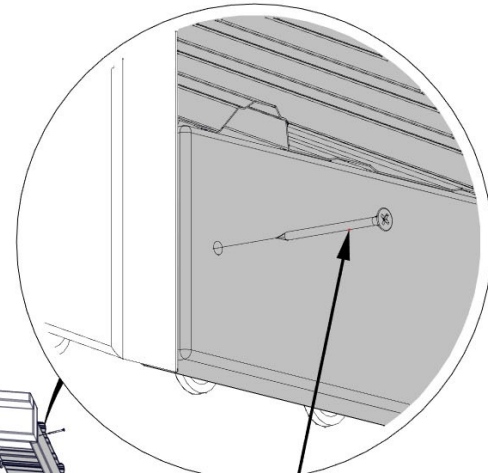


**378 (x3)
BOLT - 1 3/4"**

**198 (x3)
WASHER - 8x19**

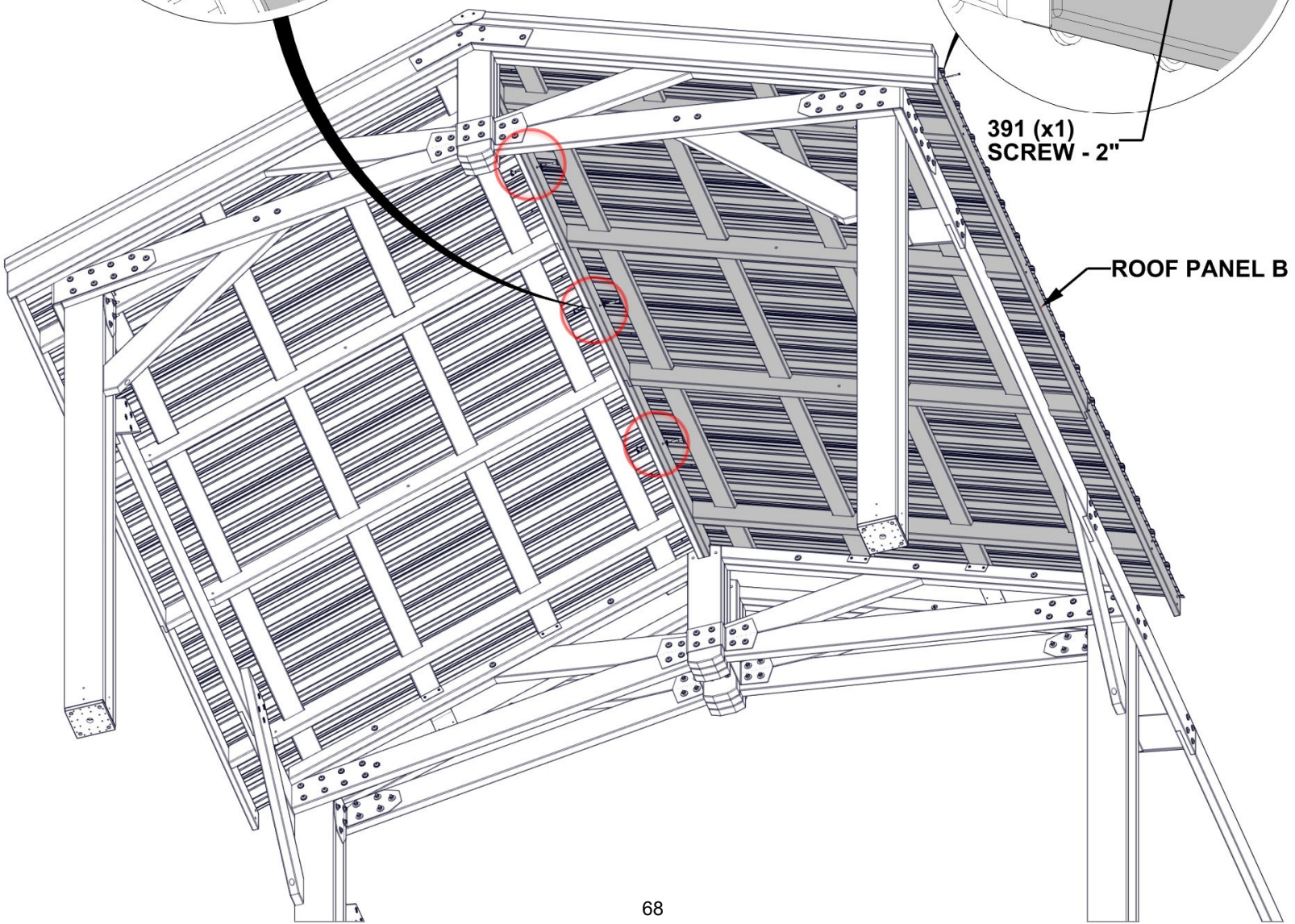
**379 (x3)
T-NUT - 5/16"**

ATTACH BOLTS, WASHERS, AND T-NUTS BEFORE THE SCREW.



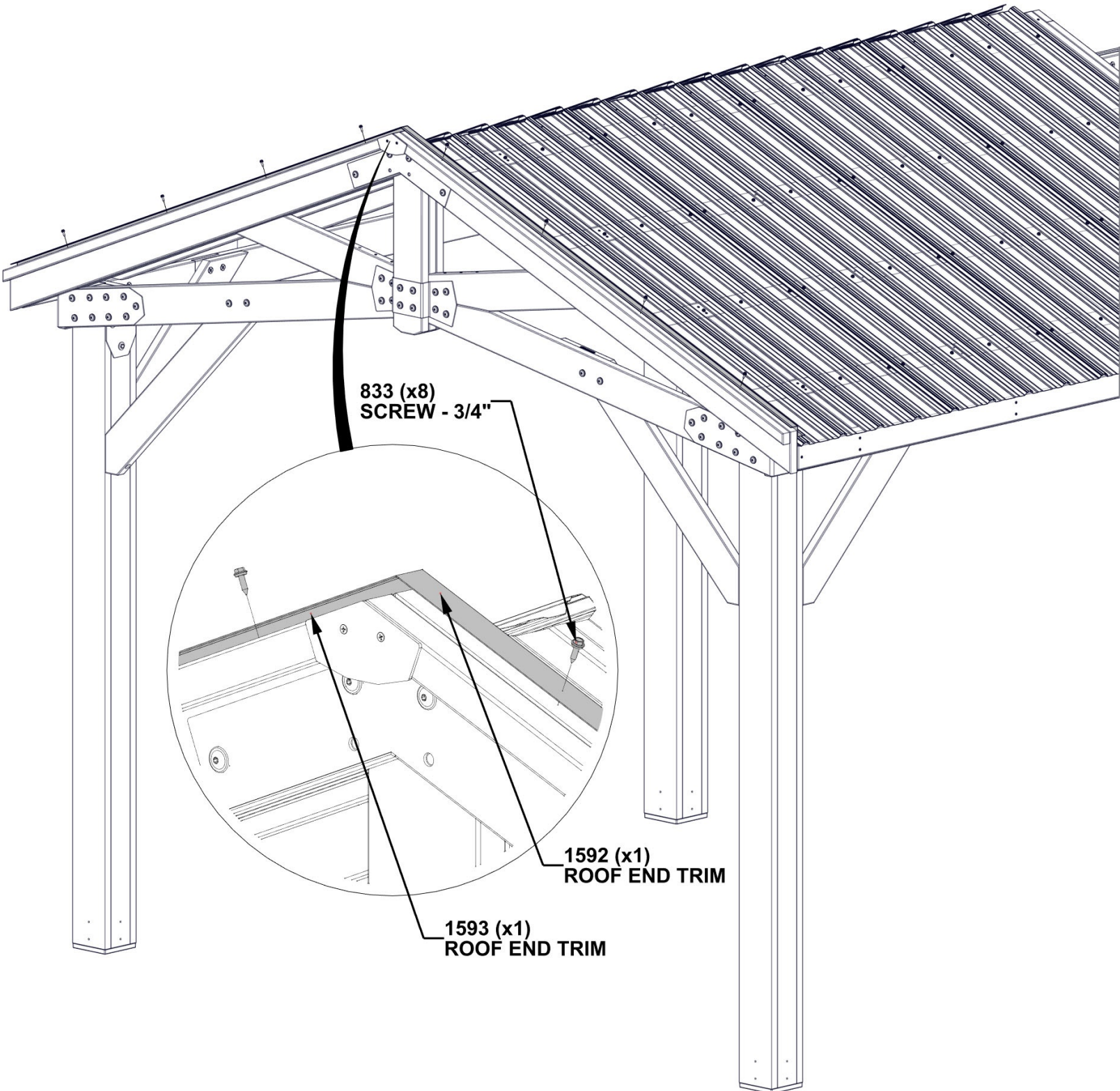
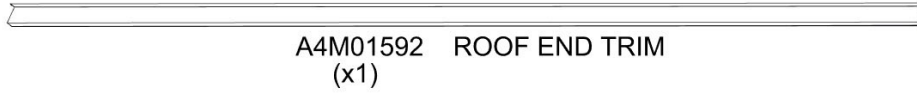
**391 (x1)
SCREW - 2"**

ROOF PANEL B



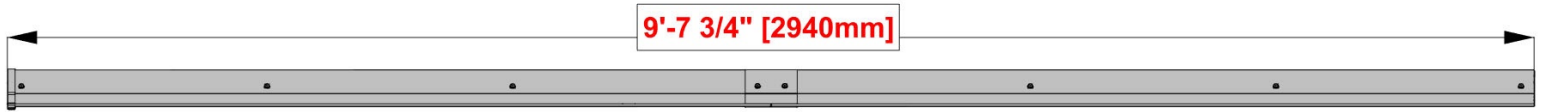
STEP 51 - ROOF ATTACHMENT

QTY	PART NUMBER	DESCRIPTION
8	H100833	SCREW WOODGRIP 10-16x3/4"



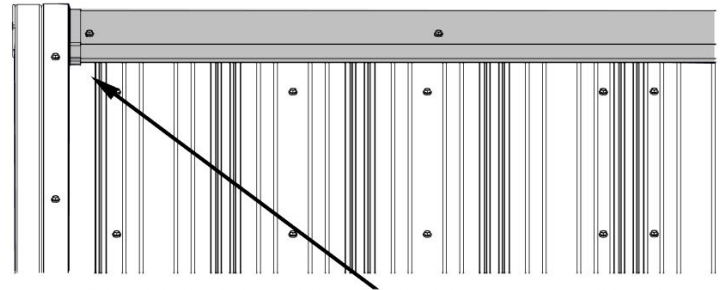
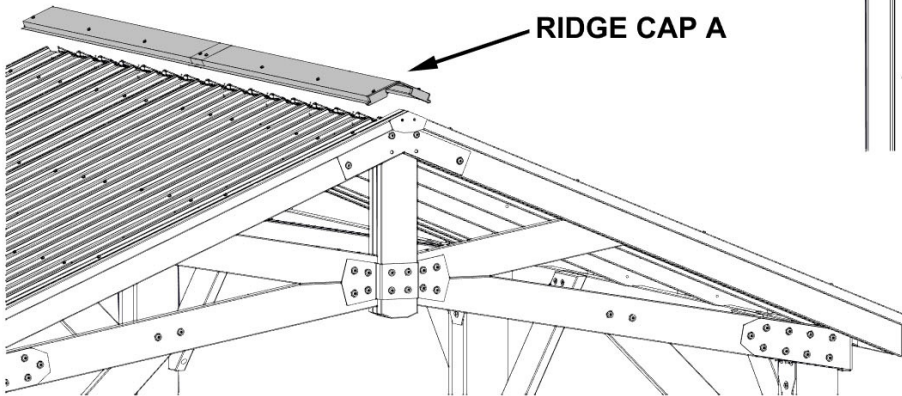
STEP 52 - ROOF ATTACHMENT

QTY	PART NUMBER	DESCRIPTION
16	H100392	SCREW PWH 8x3/4 BLK



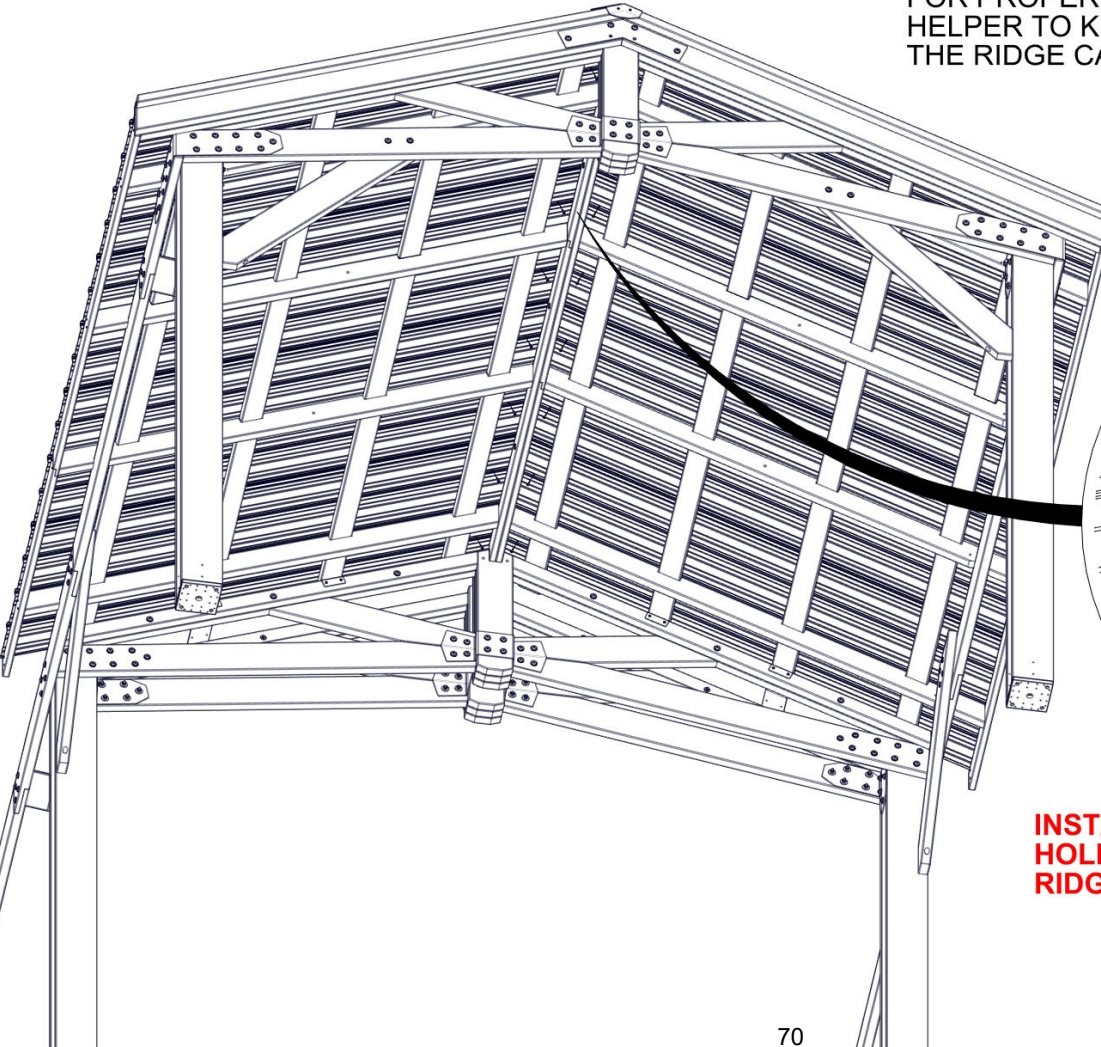
RIDGE CAP A - FROM STEPS 46-47

**DO NOT CLIMB ON ROOF TO INSTALL:
ROOF CAP HAS BEEN DESIGNED TO
INSTALL WITH THE USE OF A LADDER.**

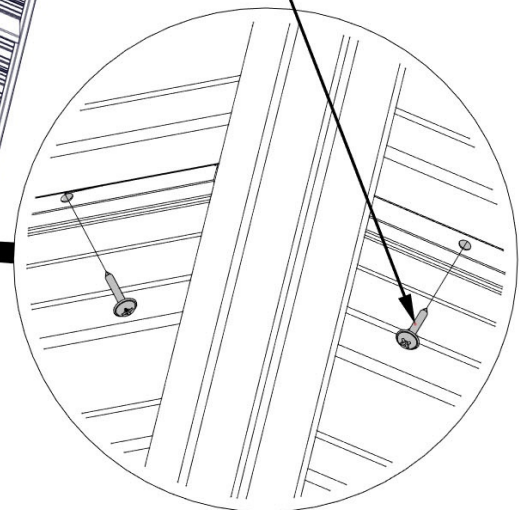


**USING AN ADULT HELPER, SLIDE RIDGE
CAP ASSEMBLY ACROSS THE ROOF RIDGE
UNTIL END IS AGAINST ROOF END TRIM.**

**FOR PROPER INSTALLATION, USE AN ADULT
HELPER TO KEEP DOWNWARD PRESSURE ON
THE RIDGE CAP WHILE SCREWING IN SCREWS.**



**392 (x16)
SCREW - 3/4"**

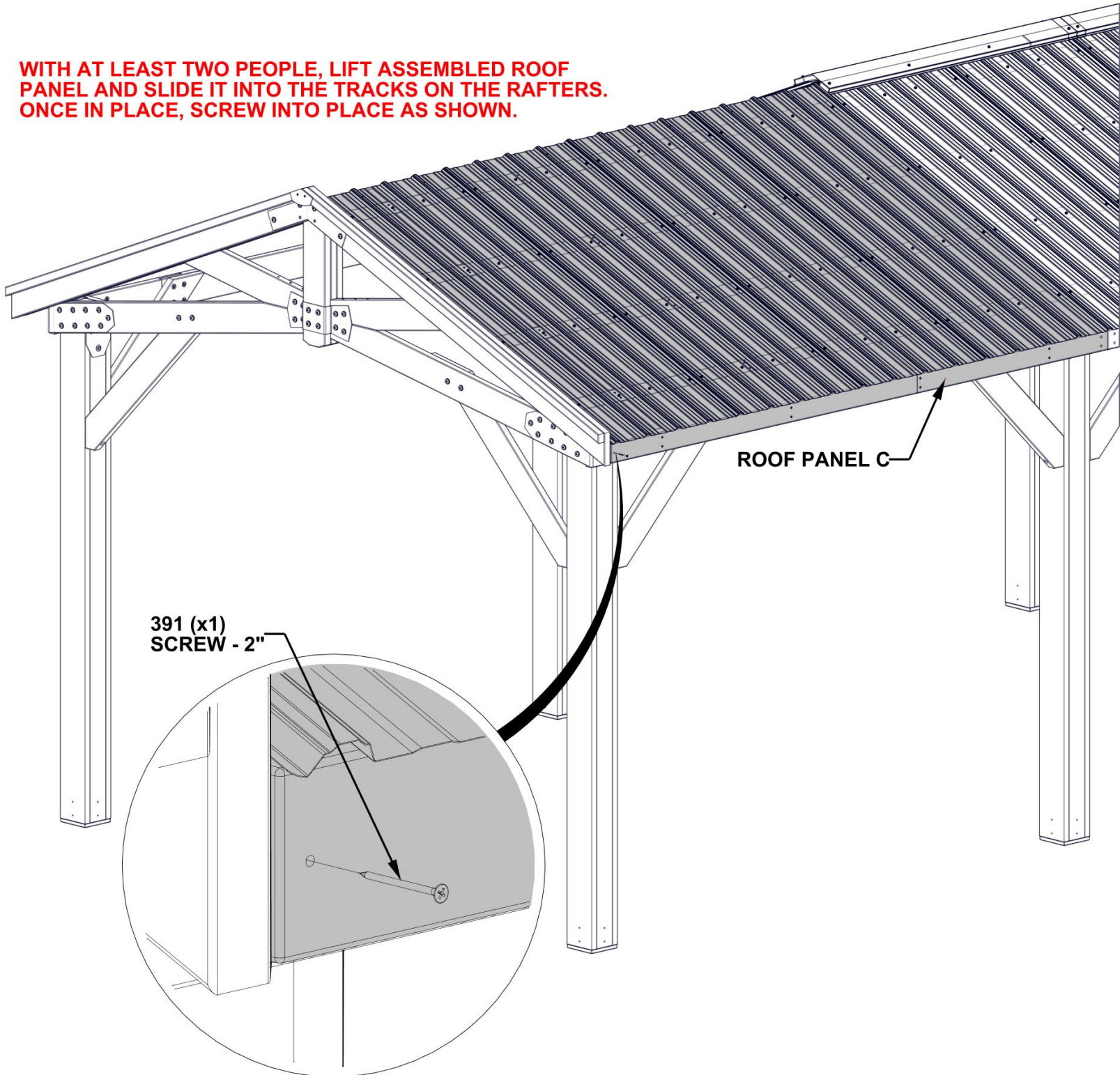


**INSTALL SCREWS THROUGH PILOT
HOLES IN ROOF PANELS INTO
RIDGE CAP STIFFENER BOARDS.**

STEP 53 - ROOF ATTACHMENT

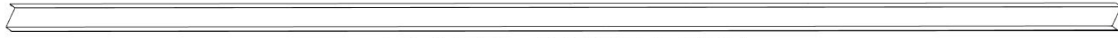
QTY	PART NUMBER	DESCRIPTION
1	H100391	SCREW PFH 8x2 BLK

WITH AT LEAST TWO PEOPLE, LIFT ASSEMBLED ROOF PANEL AND SLIDE IT INTO THE TRACKS ON THE RAFTERS. ONCE IN PLACE, SCREW INTO PLACE AS SHOWN.

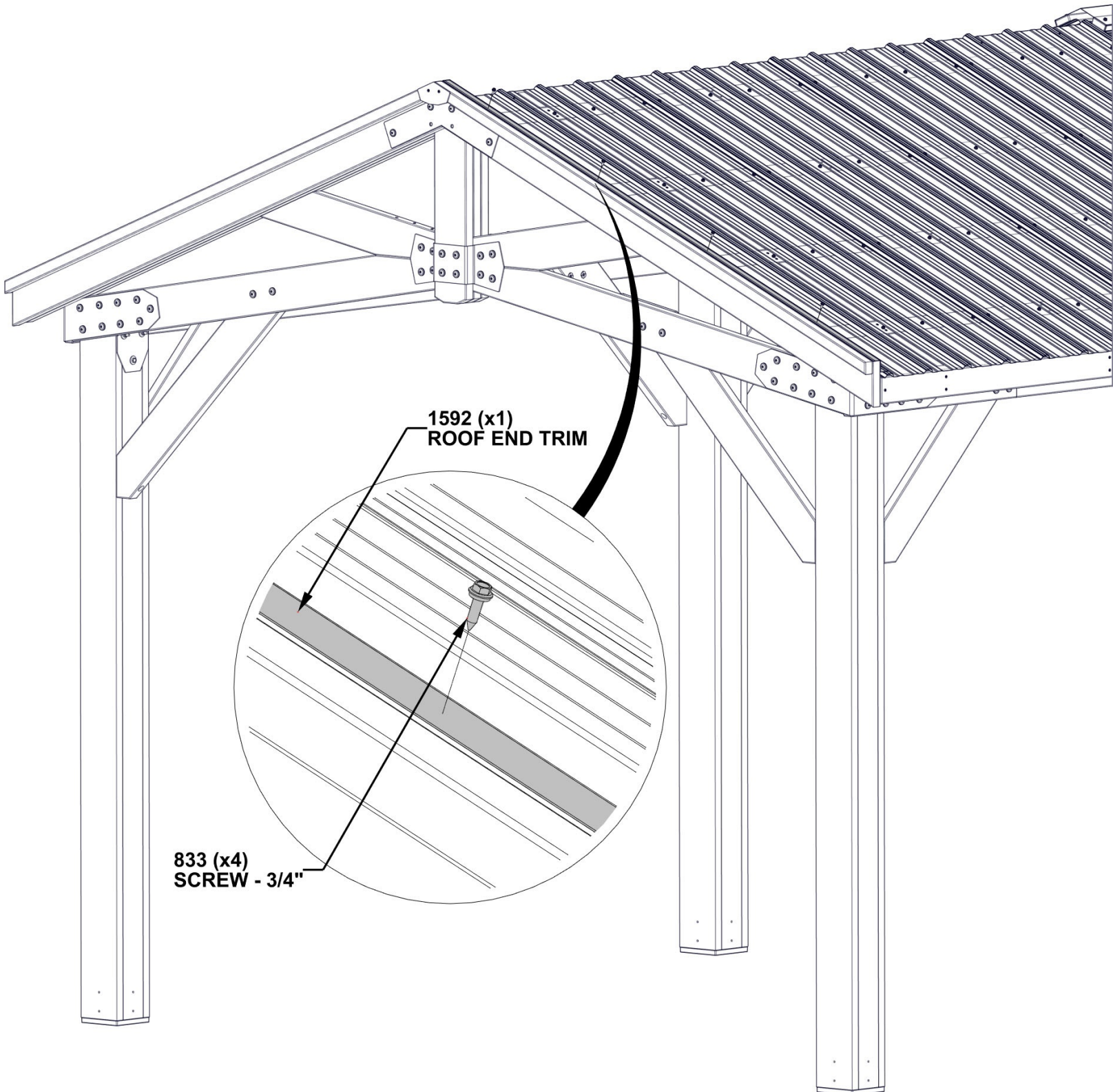


STEP 54 - ROOF ATTACHMENT

QTY	PART NUMBER	DESCRIPTION
4	H100833	SCREW WOODGRIP 10-16x3/4"

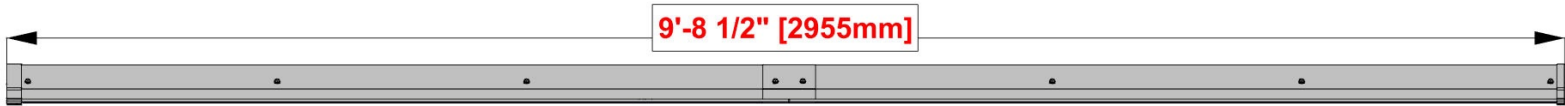


A4M01592 ROOF END TRIM
(x1)



STEP 55 - ROOF ATTACHMENT

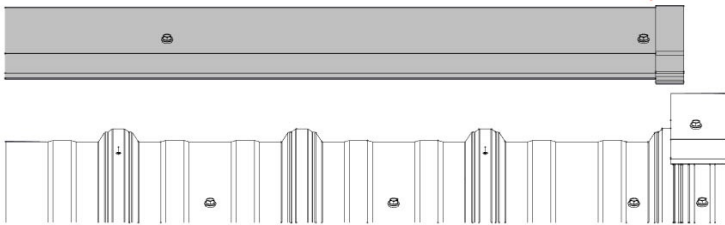
QTY	PART NUMBER	DESCRIPTION
8	H100392	SCREW PWH 8x3/4 BLK



RIDGE CAP B - FROM STEPS 46 & 48

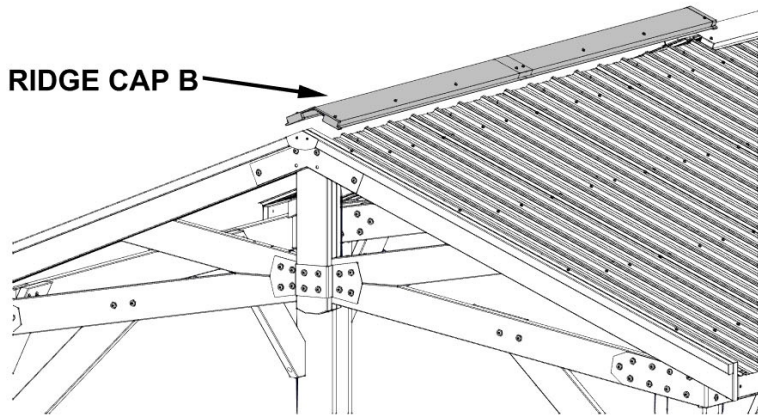
DO NOT CLIMB ON ROOF TO INSTALL: ROOF CAP HAS BEEN DESIGNED TO INSTALL WITH THE USE OF A LADDER.

MID RIDGE CAP



SLIDE RIDGE CAP ASSEMBLY INTO PLACE. ENSURE THAT MID RIDGE CAP PROTECTOR OVERLAPS RIDGE CAP THAT IS ALREADY INSTALLED.

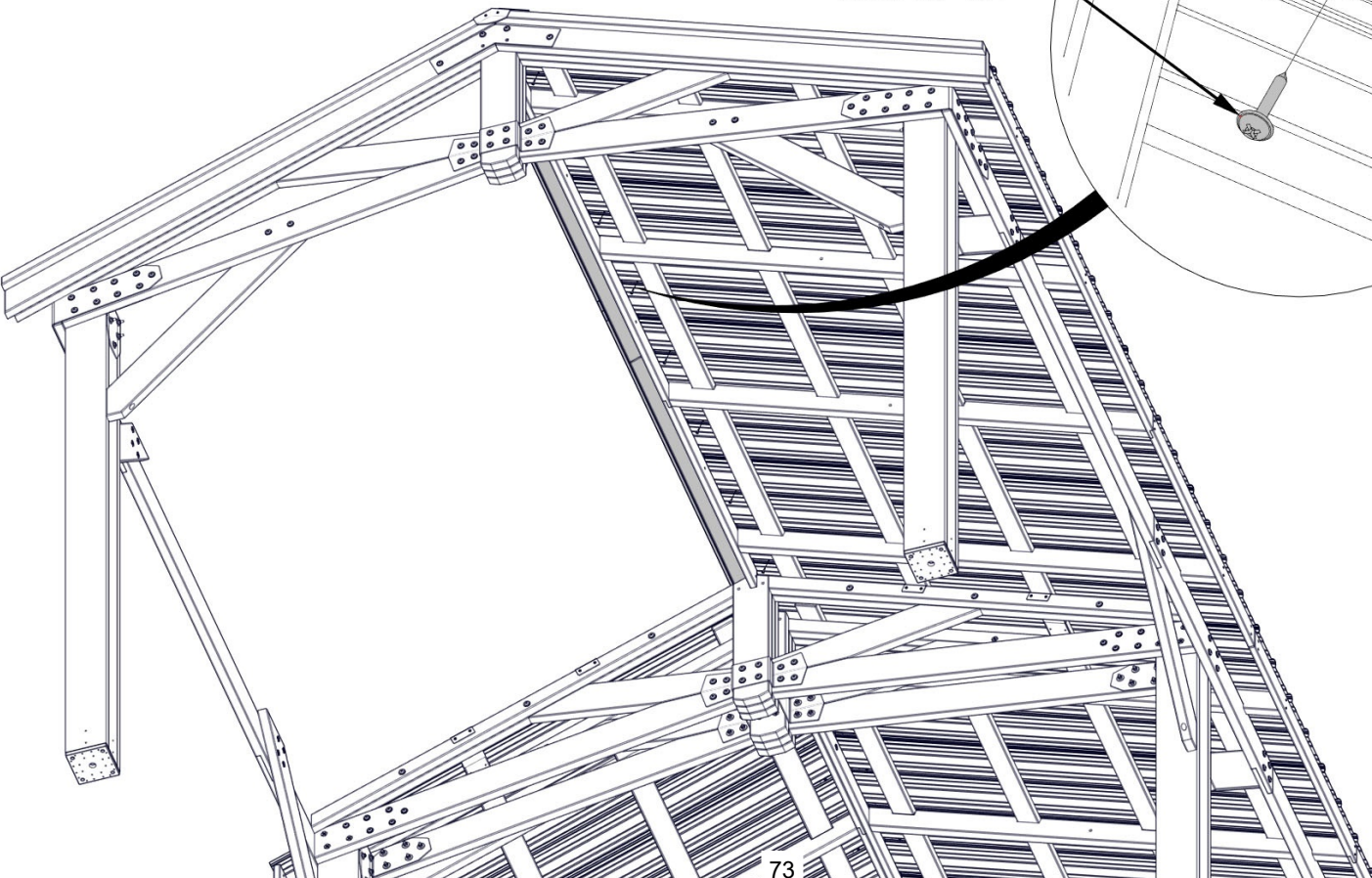
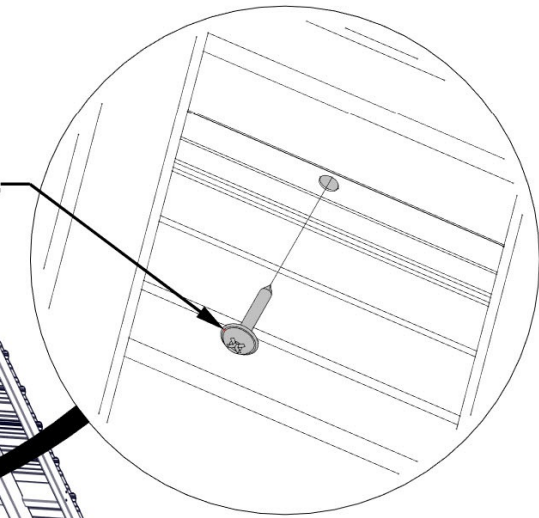
RIDGE CAP B



INSTALL SCREWS THROUGH PILOT HOLES IN ROOF PANELS INTO RIDGE CAP STIFFENER BOARDS.

FOR PROPER INSTALLATION, USE AN ADULT HELPER TO KEEP DOWNWARD PRESSURE ON THE RIDGE CAP WHILE SCREWING IN SCREWS.

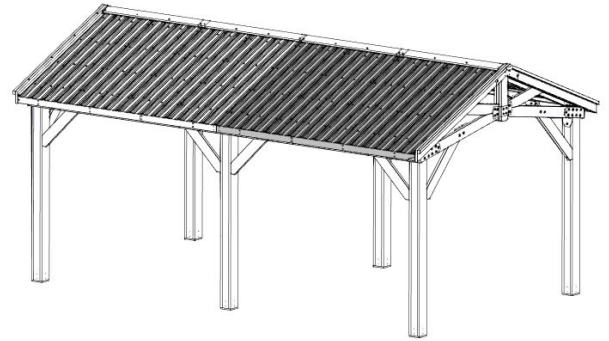
392 (x8) SCREW - 3/4"



STEP 56 - ROOF ATTACHMENT

QTY	PART NUMBER	DESCRIPTION
3	H100198	WASHER LOCK EXT 8x19
3	H100378	BOLT WH 5/16x1 3/4 BLK
3	H100379	T-NUT 5/16 BLK
1	H100391	SCREW PFH 8x2 BLK

WITH AT LEAST TWO PEOPLE, LIFT ASSEMBLED ROOF PANEL AND SLIDE IT INTO THE TRACKS ON THE RAFTERS AND UP UNDER THE RIDGE CAP. ONCE IN PLACE, INSTALL ATTACHMENT HARDWARE AS SHOWN.



**391 (x1)
SCREW - 2"**

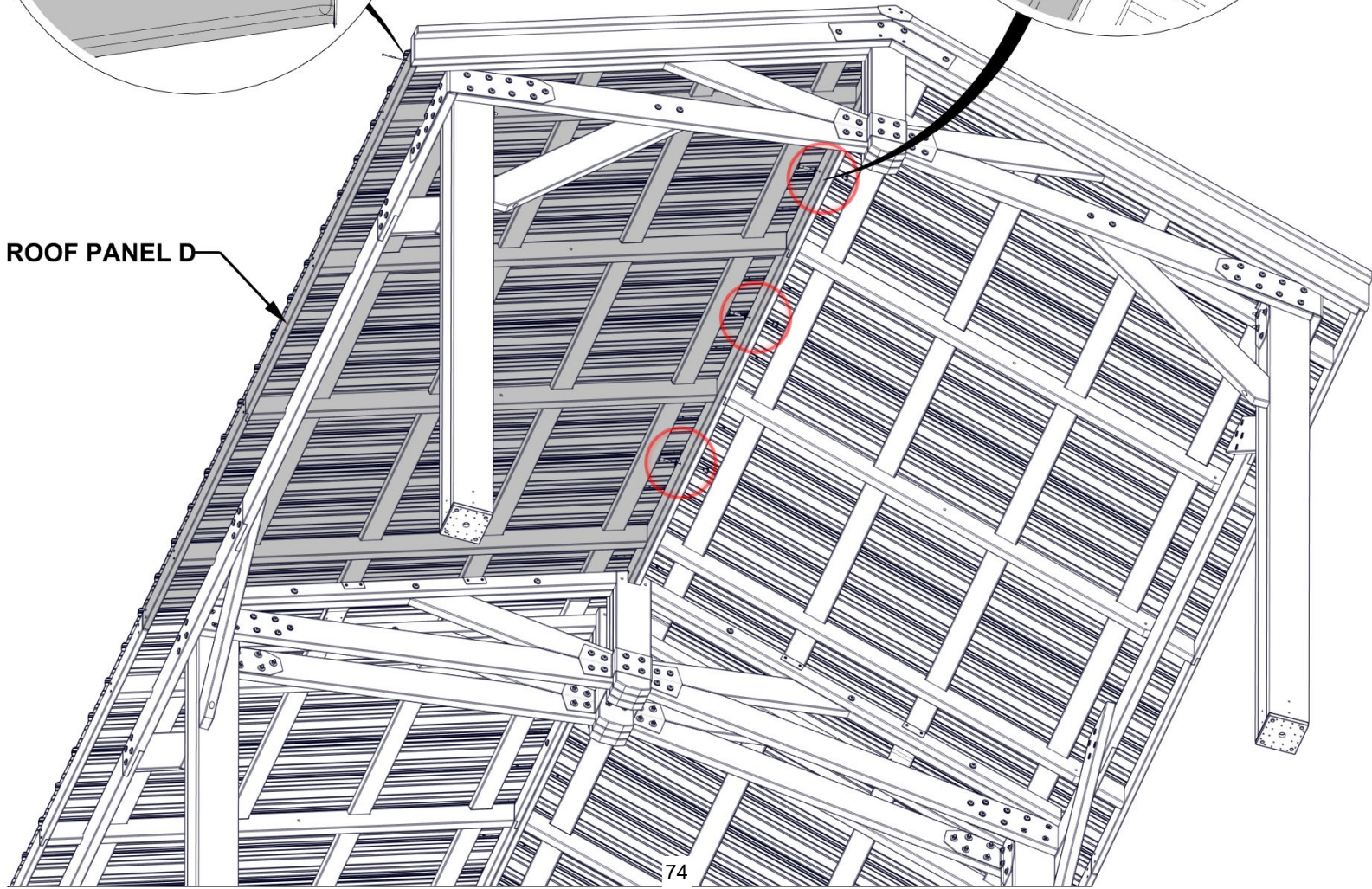
**379 (x3)
T-NUT - 5/16"**

ATTACH BOLTS, WASHERS, AND T-NUTS BEFORE THE SCREW.

**378 (x3)
BOLT - 1 3/4"**

**198 (x3)
WASHER - 8x19**

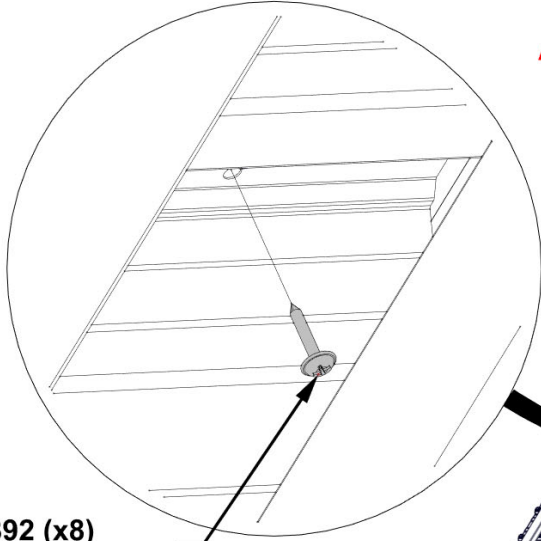
ROOF PANEL D



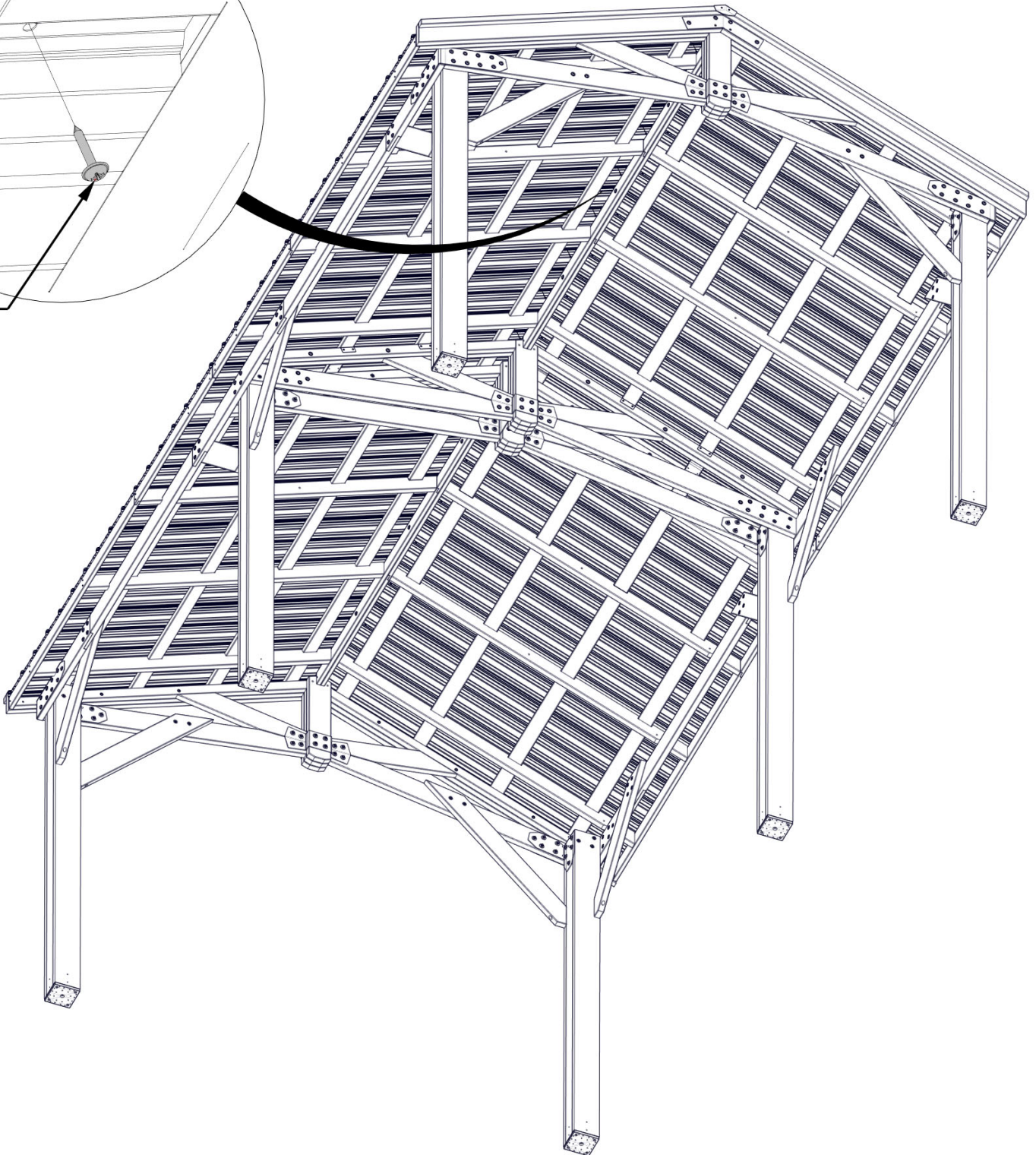
STEP 57 - ROOF ATTACHMENT

QTY	PART NUMBER	DESCRIPTION
8	H100392	SCREW PWH 8x3/4 BLK

ATTACH OTHER SIDE OF RIDGE CAP.



**392 (x8)
SCREW - 3/4"**



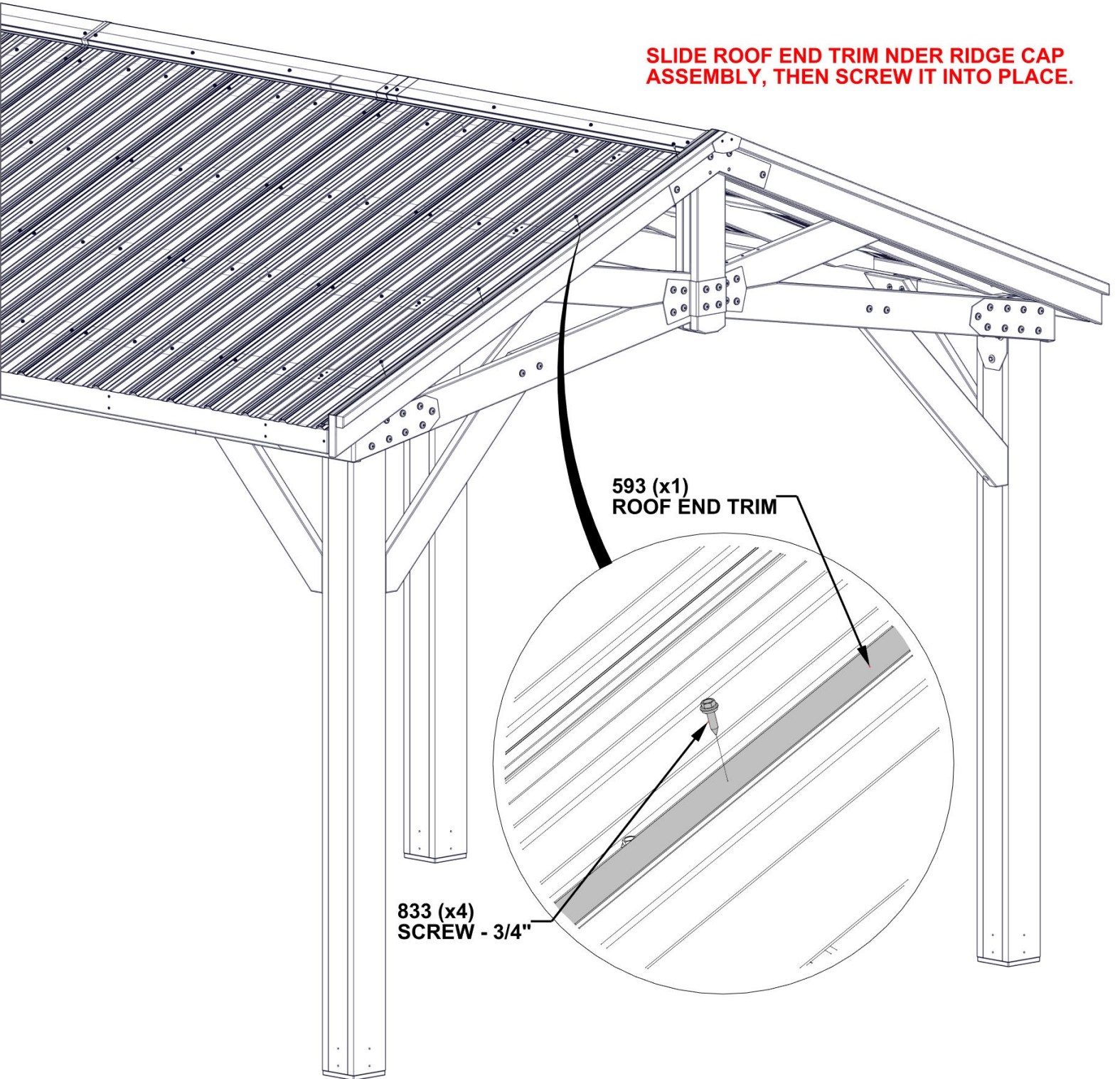
STEP 58 - ROOF ATTACHMENT

QTY	PART NUMBER	DESCRIPTION
4	H100833	SCREW WOODGRIP 10-16x3/4"



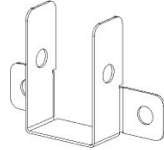
A4M01593 ROOF END TRIM
(x1)

SLIDE ROOF END TRIM UNDER RIDGE CAP ASSEMBLY, THEN SCREW IT INTO PLACE.

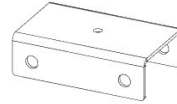


STEP 59 - ROOF ATTACHMENT

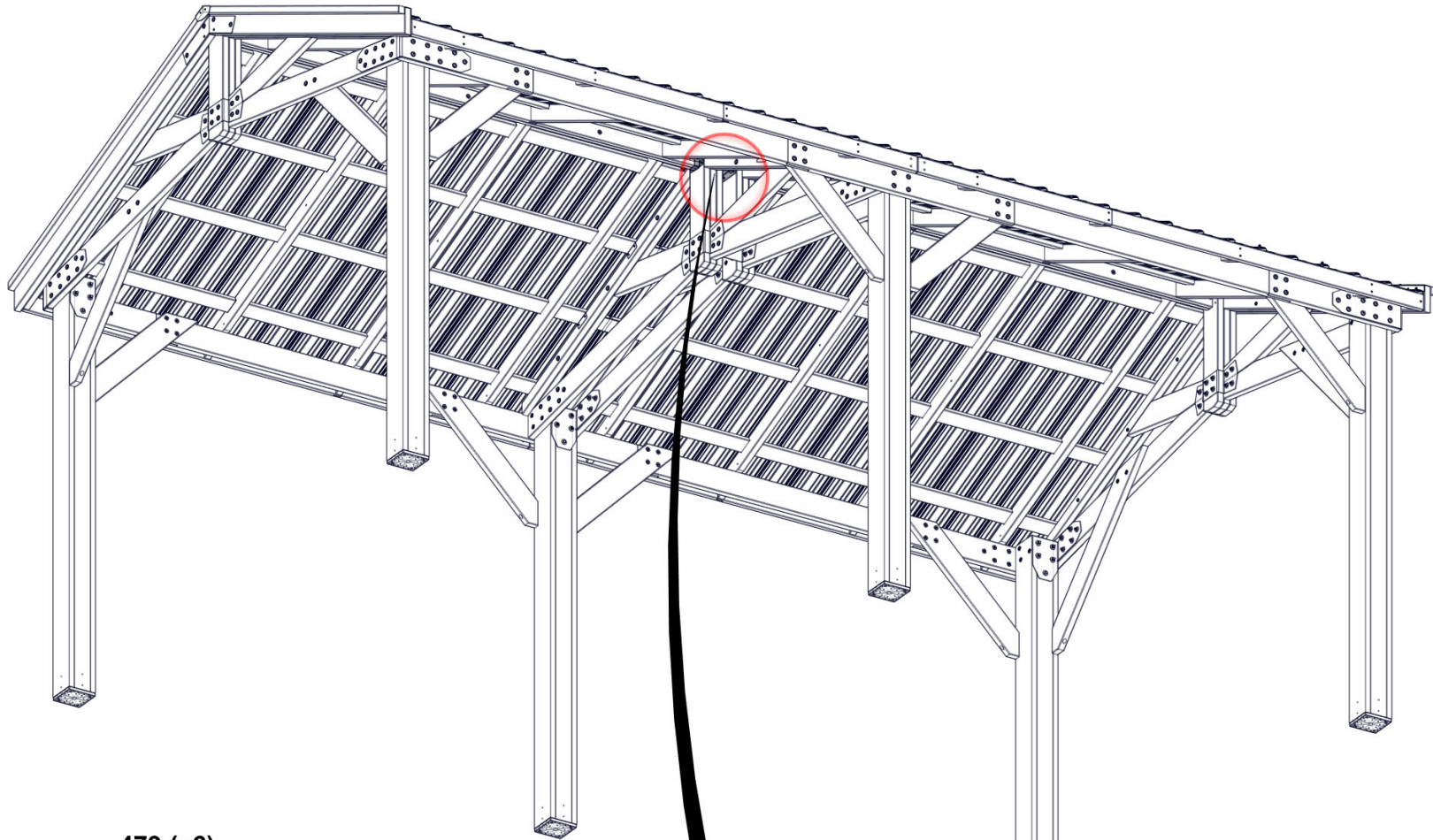
QTY	PART NUMBER	DESCRIPTION
2	H100195	BOLT WH 5/16x2 3/4 BLK
6	H100478	WASHER FLAT 8x27 BLK
6	H100479	NUT LOCK 5/16 BLK
4	H100881	BOLT WH 5/16x5 BLK



A4M01148 TRUSS BRACKET
(x2)



A4M01559 U TIE BRACKET
(x1)

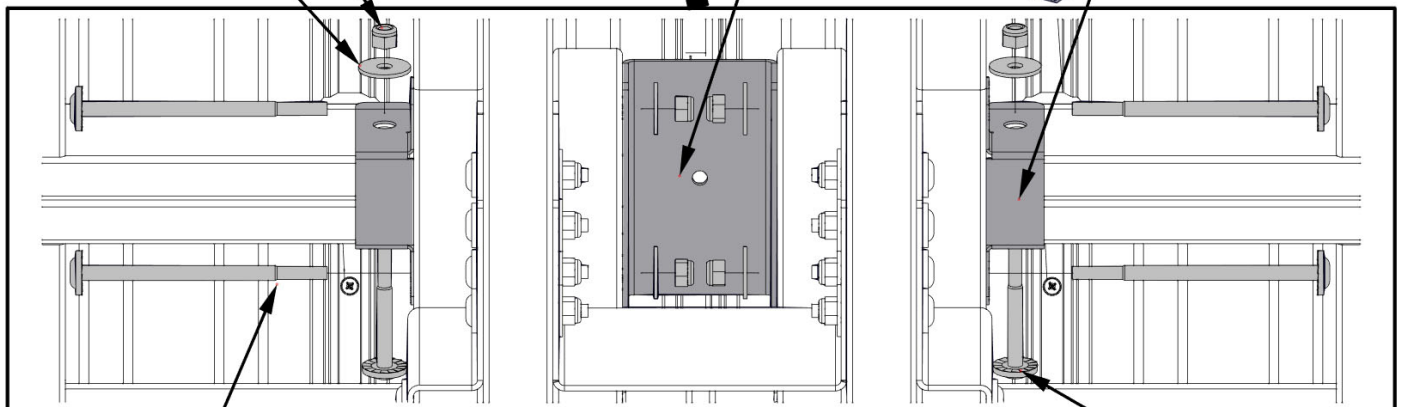


479 (x6)
LOCK NUT - 5/16"

478 (x6)
WASHER - 8x27

1559 (x1)
U TIE BRACKET

1148 (x2)
TRUSS BRACKET



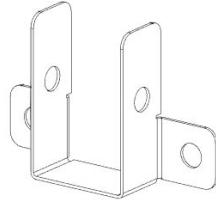
881 (x4)
BOLT - 5"

**INSERT 881 BOLTS FIRST TO HOLD BRACKETS, THEN
INSERT 195 BOLTS AND ALL WASHERS AND LOCK NUTS.**

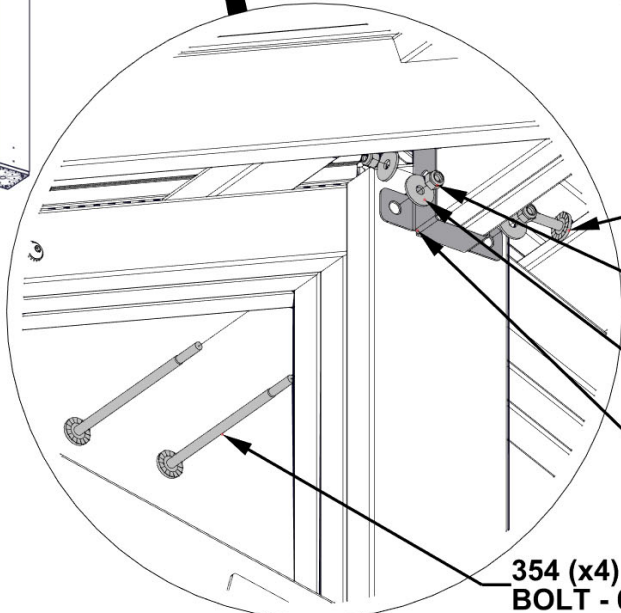
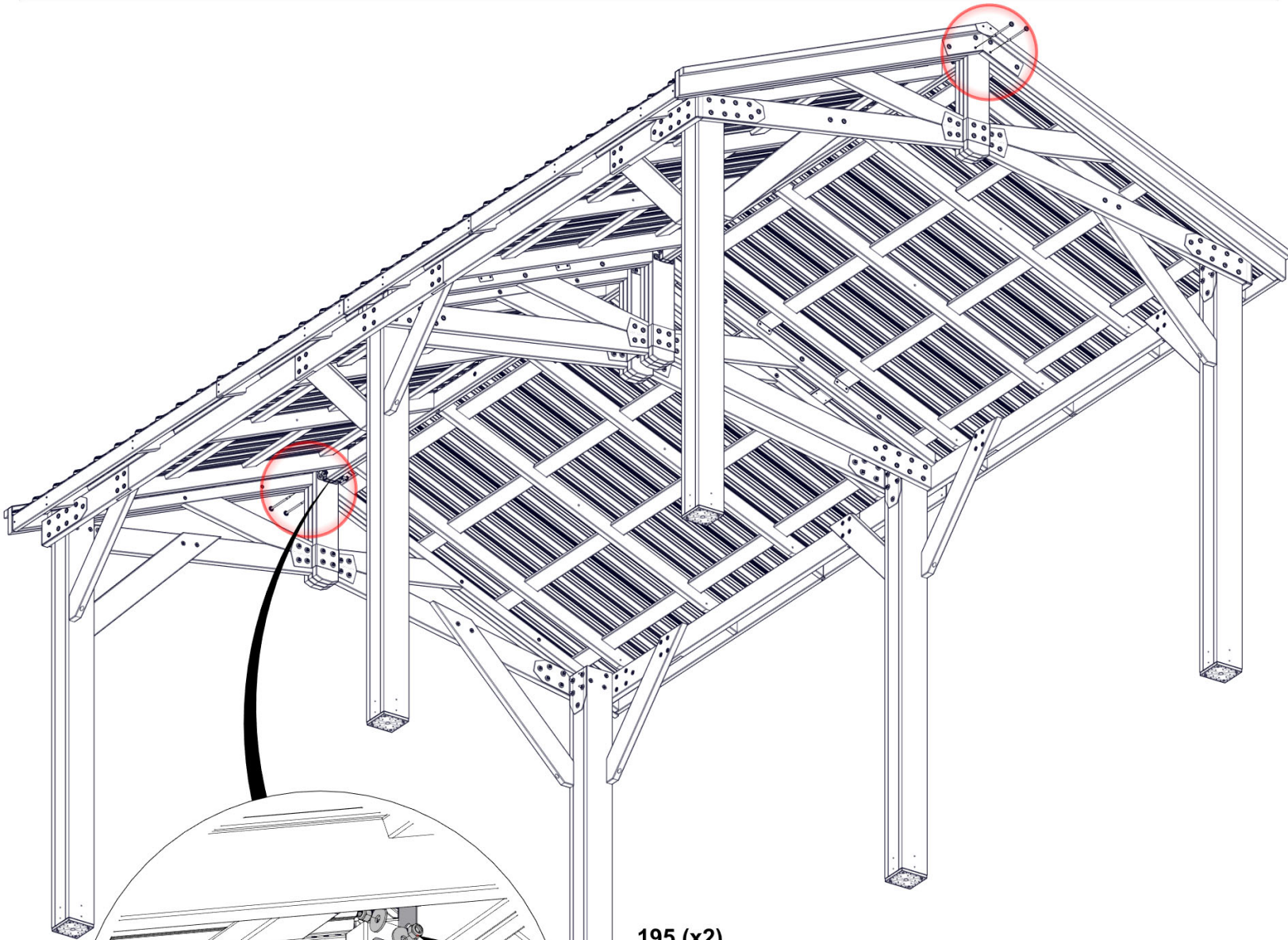
195 (x2)
BOLT - 2 3/4"

STEP 60 - ROOF ATTACHMENT

QTY	PART NUMBER	DESCRIPTION
2	H100195	BOLT WH 5/16x2 3/4 BLK
4	H100354	BOLT WH 5/16x6 1/2 BLK
6	H100478	WASHER FLAT 8x27 BLK
6	H100479	NUT LOCK 5/16 BLK



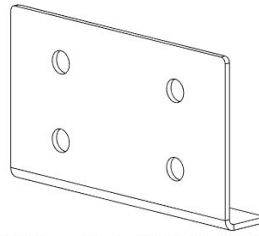
A4M01148 TRUSS BRACKET
(x2)



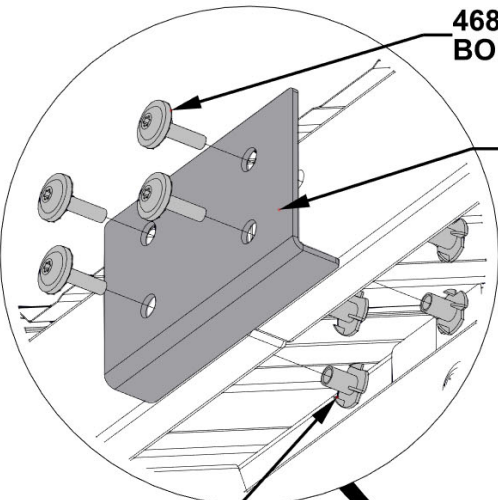
- 195 (x2)
BOLT-2 3/4"
- 479 (x6)
LOCK NUT - 5/16"
- 478 (x6)
WASHER - 8x27
- 1148 (x2)
TRUSS BRACKET
- 354 (x4)
BOLT - 6 1/2"

STEP 61 - ROOF ATTACHMENT

QTY	PART NUMBER	DESCRIPTION
8	H100379	T-NUT 5/16 BLK
16	H100392	SCREW PWH 8x3/4 BLK
8	H100468	BOLT WH 5/16x1 BLK



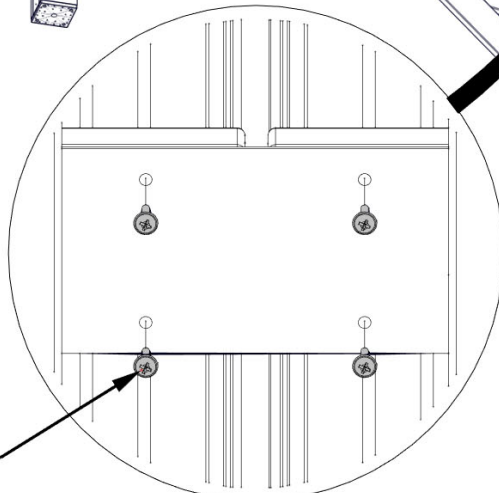
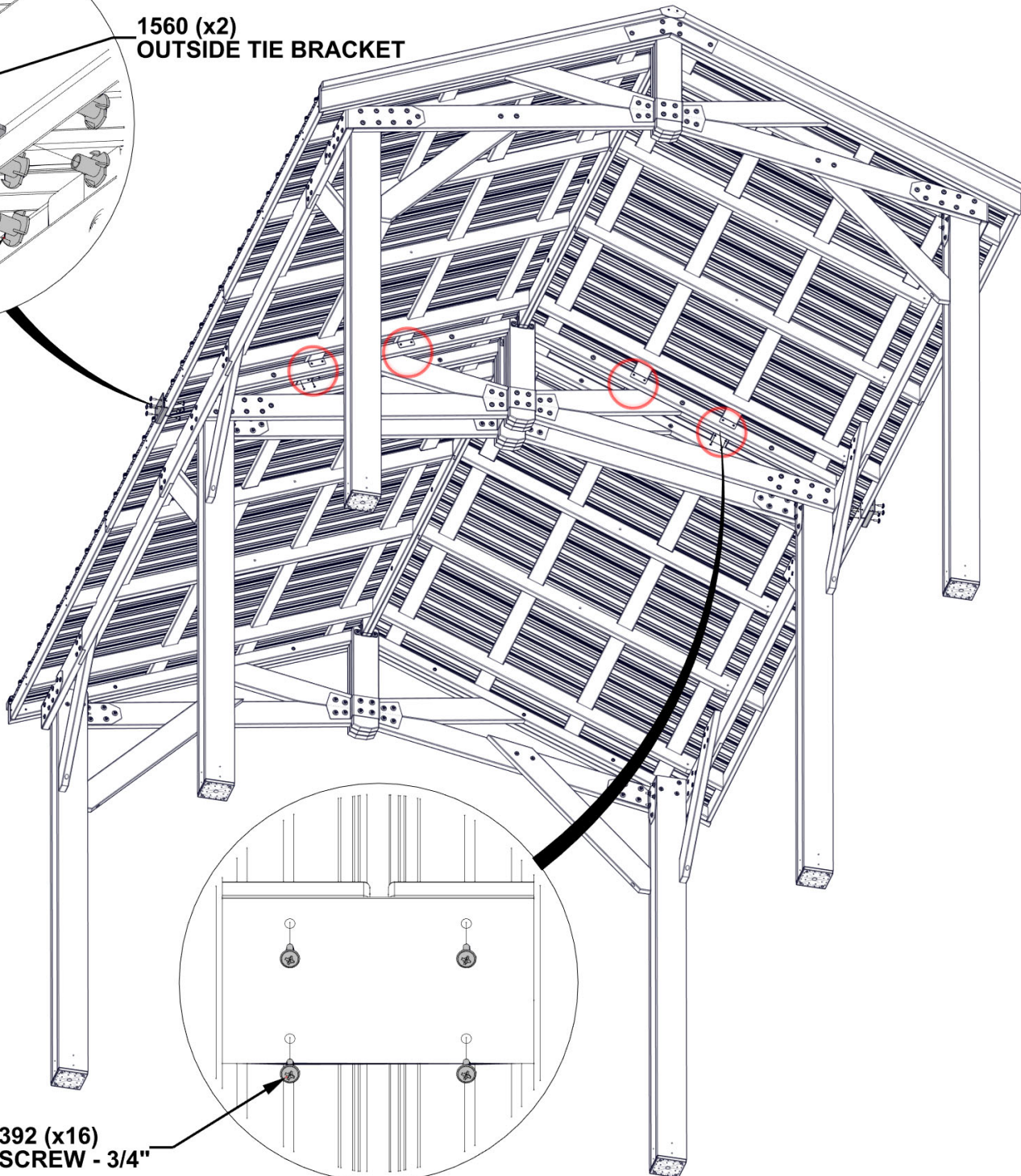
A4M01560 OUTSIDE TIE BRACKET
(x2)



468 (x8)
BOLT - 1"

1560 (x2)
OUTSIDE TIE BRACKET

379 (x8)
T-NUT - 5/16"



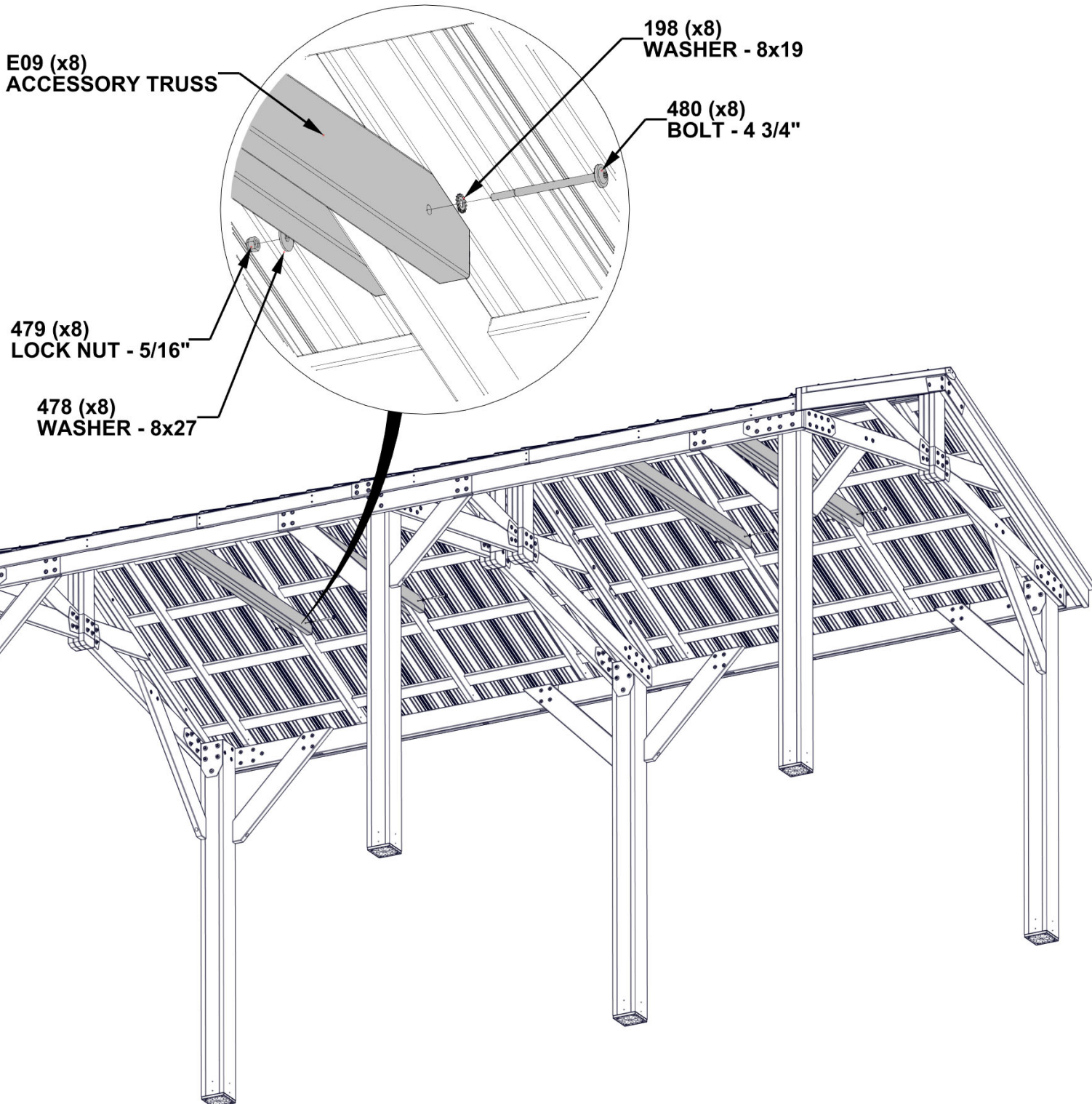
392 (x16)
SCREW - 3/4"

STEP 62 - ROOF ATTACHMENT

QTY	PART NUMBER	DESCRIPTION
8	H100198	WASHER LOCK EXT 8x19
8	H100478	WASHER FLAT 8x27 BLK
8	H100479	NUT LOCK 5/16 BLK
8	H100480	BOLT WH 5/16x4 3/4 BLK

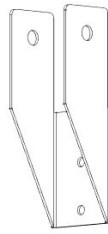


E09 ACCESSORY TRUSS - W4L16756
(x8) 1 3/8"x3 3/8"x73 7/8" (36x86x1875)

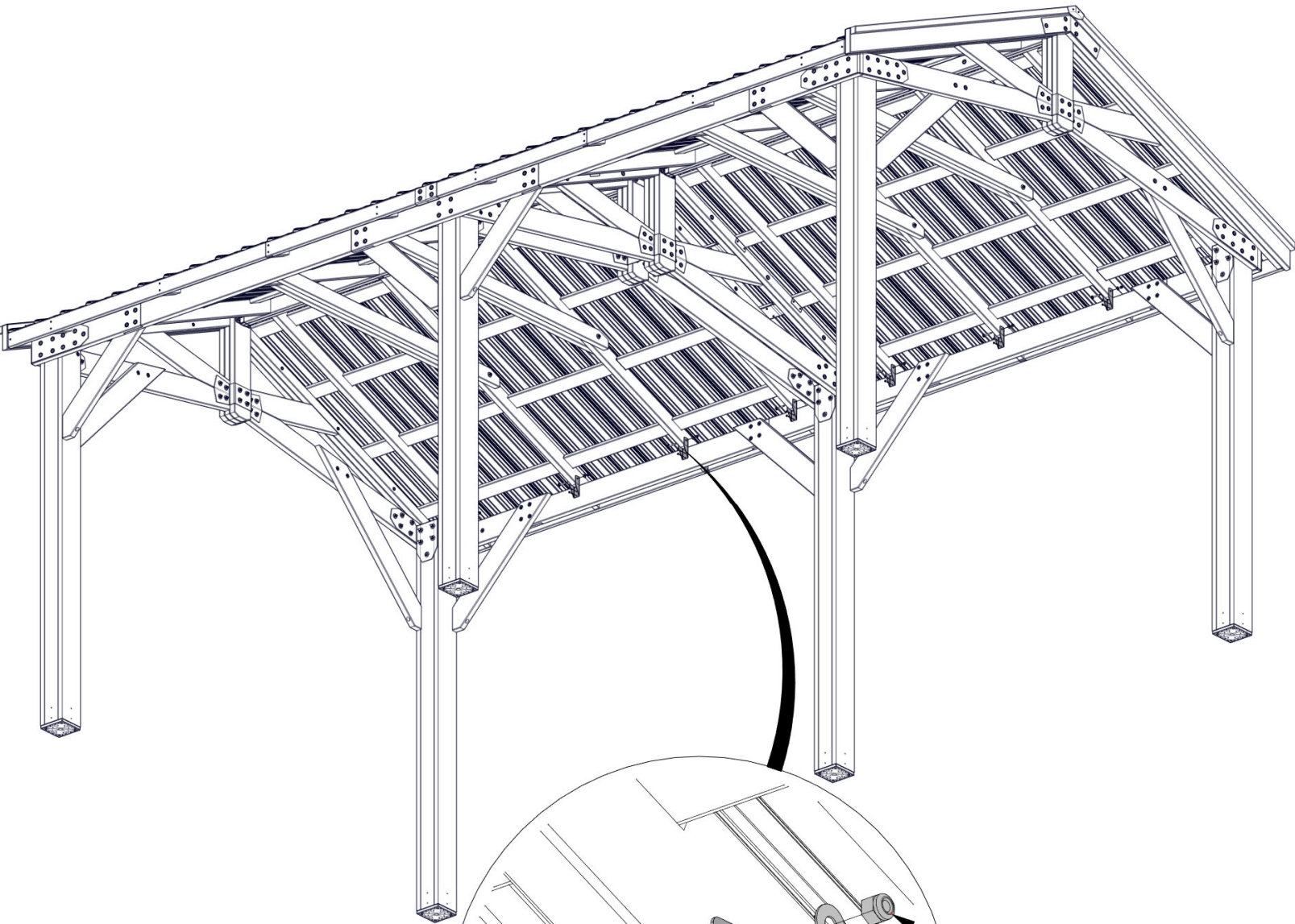


STEP 63 - ROOF ATTACHMENT

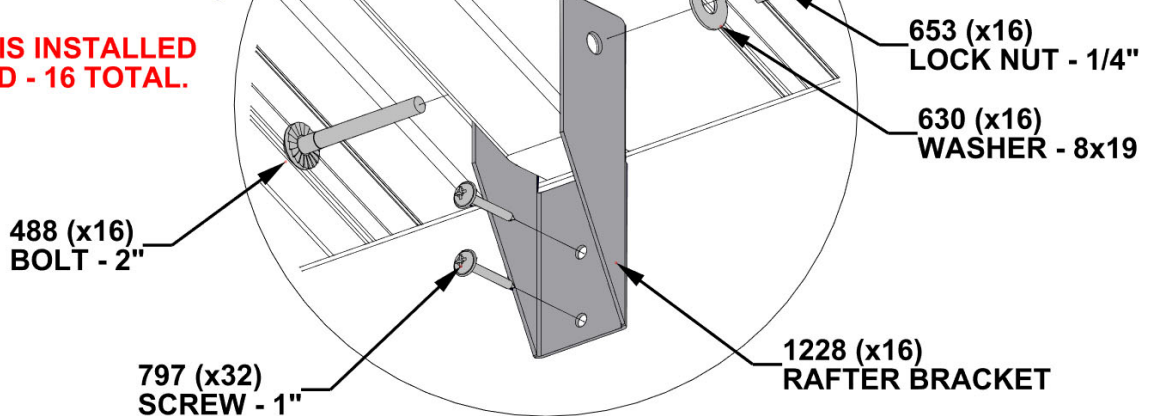
QTY	PART NUMBER	DESCRIPTION
16	H100488	BOLT WH 1/4x2 BLK
16	H100630	WASHER FLAT 8x19 BLK
16	H100653	NUT LOCK 1/4 BLK
32	H100797	SCREW PWH 8x1 BLK



A4M01228 RAFTER BRACKET
(x16)

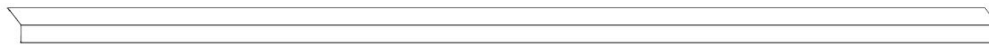


A RAFTER BRACKET IS INSTALLED AT EACH RAFTER END - 16 TOTAL.



STEP 64 - ROOF ATTACHMENT

QTY	PART NUMBER	DESCRIPTION
32	H100759	SCREW SELF TAPPING 1/4x1



A4M01561 ROOF EDGE TRIM
(x8)

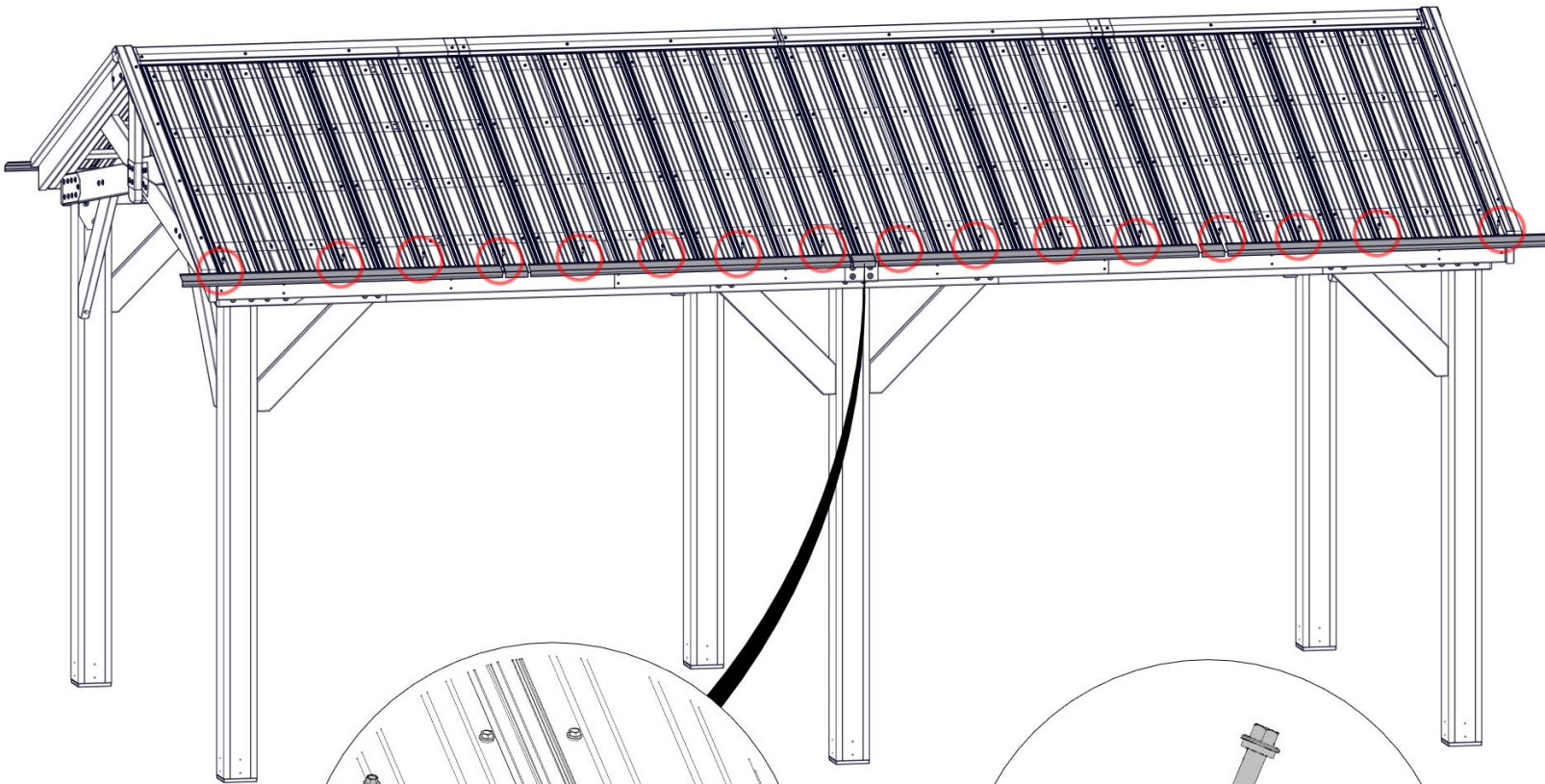
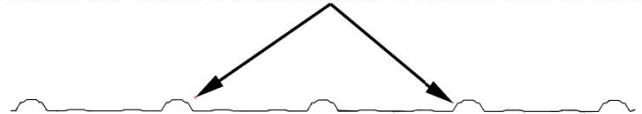


A4M00983 ROOF EDGE TRIM SPLICE
(x6)

COMPLETE ON BOTH SIDES.

SCREWS GO THROUGH EDGE TRIM INTO THE TOP OF THE RIBS IN THE APPROXIMATE LOCATIONS SHOWN.

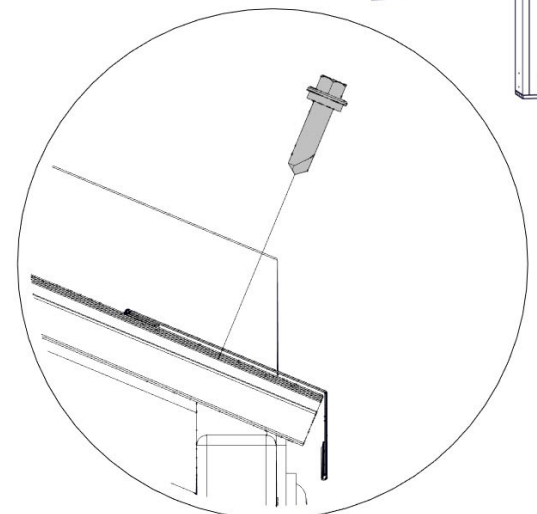
DUE TO MULTIPLE LAYERS OF METAL ON THE EDGE TRIM, IT IS RECOMMENDED THAT A 1/8" DRILL BIT IS USED TO CREATE STARTER HOLES.



759 (x16)
SCREW - 1"

1561 (x4)
ROOF EDGE TRIM

0983 (x3)
ROOF EDGE TRIM SPLICE

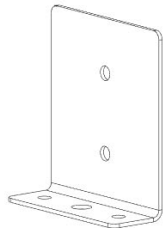


SIDE VIEW

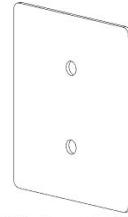
SLIDE TRIM INTO SPLICE ENSURING THAT BOTH ENDS ARE FLUSH WITH THE EDGES OF ROOF PANELS.

STEP 65 - GAZEBO ASSEMBLY

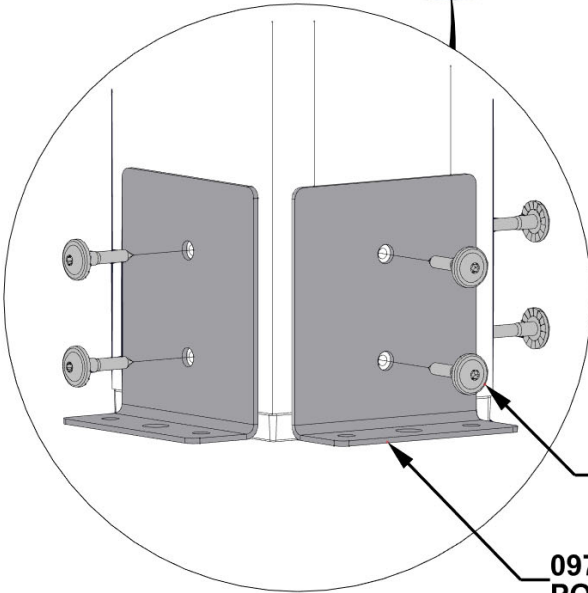
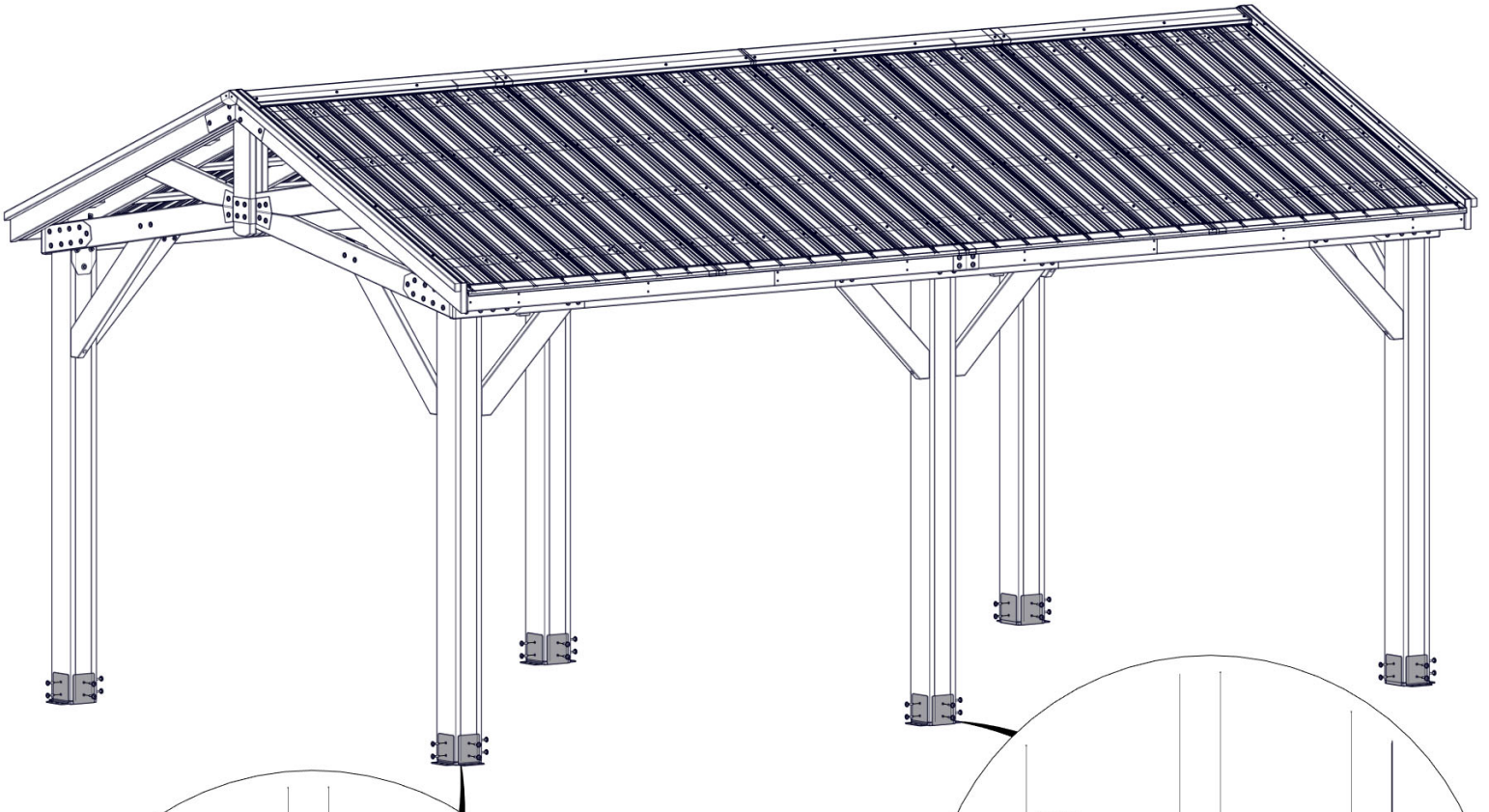
QTY	PART NUMBER	DESCRIPTION
48	H100471	LAG SCREW WH 5/16x1 1/2 BLK



A4M00977 POST ANCHORING PLATE
(x12)

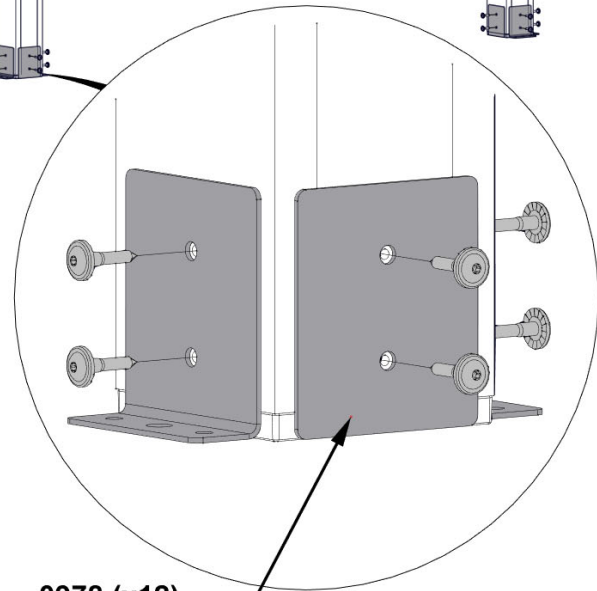


A4M00978 POST PLATE
(x12)



471 (x48)
LAG SCREW - 1 1/2"

0977 (x12)
POST ANCHORING PLATE



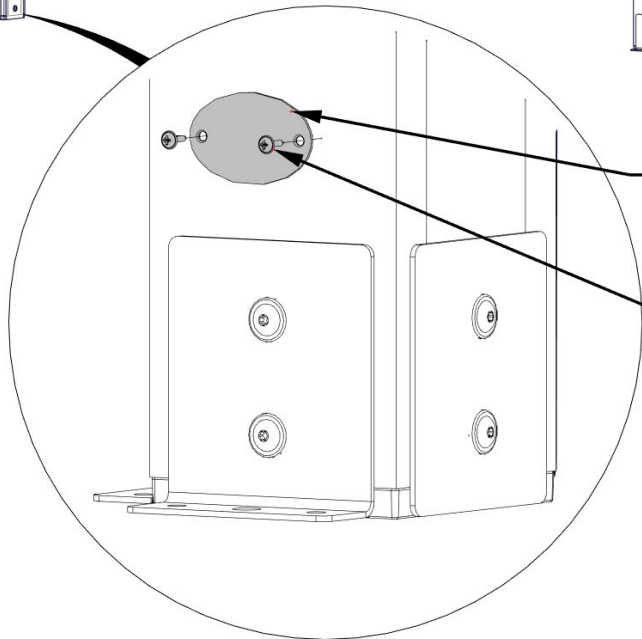
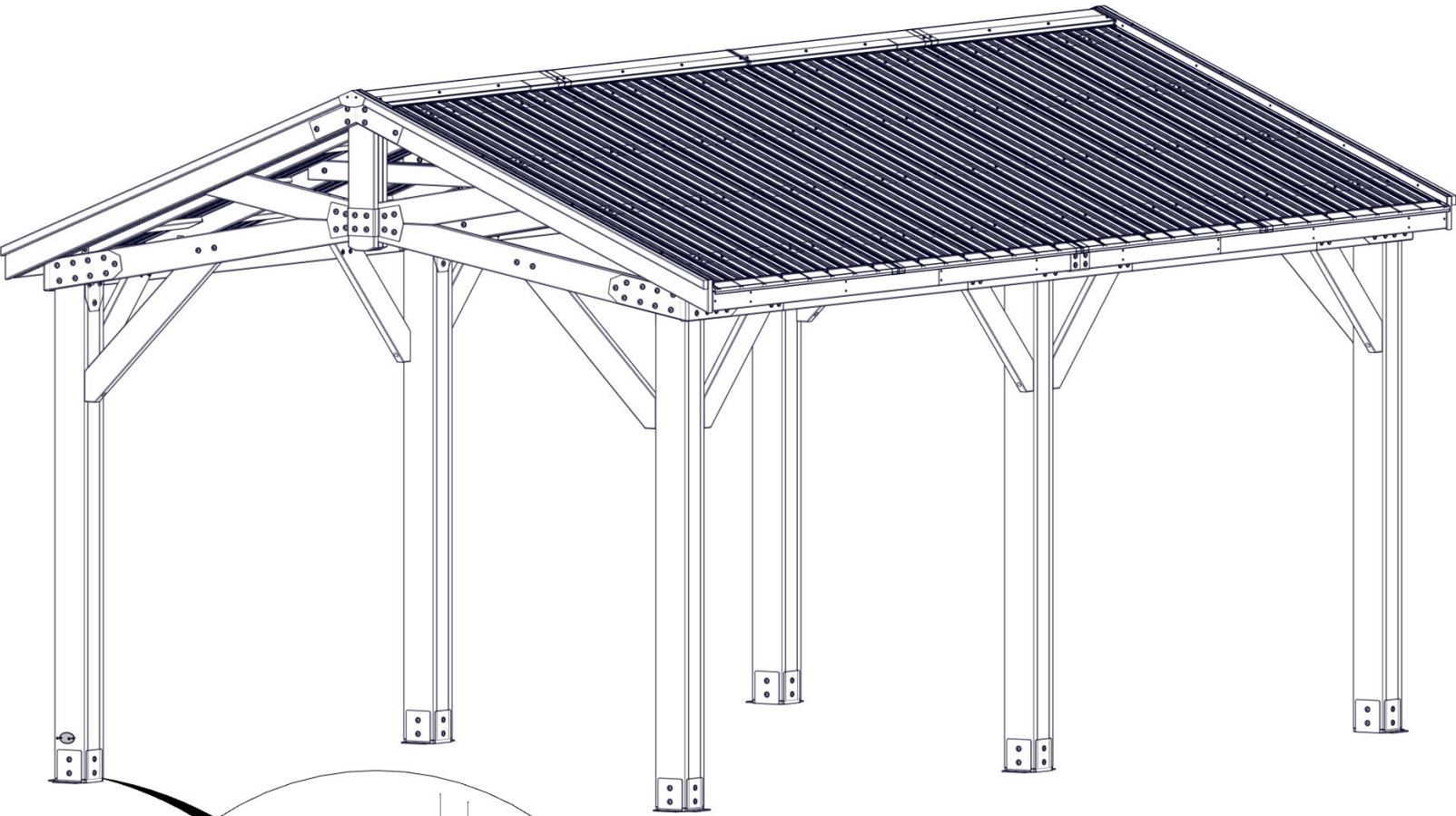
0978 (x12)
POST PLATE

STEP 66 - GAZEBO ASSEMBLY

QTY	PART NUMBER	DESCRIPTION
2	H100202	SCREW PWH 8x5/8 BLK



A100241 ID TAG
(x1)



241 (x1)
ID TAG

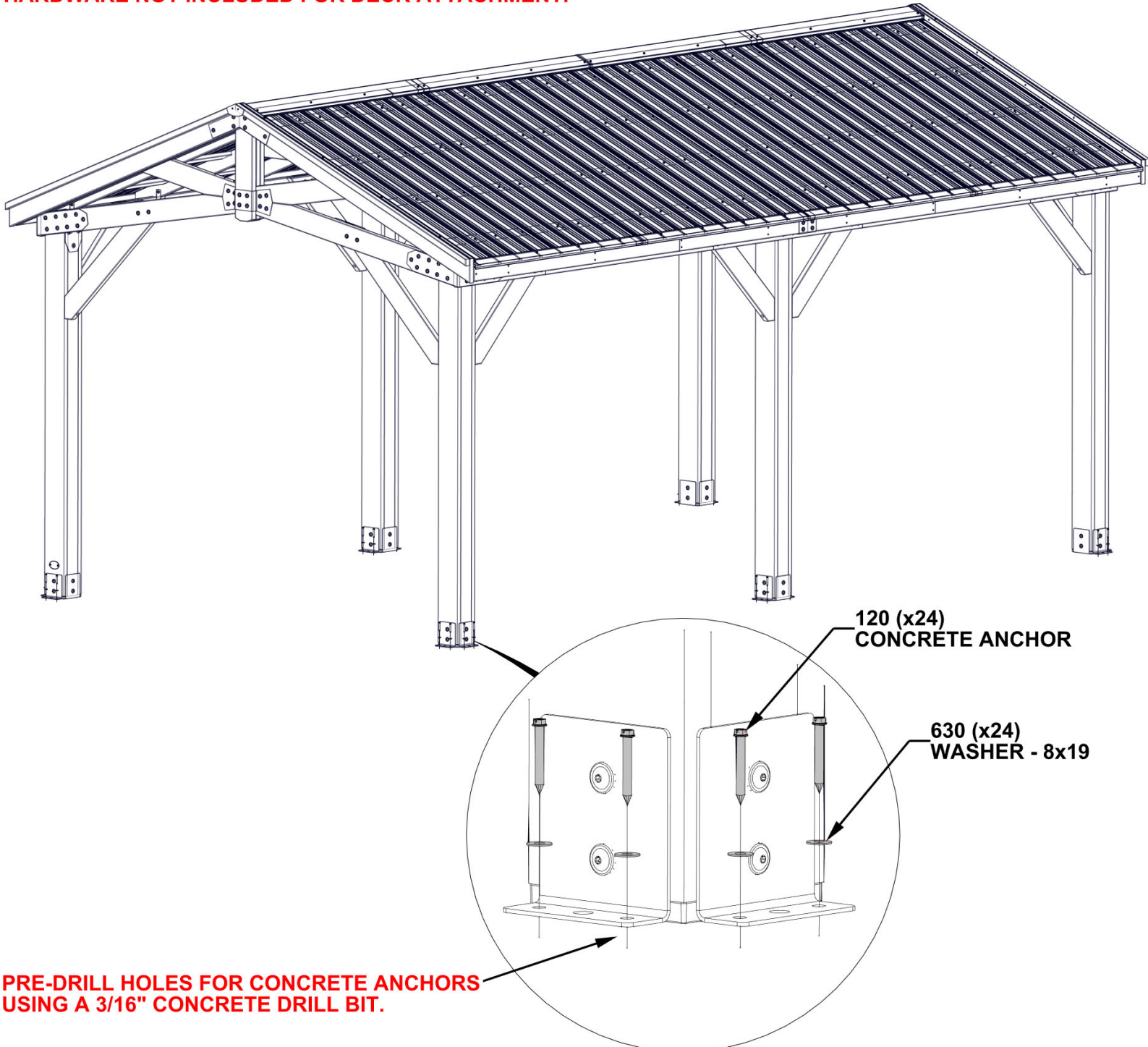
202 (x2)
SCREW - 5/8"

STEP 67 - GAZEBO ASSEMBLY

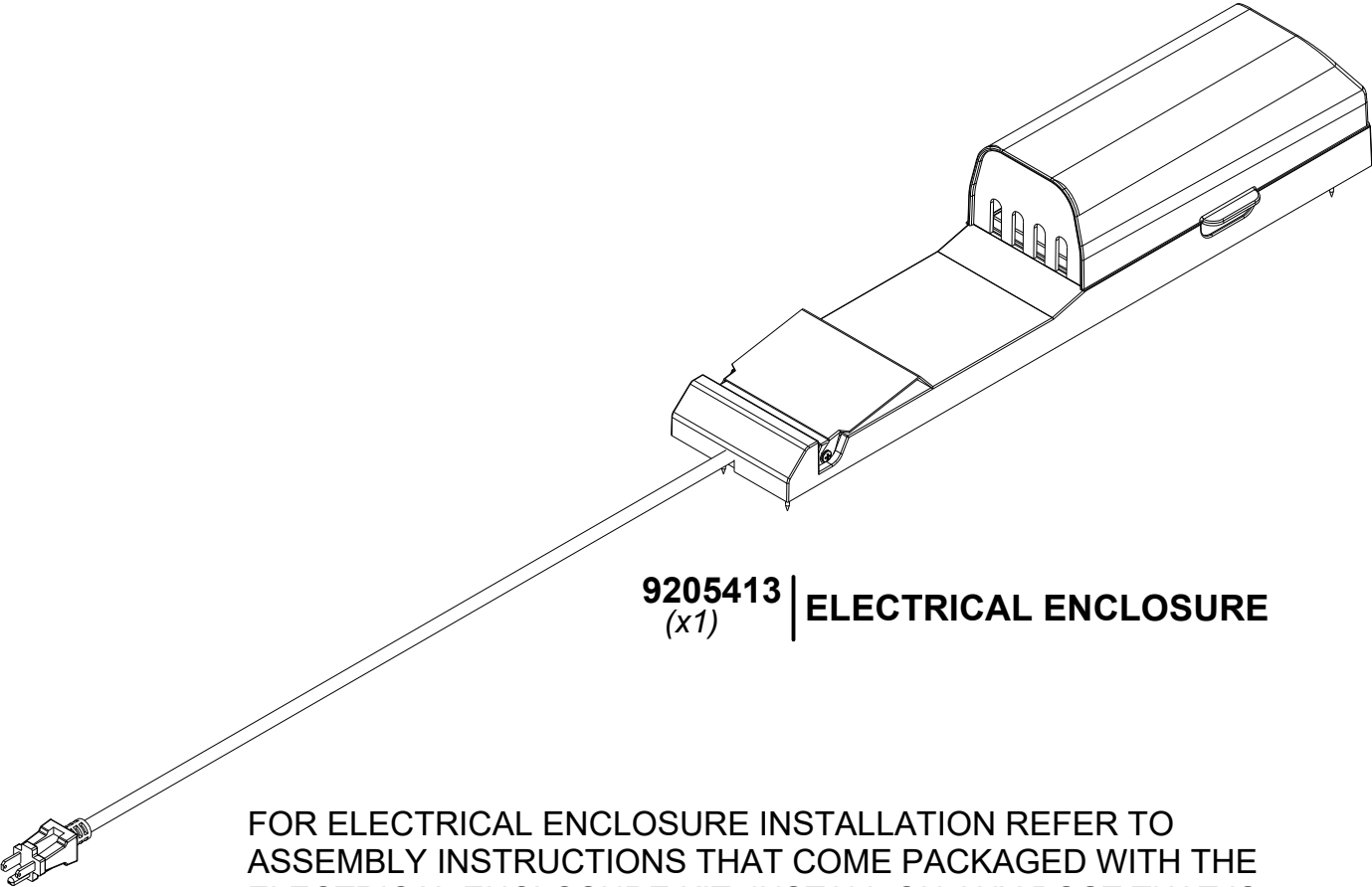
QTY	PART NUMBER	DESCRIPTION
24	H100120	CONCRETE ANCHOR
24	H100630	WASHER FLAT 8x19 BLK

MANUFACTURER RECOMMENDS INSTALLATION ON CONCRETE SURFACE OR CONCRETE POST PAD AS SHOWN BELOW.

FOR INSTALLATION ON WOOD DECK, YOU MUST ENSURE THERE IS AMPLE STRUCTURAL SUPPORT UNDER THE DECK. HARDWARE NOT INCLUDED FOR DECK ATTACHMENT.



ELECTRICAL ENCLOSURE



9205413 | **ELECTRICAL ENCLOSURE**
(x1)

FOR ELECTRICAL ENCLOSURE INSTALLATION REFER TO ASSEMBLY INSTRUCTIONS THAT COME PACKAGED WITH THE ELECTRICAL ENCLOSURE KIT. INSTALL ON ANY POST THAT IS DESIRED. FOLLOW DIRECTIONS FOR PROPER INSTALLATION.